

FLOS

F3005061 White

Glo-Ball Suspension 1

Designed by Jasper Morrison, 1998

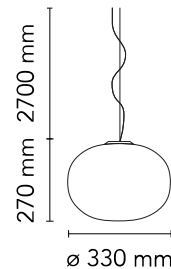


Halogen - 150W

Suspension lamp providing diffused light. Diffuser consisting of an externally acid-etched, hand blown, flashed opaline glass. Gloss white painted pressed steel diffuser support. 30% fiberglass reinforced injection-molded polyamide rose; pressed and galvanized ceiling fitting. Steel suspension cable.

Are you a professional and your project needs consulting and support?

BOOK AN APPOINTMENT



Main specifications

EAN	8059607002193
Mounting	Suspension
Environments	Indoor dry location
Light Source Type	Bulb
Lamp category	Halogen
Lamp holders	E27
Ilcos	HSGS
Number of heads	1
Power (W)	150

Physical

Colour	White
Cord length (mm)	2700
Canopy dimension (mm)	36
Canopy width (mm)	146
Net weight (kg)	2.55
Package volume (m3)	0.07
IP internal	20

Download

Mounting instructions [↓ PDF](#)

Spare Parts [↓ PDF](#)

Photometric Files

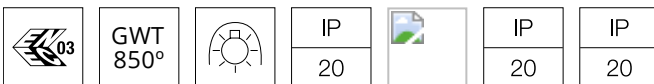
LDT / IES [↓ LDT](#)

Technical Drawings

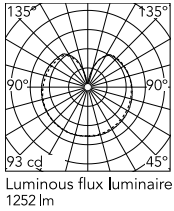
2D [↓ ZIP](#)

3D [↓ ZIP](#)

[Bim](#) [↓ ZIP](#)



Schematic light drawing



Photometric

Lighting type	Total
Light distribution	Roto symmetric
Extreme cut off	No

Electrical

Insulation class	I
Frequency (Hz)	50/60
Main voltage (Vac)	220-250
LED voltage Vf (Vdc)	null
Dimmable	Yes
Dimming interface	Remote Dimmable (Dimmer Not Included)
Batteries inside	No

Bulbs



NOT INCLUDED

RF32288

LED Lamp E27 15W 2700K T38

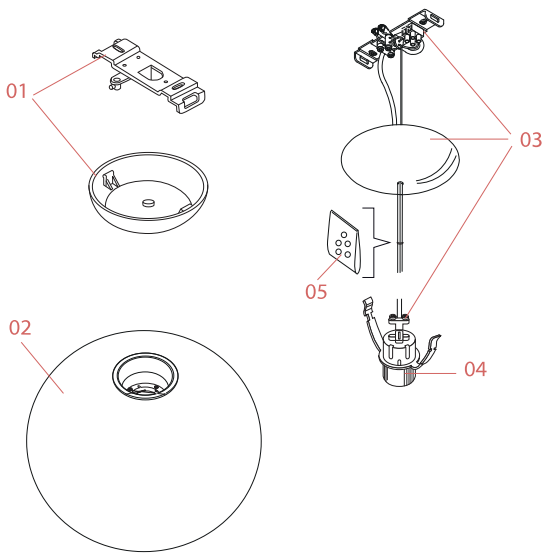


NOT INCLUDED

RF32289

LED Lamp E27 15W 3000K T38

Spare Parts



- | | | |
|-----|-------------------------------------|-----------|
| 01. | White rose assembly | RA3690209 |
| 02. | Glo-Ball 1 white diffuser | F3007061 |
| 03. | Glo-ball electrical wiring assembly | F3006061 |
| 04. | New version lamp holder | RF2500200 |
| 05. | Kit of 5 or rings | RF05382 |

DOWNLOAD



RA3690209

White rose assembly



F3007061

Glo-Ball 1 white diffuser



F3006061

Glo-ball electrical wiring assembly



RF2500200

New version lamp holder



RF05382

Kit of 5 rings