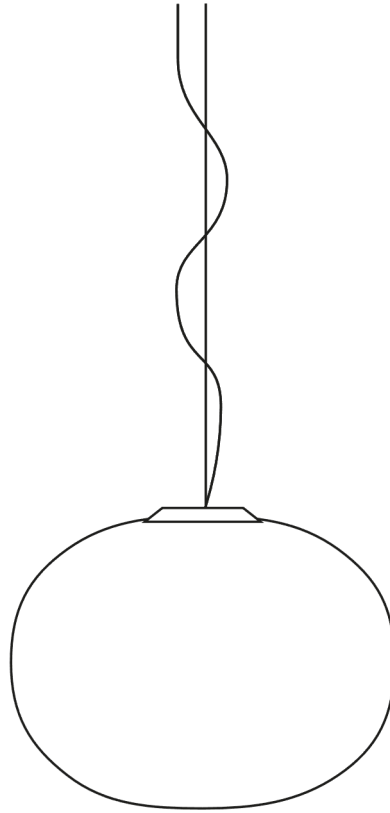


## GLO-BALL S1

Designed by Jasper Morrison, 1998

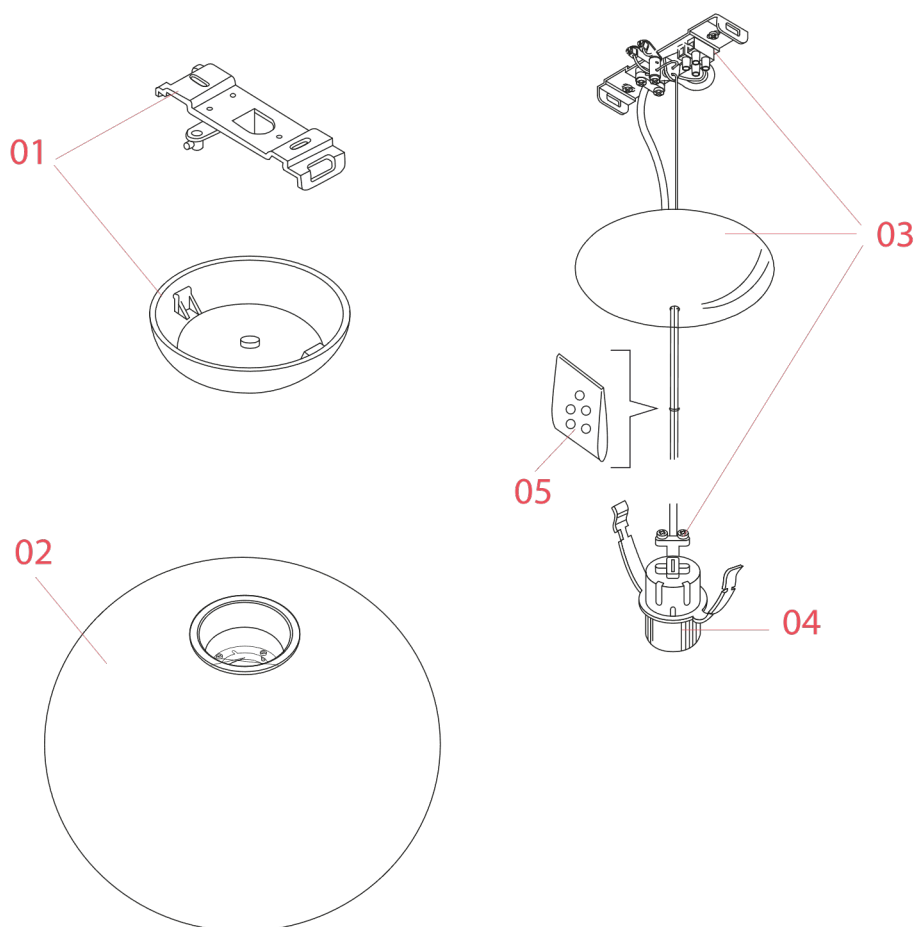
F3005061



## GLO-BALL S1

F3005061

EN



01. RA3690209 – White ceiling rose Assembly

02. F3007061 – White diffuser

03. F3006061 – Electrical wiring assembly

04. RF2500200 – Lamp holder assembly

05. RF05382 – Kit of quantity 5 OR rings

GLO-BALL S1 F3005061

EN

## RA3690209

WHITE CEILING ROSE ASSEMBLY



Chasen  
p.03



Glo-ball  
S1  
p.03



Glo-ball  
S2  
p.03



Skygarden  
1  
p.03



Skygarden  
Small  
p.03



Smithfield S  
p.03



Smithfield  
S Pro  
p.03



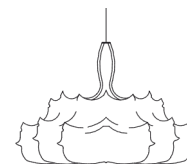
Taraxacum  
S1 Cocoon  
p.03



Taraxacum  
S2 Cocoon  
p.03



Viscontea  
p.03



Zeppelin 1  
p.03

WARNING! When installing and whenever acting on the appliance, ensure that the power supply has been switched off. For the installation of the spare-part, it is necessary to consult a qualified electrician.

GLO-BALL S1 F3005061

EN

## RA3690209

WHITE CEILING ROSE ASSEMBLY

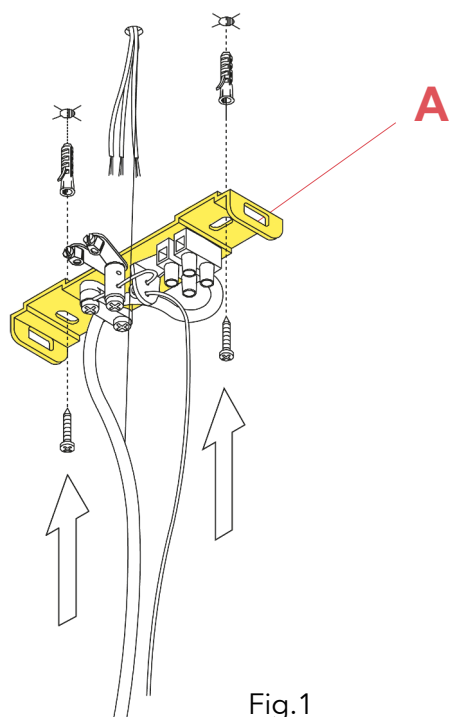


Fig.1

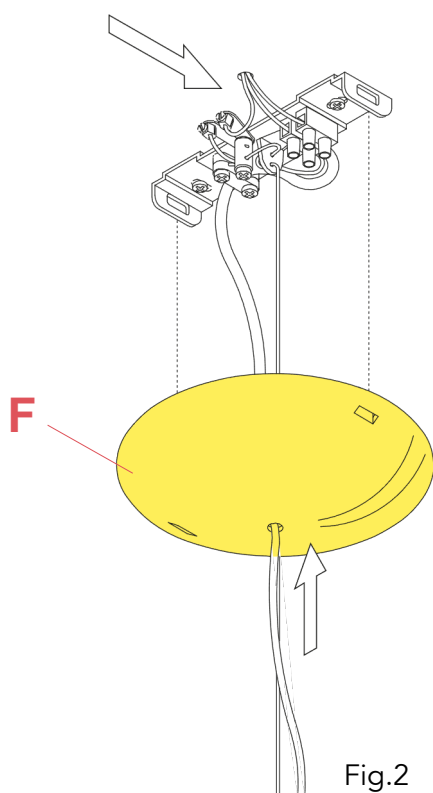


Fig.2

Fix the wall fixture (A) with the appropriate expansion bolts. **NOTE:** Select and employ screw anchors which are suited to the surface where the appliance is to be installed.

Connect the power cable to the terminal box (not supplied with the spare-part). Mount the ceiling-rose (F).

**WARNING!** When installing and whenever acting on the appliance, ensure that the power supply has been switched off. For the installation of the spare-part, it is necessary to consult a qualified electrician.



GLO-BALL S1 F3005061

EN

**F3007061**

WHITE DIFFUSER



WARNING! When installing and whenever acting on the appliance, ensure that the power supply has been switched off.  
For the installation of the spare-part, it is necessary to consult a qualified electrician.

## F3007061

WHITE DIFFUSER

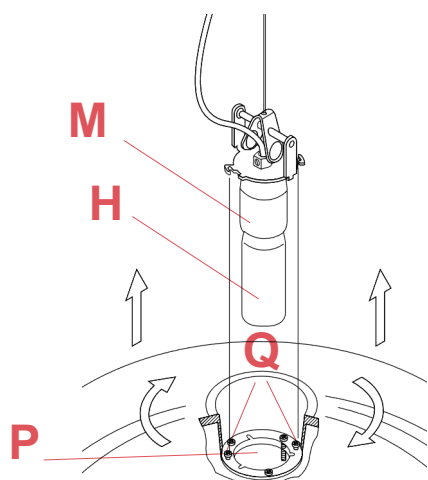


Fig.1

Insert the bulb (H) into the bulb socket (M).  
Insert the bulb socket and bulb into the correct seat (P) of the diffuser, fasten the bulb socket by tightening the screws (Q).

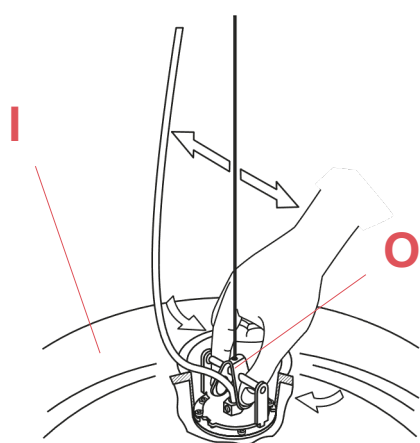


Fig.2

To balance the diffuser (I), act on the spring (O).

WARNING! When installing and whenever acting on the appliance, ensure that the power supply has been switched off.  
For the installation of the spare-part, it is necessary to consult a qualified electrician.

GLO-BALL S1 F3005061

EN

**F3006061**

ELECTRICAL WIRING ASSEMBLY



WARNING! When installing and whenever acting on the appliance, ensure that the power supply has been switched off.  
For the installation of the spare-part, it is necessary to consult a qualified electrician.

GLO-BALL S1 F3005061

EN

## F3006061

ELECTRICAL WIRING ASSEMBLY

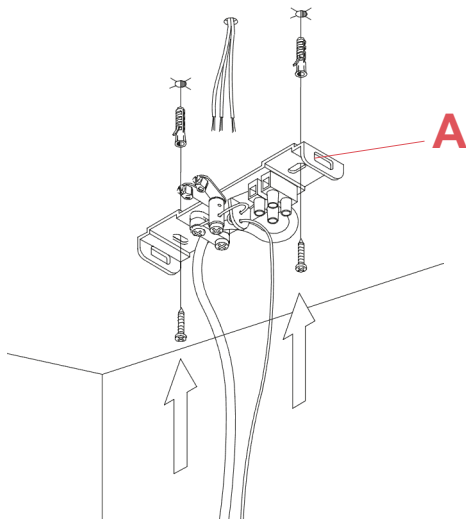


Fig.1

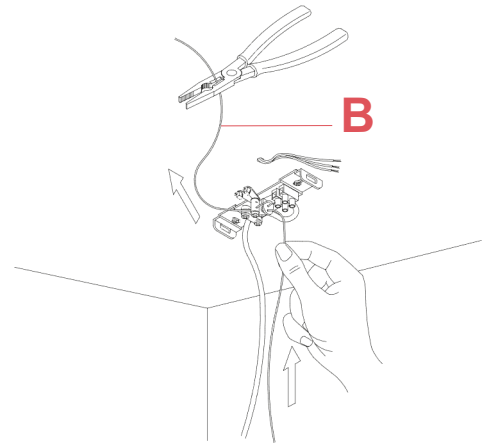


Fig.2

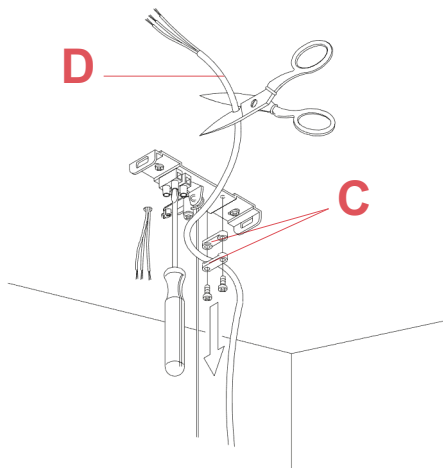


Fig.3

Fix the wall fixture (A) with the appropriate expansion bolts. **NOTE:** Select and employ screw anchors which are suited to the surface where the appliance is to be installed.(Fig.1)

Cut the steel cable (B) at the desired height.(Fig.2)

Detach the cable-block (C), disconnect the feed cable (D) and cut it at the height desired.(Fig.3)

**WARNING!** When installing and whenever acting on the appliance, ensure that the power supply has been switched off. For the installation of the spare-part, it is necessary to consult a qualified electrician.

**F3006061**

ELECTRICAL WIRING ASSEMBLY

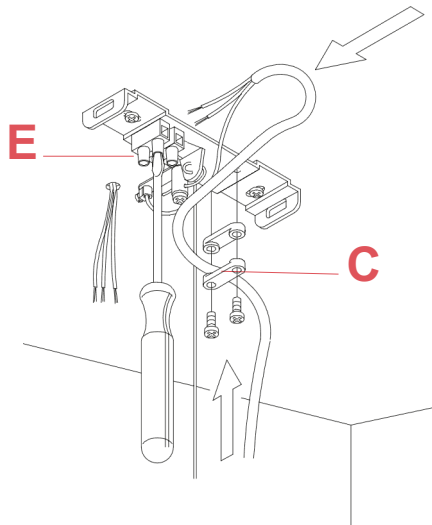


Fig.4

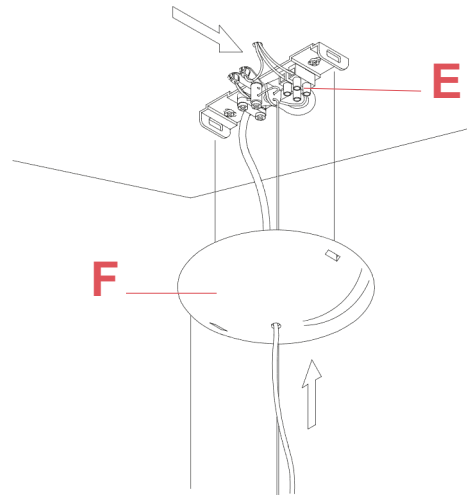


Fig.5

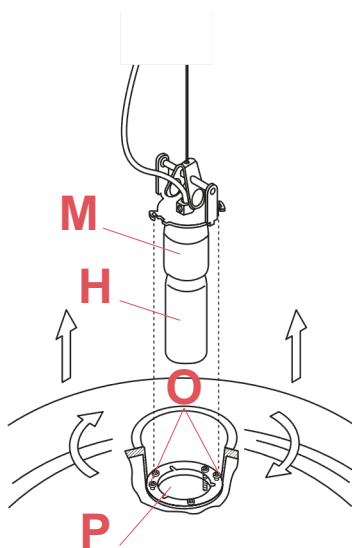


Fig.6

Mount the cable-block (C) and carry out the wiring to the terminal block (E).(Fig.4)

Connect the power cable to the terminal block (E) and earthing. Mount the ceiling-rose (F).(Fig.5)

Insert the bulb (H) into the bulb socket (M). Insert the bulb socket and bulb into the correct seat (P) of the diffuser, fasten the bulb socket by tightening the screws (Q).(Fig.6)

WARNING! When installing and whenever acting on the appliance, ensure that the power supply has been switched off. For the installation of the spare-part, it is necessary to consult a qualified electrician.

## F3006061

### ELECTRICAL WIRING ASSEMBLY

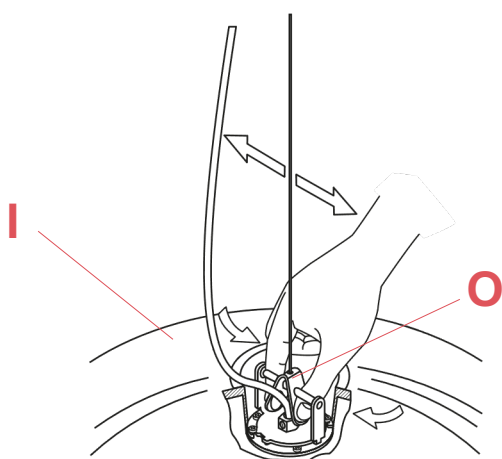


Fig.7

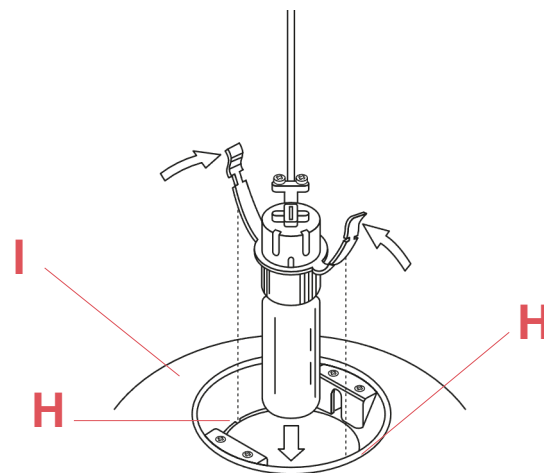


Fig.8

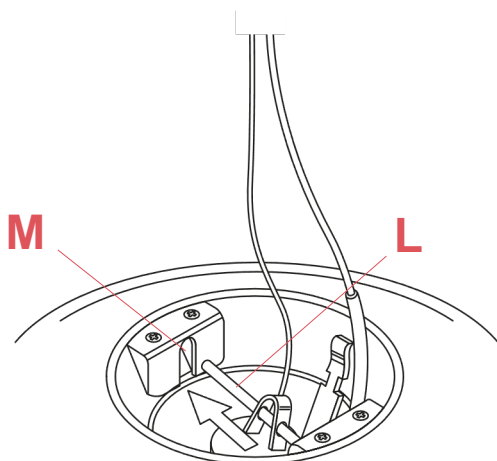


Fig.9

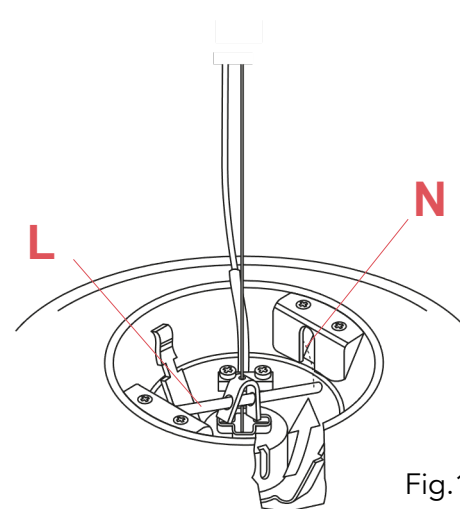


Fig.10

- To balance the diffuser (I), act on the spring (O).(Fig.7)
- Insert the bulb. Insert the bulb-holder in its housing (H) in the diffuser (I).(Fig.8)
- Insert the rod (L) in the housing (M).(Fig.9)
- Hook the rod (L) into the housing (N), up to the blocking "click".(Fig.10)
- To balance the diffuser (I), act on the spring (O).(Fig.7)

WARNING! When installing and whenever acting on the appliance, ensure that the power supply has been switched off.  
For the installation of the spare-part, it is necessary to consult a qualified electrician.

GLO-BALL S1 F3005061

EN

## RF2500200

LAMP HOLDER ASSEMBLY



Frisbi  
p.15



Glo-ball  
Basic 1  
p.08



Glo-ball  
Basic 2  
p.08



Glo-ball  
C1  
p.05



Glo-ball  
C2  
p.05



Glo-ball  
F1  
p.09



Glo-ball  
F2  
p.09



Glo-ball  
F3  
p.09



Glo-ball  
S1  
p.05



Glo-ball  
T1  
p.05

WARNING! When installing and whenever acting on the appliance, ensure that the power supply has been switched off.  
For the installation of the spare-part, it is necessary to consult a qualified electrician.

GLO-BALL S1 F3005061

EN

## RF2500200

LAMP HOLDER ASSEMBLY

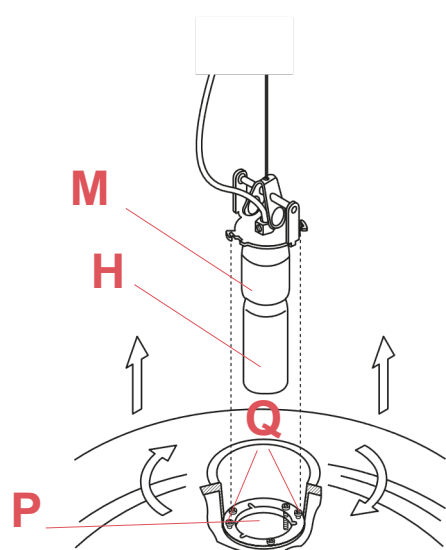


Fig.1

Remove the white glass diffuser.  
It is necessary to ask somebody to hold the glass diffuser.  
Loosen without removing the 2 screws (Q), unlock the lamp-holder assembly and the lamp-bulb (H) from the lamp holder (M).

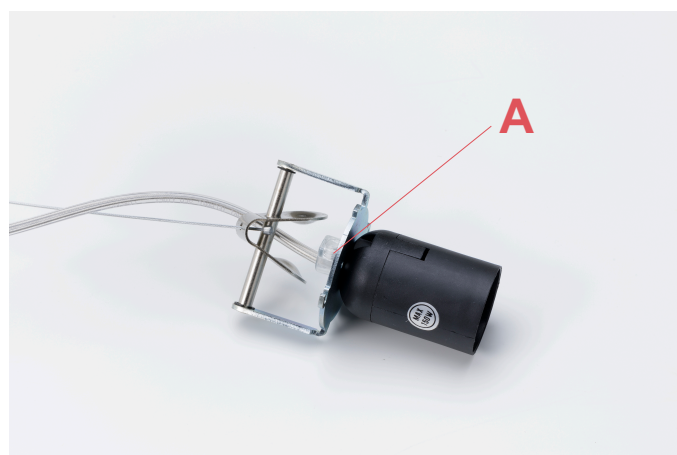


Fig.2

Loosen without removing the screw of the cable clamp (A).

WARNING! When installing and whenever acting on the appliance, ensure that the power supply has been switched off.  
For the installation of the spare-part, it is necessary to consult a qualified electrician.



**GLO-BALL S1** F3005061

**EN**

## **RF2500200** LAMP HOLDER ASSEMBLY



Fig.3

Remove the lamp holder.



Fig.4

Insert a flat headed screw driver inside the opening of the lateral clamp and unhook the lamp holder (M) from the support. Repeat the same operation also for the opposite side.

**WARNING!** When installing and whenever acting on the appliance, ensure that the power supply has been switched off. For the installation of the spare-part, it is necessary to consult a qualified electrician.

**GLO-BALL S1** F3005061

**EN**

## **RF2500200** LAMP HOLDER ASSEMBLY



Fig.5

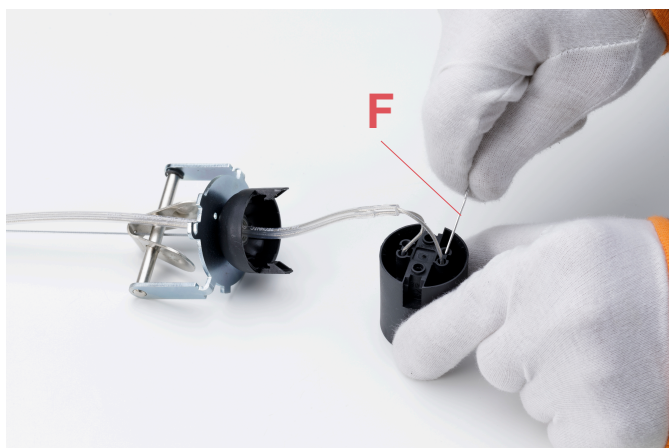


Fig.6

Remove the lamp holder from its support and disconnect the electrical wires by pressing the push terminals with a paper clip (F) or something similar.

**WARNING!** When installing and whenever acting on the appliance, ensure that the power supply has been switched off. For the installation of the spare-part, it is necessary to consult a qualified electrician.

GLO-BALL S1 F3005061

EN

## RF2500200

LAMP HOLDER ASSEMBLY

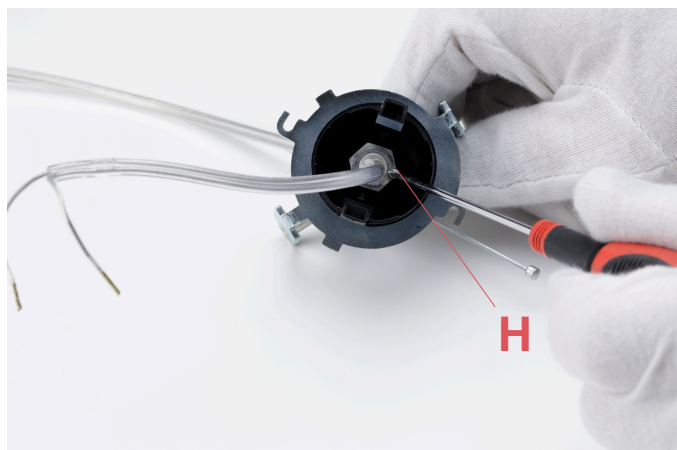


Fig.7

Unfasten the locking screw (H) by utilizing a tiny flat headed screw driver.



Fig.8

Remove the lamp holder support by unfastening it from the assembly.

WARNING! When installing and whenever acting on the appliance, ensure that the power supply has been switched off. For the installation of the spare-part, it is necessary to consult a qualified electrician.

GLO-BALL S1 F3005061

EN

**RF2500200**

LAMP HOLDER ASSEMBLY



Fig.9

Assemble now the new spare-part:

Tighten the lamp holder support (I) onto the assembly and then fasten the locking screw (H) by utilizing a flat headed screw driver. Insert the isolator (F).

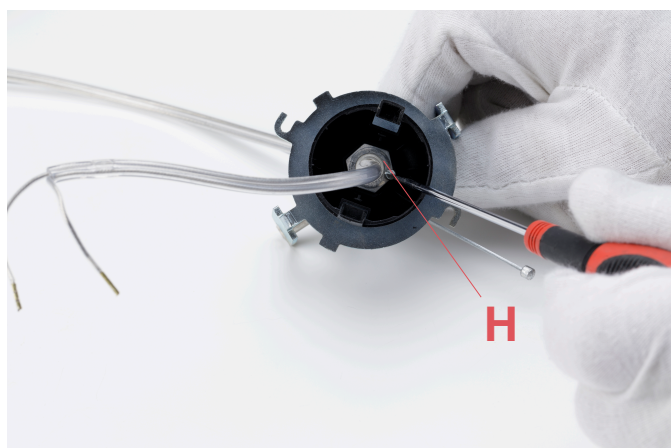


Fig.10

Connect the electrical wires to the lamp holder by utilizing always the paper clip. Connect the transparent Brown "L" (live) wire in the terminal that corresponds (opposite side) to the centre brass contact of the lamp holder and then connect the transparent Blue "N" (neutral) wire in the other terminal.

N.B. The electrical wires are connected by pushing the wires inside the terminals, therefore it is necessary to verify that they are connected properly.

WARNING! When installing and whenever acting on the appliance, ensure that the power supply has been switched off. For the installation of the spare-part, it is necessary to consult a qualified electrician.

GLO-BALL S1 F3005061

EN

## RF2500200

LAMP HOLDER ASSEMBLY

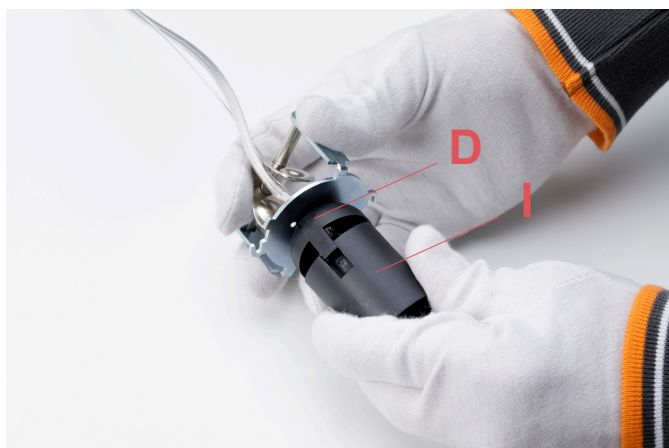


Fig.11

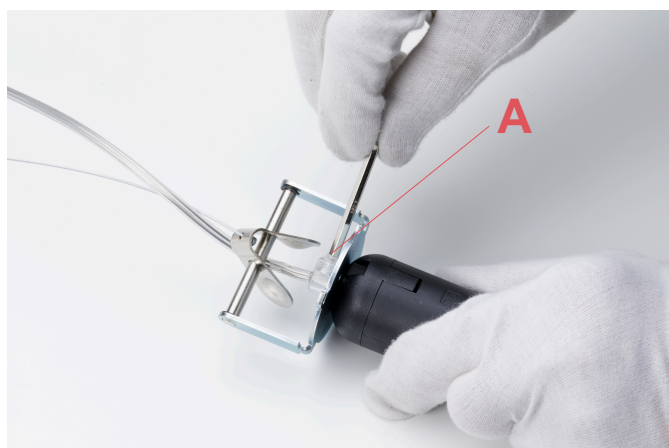


Fig.12

Hook the lamp holder (D) on the support (I).

Fasten the screw of the cable clamp (A).

Insert the lamp-bulb (H) into the lamp holder (M). Insert the lamp holder assembly with lamp-bulb in the diffuser opening (P), fasten the lamp holder assembly by tightening the screws (Q).(Fig.1 page 12)

WARNING! When installing and whenever acting on the appliance, ensure that the power supply has been switched off.  
For the installation of the spare-part, it is necessary to consult a qualified electrician.



**GLO-BALL S1** F3005061

**EN**

## RF05382

KIT OF QUANTITY 5 OR RINGS



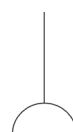
Glo-ball  
S1  
p.18



Glo-ball  
S2  
p.17



Skygarden  
1  
p.08



Skygarden  
2  
p.08



Skygarden  
Small  
p.08



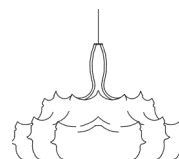
Smithfield  
S  
p.05



Smithfield  
S Pro  
p.05



Tatou  
S2  
p.11



Zeppelin 1  
p.05

WARNING! When installing and whenever acting on the appliance, ensure that the power supply has been switched off. For the installation of the spare-part, it is necessary to consult a qualified electrician.