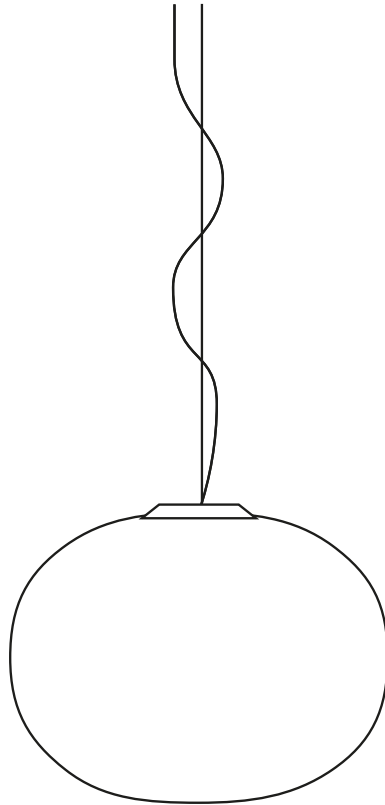


GLO-BALL S2

Designed by Jasper Morrison, 1998

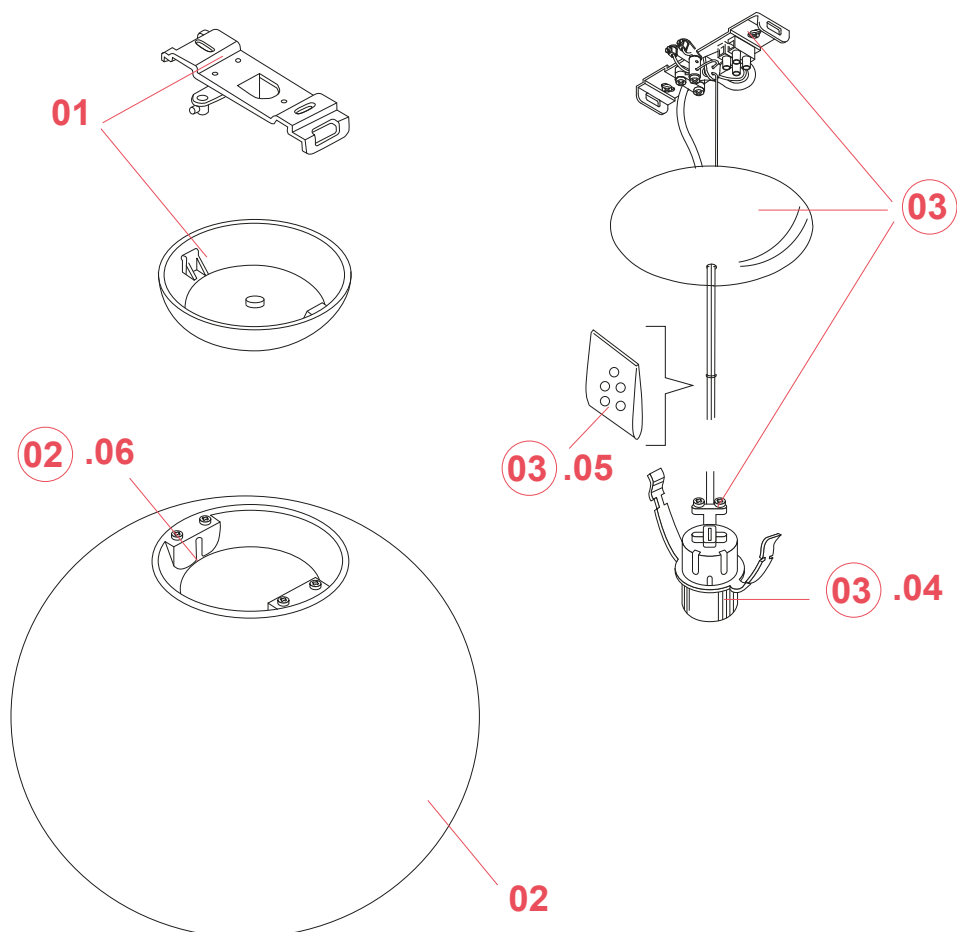
F3010061



GLO-BALL S2

F3010061

EN



- 01. RA3690209** – Rose Assembly
- 02. F3015061** – White diffuser
- 03. A2512000** – Electrical wiring assembly
- 04. RF04322** – BJB E27 Lamp holder
- 05. RF05382** – Kit of quantity 5 OR rings
- 06. RF09514** – Ring nut assembly for diffuser 2

GLO-BALL S2 F3010061

EN

RA3690209

ROSE ASSEMBLY



Chasen
p.03



Glo-ball
S1
p.03



Glo-ball
S2
p.03



Skygarden
1
p.03



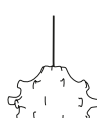
Skygarden
Small
p.03



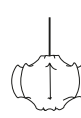
Smithfield
S Pro
p.03



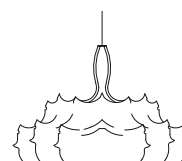
Taraxacum
S1 Cocoon
p.03



Taraxacum
S2 Cocoon
p.03



Viscontea
p.03



Zeppelin 1
p.03

WARNING! When installing and whenever acting on the appliance, ensure that the power supply has been switched off.
For the installation of the spare-part, it is necessary to consult a qualified electrician.

GLO-BALL S2 F3010061

EN

RA3690209

ROSE ASSEMBLY

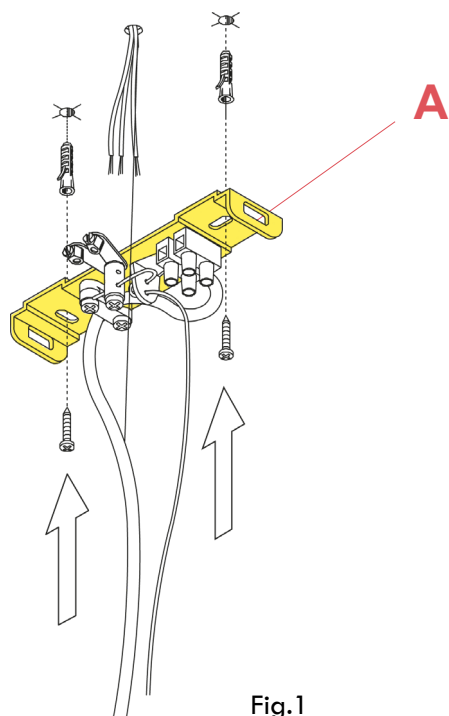


Fig.1

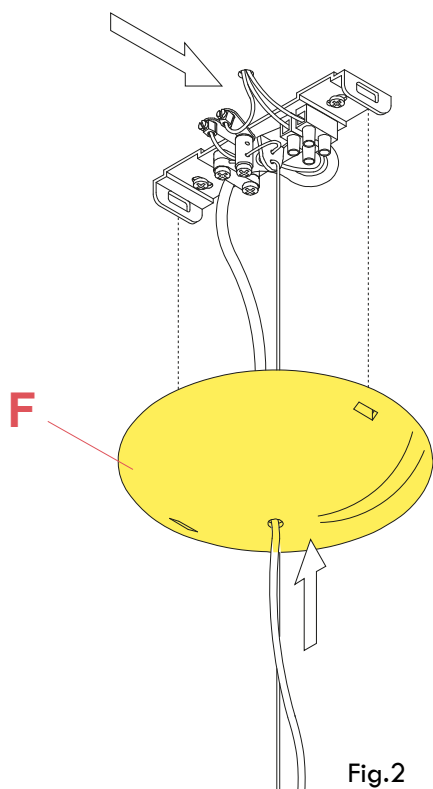


Fig.2

Fix the wall fixture (A) with the appropriate expansion bolts. **NOTE:** Select and employ screw anchors which are suited to the surface where the appliance is to be installed.

Connect the power cable to the terminal box (not supplied with the spare-part). Mount the ceiling-rose (F).

WARNING! When installing and whenever acting on the appliance, ensure that the power supply has been switched off. For the installation of the spare-part, it is necessary to consult a qualified electrician.

GLO-BALL S2 F3010061

EN

F3015061

WHITE DIFFUSER



WARNING! When installing and whenever acting on the appliance, ensure that the power supply has been switched off.
For the installation of the spare-part, it is necessary to consult a qualified electrician.

GLO-BALL S2 F3010061

EN

F3015061

WHITE DIFFUSER

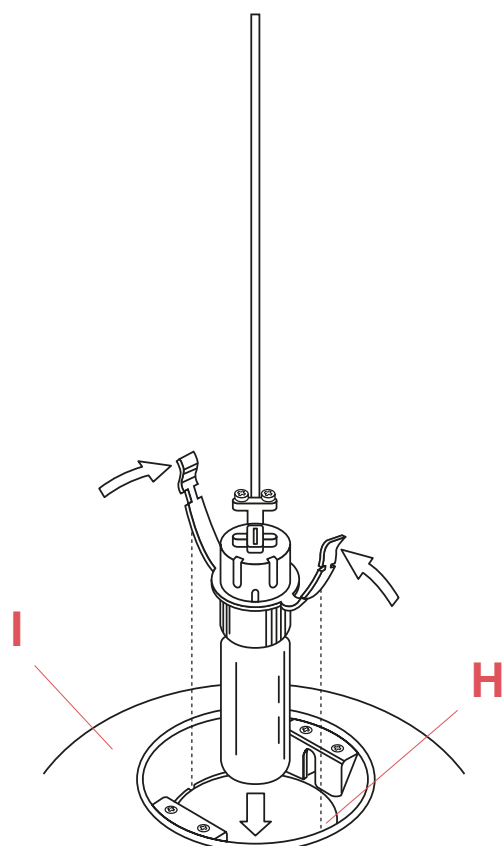


Fig.1

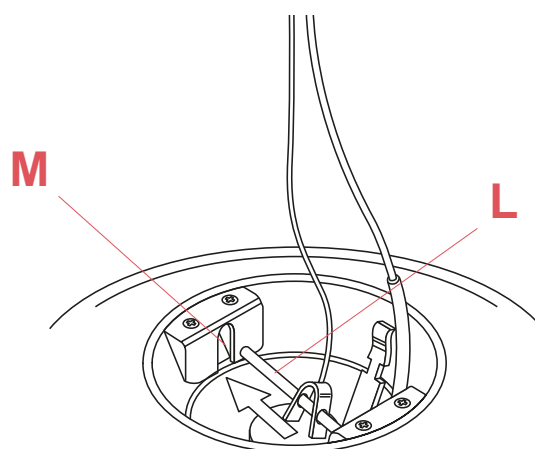


Fig.2

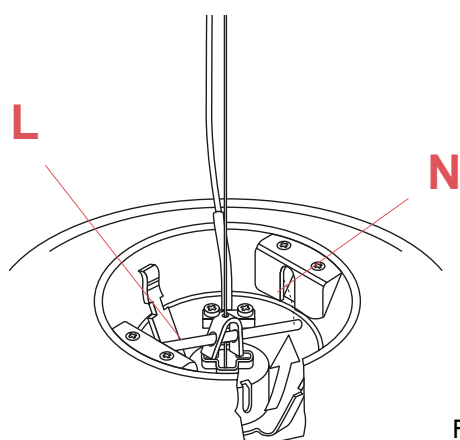


Fig.3

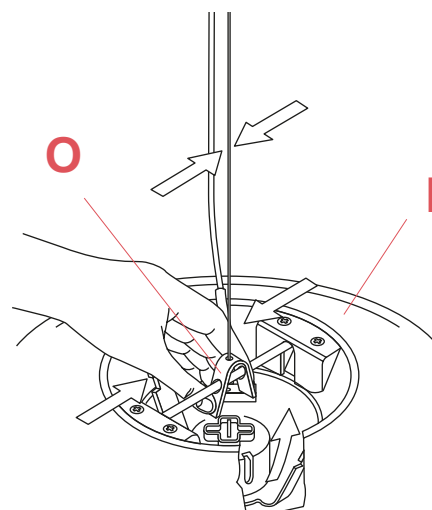


Fig.4

Insert the bulb. Insert the bulb-holder in its housing (H) in the diffuser (I). (fig.1)

Insert the rod (L) in the housing (M). (fig.2)

Hook the rod (L) into the housing (N), until it locks “clicks – in”. (fig.3)

To balance the diffuser (I), regulate the spring (O) on the horizontal axis. (fig.4)

WARNING! When installing and whenever acting on the appliance, ensure that the power supply has been switched off.
For the installation of the spare-part, it is necessary to consult a qualified electrician.

GLO-BALL S2 F3010061

EN

A2512000

ELECTRICAL WIRING ASSEMBLY



WARNING! When installing and whenever acting on the appliance, ensure that the power supply has been switched off.
For the installation of the spare-part, it is necessary to consult a qualified electrician.

©2021 Flos - All rights reserved - www.flos.com
Flos reserves the right to introduce any changes to its own models, without prior notice.

GLO-BALL S2 F3010061

EN

A2512000

ELECTRICAL WIRING ASSEMBLY

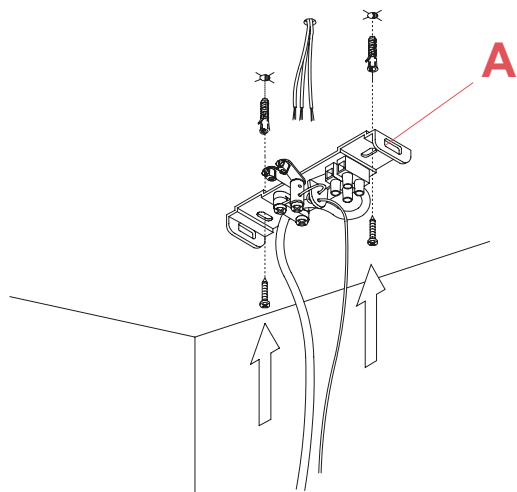


Fig.1

Fix the wall fixture (A) with the appropriate expansion bolts.

NOTE: Select and employ screw anchors which are suited to the surface where the appliance is to be installed.

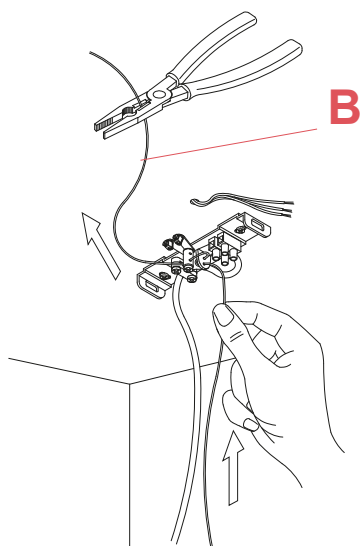


Fig.2

Cut the steel cable (B) at the desired height.

WARNING! When installing and whenever acting on the appliance, ensure that the power supply has been switched off. For the installation of the spare-part, it is necessary to consult a qualified electrician.

A2512000

ELECTRICAL WIRING ASSEMBLY

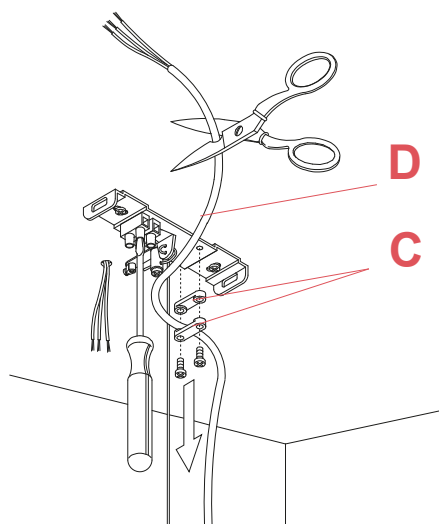


Fig.3

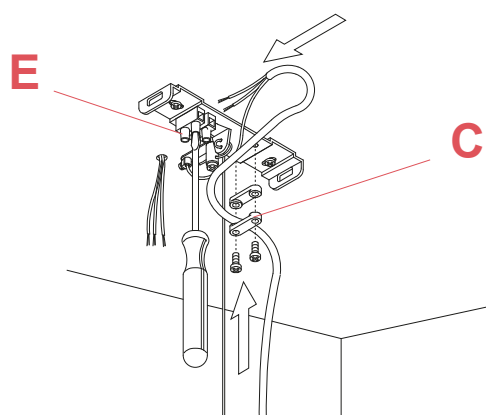


Fig.4

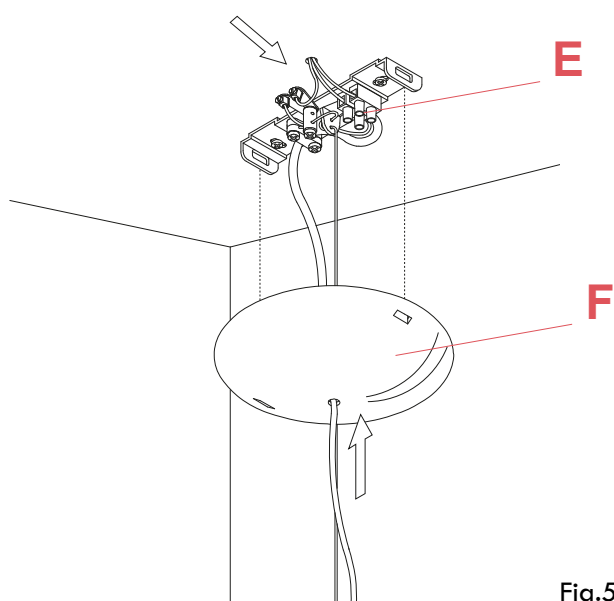


Fig.5

Detach the cable-block (C). Disconnect the feed cable (D) and cut it at the height desired.

Mount the cable block (C) and carry out the wiring to the terminal block (E).

Connect the power cable to the terminal block (E) and earthing. Mount the ceiling-rose (F).

WARNING! When installing and whenever acting on the appliance, ensure that the power supply has been switched off. For the installation of the spare-part, it is necessary to consult a qualified electrician.

GLO-BALL S2 F3010061

EN

A2512000

ELECTRICAL WIRING ASSEMBLY

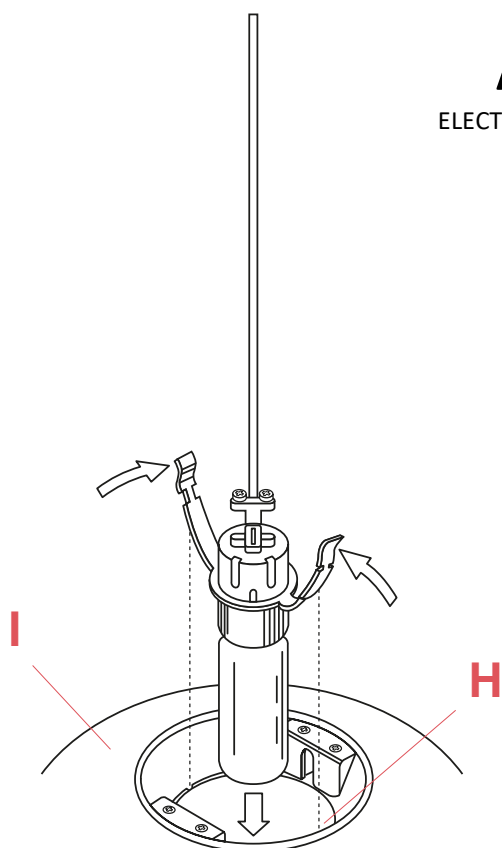


Fig.6

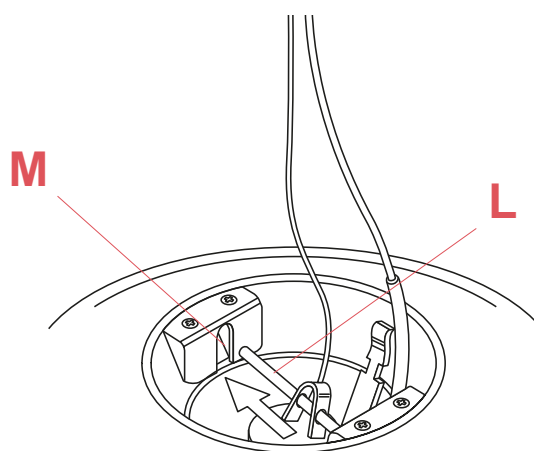


Fig.7

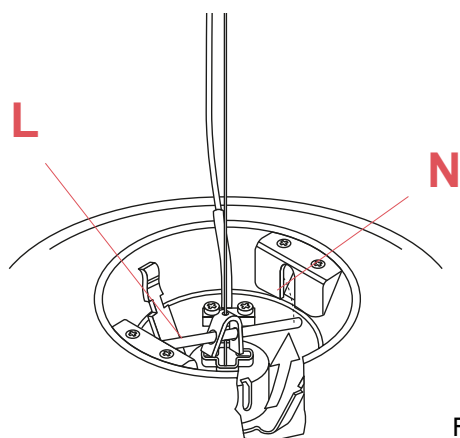


Fig.8

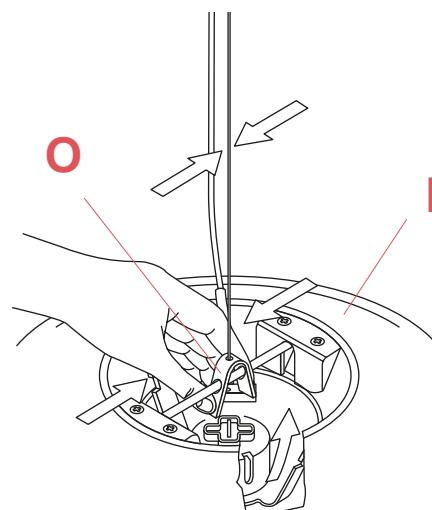


Fig.9

NOW Insert the bulb. Insert the bulb-holder in its housing (H) in the diffuser (I). (fig.6)

Insert the rod (L) in the housing (M). (fig.7)

Hook the rod (L) into the housing (N), until it locks “clicks – in”. (fig.8)

To balance the diffuser (I), regulate the spring (O) on the horizontal axis. (fig.9)

WARNING! When installing and whenever acting on the appliance, ensure that the power supply has been switched off.
For the installation of the spare-part, it is necessary to consult a qualified electrician.

GLO-BALL S2 F3010061

EN

RF04322

BJB E27 LAMP HOLDER



WARNING! When installing and whenever acting on the appliance, ensure that the power supply has been switched off.
For the installation of the spare-part, it is necessary to consult a qualified electrician.

©2021 Flos - All rights reserved - www.flos.com
Flos reserves the right to introduce any changes to its own models, without prior notice.

GLO-BALL S2 F3010061

EN

RF04322

BJB E27 LAMP HOLDER

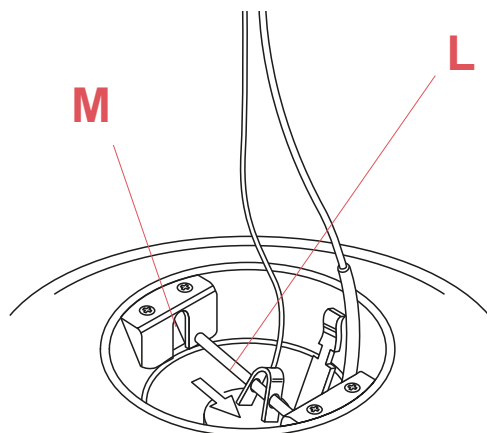


Fig.1

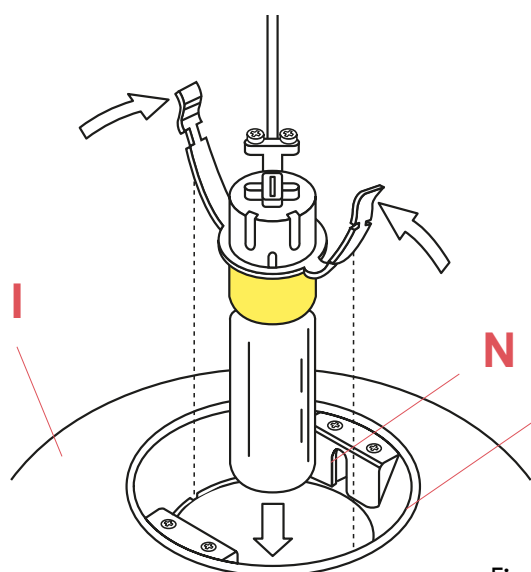


Fig.2

Remove the white glass diffuser.

It is necessary to ask somebody to hold the glass diffuser (I).

Unlock the rod (L) from the housings (M) present on the diffuser assembly (I).

Remove the glass diffuser (I) by unhooking the lamp holder supports from the housing (H).

Remove the lamp-bulb.

WARNING! When installing and whenever acting on the appliance, ensure that the power supply has been switched off.
For the installation of the spare-part, it is necessary to consult a qualified electrician.

RF04322

BJB E27 LAMP HOLDER

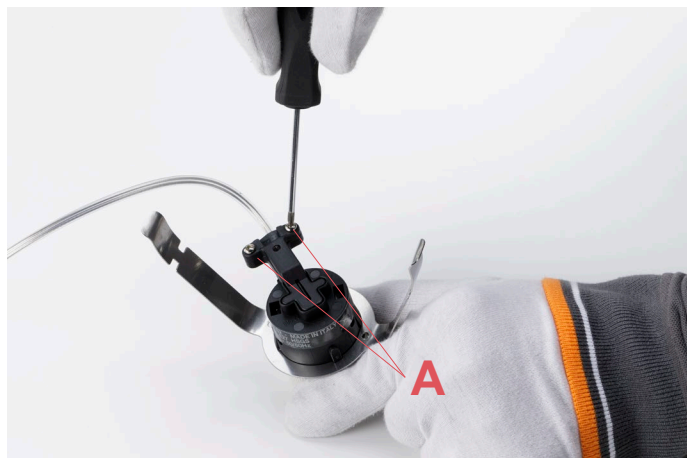


Fig.3



Fig.4

Unfasten the 2 screws (A) of the cable clamp present on the lamp holder assembly and then remove the cover (B).

WARNING! When installing and whenever acting on the appliance, ensure that the power supply has been switched off. For the installation of the spare-part, it is necessary to consult a qualified electrician.

GLO-BALL S2 F3010061

EN

RF04322

BJB E27 LAMP HOLDER



Fig.5

Insert a thin pin (C) or any other similar object inside the terminals (D) of the wire connections. Press down inside the terminals (D) with the pin (C) and then free the wires from the lamp holder.

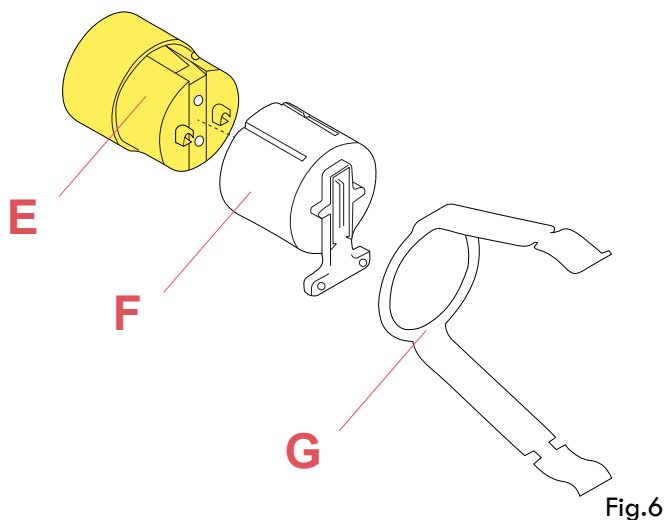


Fig.6

Remove the lamp holder (E) that needs to be replaced, from the cap (F) and from the lamp holder assembly support (G).

Assemble now the new spare-part:

Insert the new lamp holder (E) inside the cap (F) and lamp holder support (G).

REMARK!!! Ensure that the terminals of the lamp holder correspond with the holes present on the cap.

WARNING! When installing and whenever acting on the appliance, ensure that the power supply has been switched off. For the installation of the spare-part, it is necessary to consult a qualified electrician.

GLO-BALL S2 F3010061

EN

RF04322

BJB E27 LAMP HOLDER

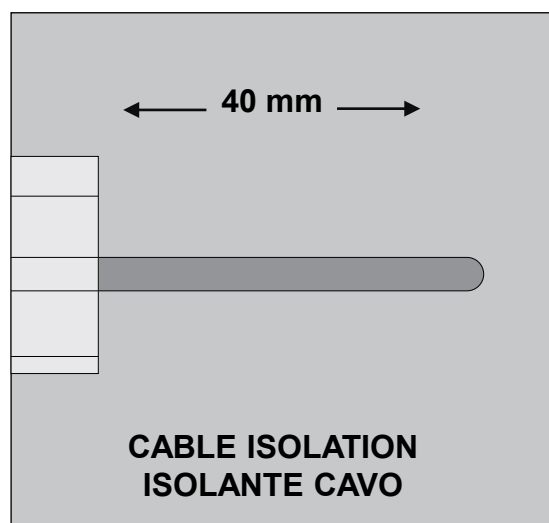


Fig.6

Strip-off 40mm length of the electrical isolation.

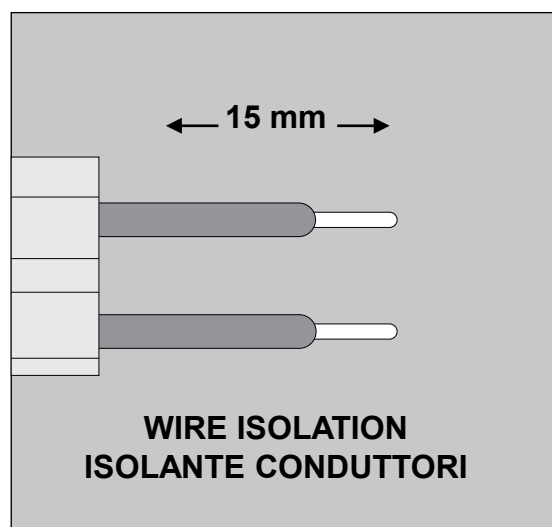


Fig.7

Strip-off 15mm length of the wires isolations.

WARNING! When installing and whenever acting on the appliance, ensure that the power supply has been switched off. For the installation of the spare-part, it is necessary to consult a qualified electrician.

GLO-BALL S2 F3010061

EN

RF04322

BJB E27 LAMP HOLDER



Fig.7

Twist and bend the conductors (K) of the wires and connect them inside the terminals (D) of the lamp holder.



Fig.8

Verify that they are inserted correctly by pulling the wires.

Clamp the electrical cable.
Position the cable clamp cover (B) and fasten the 2 screws (A).

Now Insert the lamp bulb.
Install the bulb-holder in its housing (H) present on the glass diffuser (I).
Insert the rod (L) in the housing (M).
Hook the rod (L) into the housing (N), up to the blocking "click". (view image at page 12)

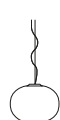
WARNING! When installing and whenever acting on the appliance, ensure that the power supply has been switched off.
For the installation of the spare-part, it is necessary to consult a qualified electrician.

GLO-BALL S2 F3010061

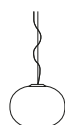
EN

RF05382

KIT OF QUANTITY 5 OR RINGS



Glo-ball
S1
p.



Glo-ball
S2
p.



Skygarden
S1
p.



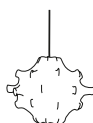
Smithfield
S



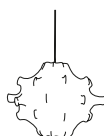
Smithfield
S Pro



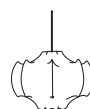
Tatou
S2
p.



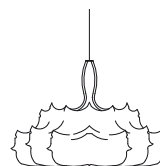
Taraxacum
S1 Cocoon
p.



Taraxacum
S2 Cocoon
p.



Viscontea
p.



Zeppelin 1
p.

WARNING! When installing and whenever acting on the appliance, ensure that the power supply has been switched off.
For the installation of the spare-part, it is necessary to consult a qualified electrician.

GLO-BALL S2 F3010061

EN

RF09514

RING NUT ASSEMBLY FOR DIFFUSER 2



WARNING! When installing and whenever acting on the appliance, ensure that the power supply has been switched off.
For the installation of the spare-part, it is necessary to consult a qualified electrician.

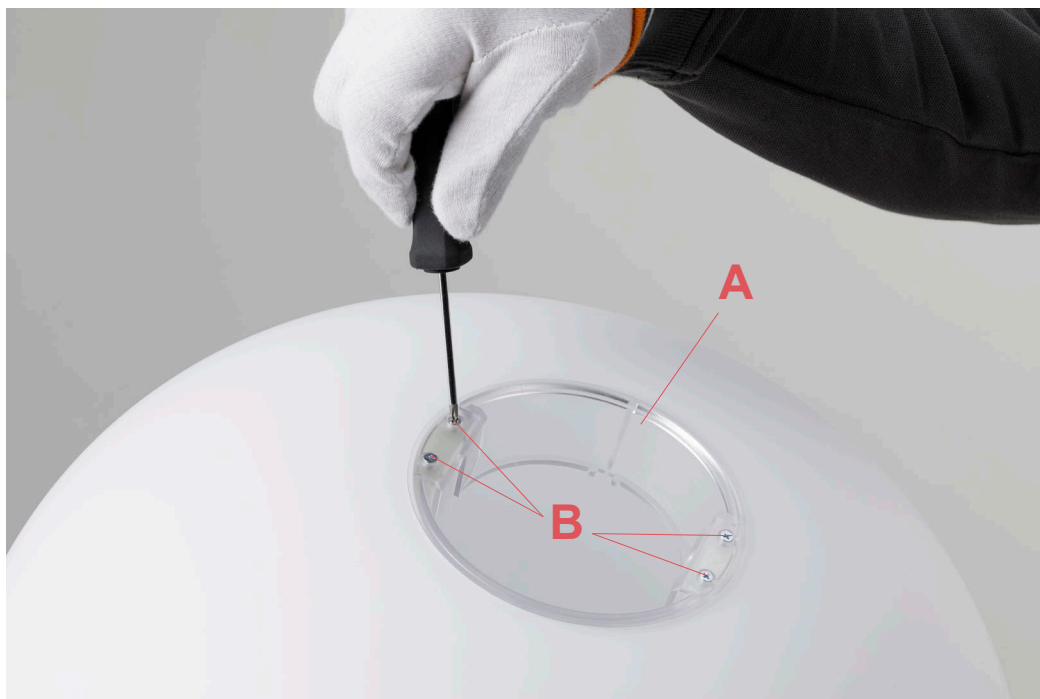
©2021 Flos - All rights reserved - www.flos.com
Flos reserves the right to introduce any changes to its own models, without prior notice.

GLO-BALL S2 F3010061

EN

RF09514

RING NUT ASSEMBLY FOR DIFFUSER 2



Insert the ring nut (A) in the glass diffuser hole and then fasten the screws (B).

REMARKS!!! Do not tighten the screws hard. Risk cracking the glass diffuser.

WARNING! When installing and whenever acting on the appliance, ensure that the power supply has been switched off.
For the installation of the spare-part, it is necessary to consult a qualified electrician.

©2021 Flos - All rights reserved - www.flos.com
Flos reserves the right to introduce any changes to its own models, without prior notice.