

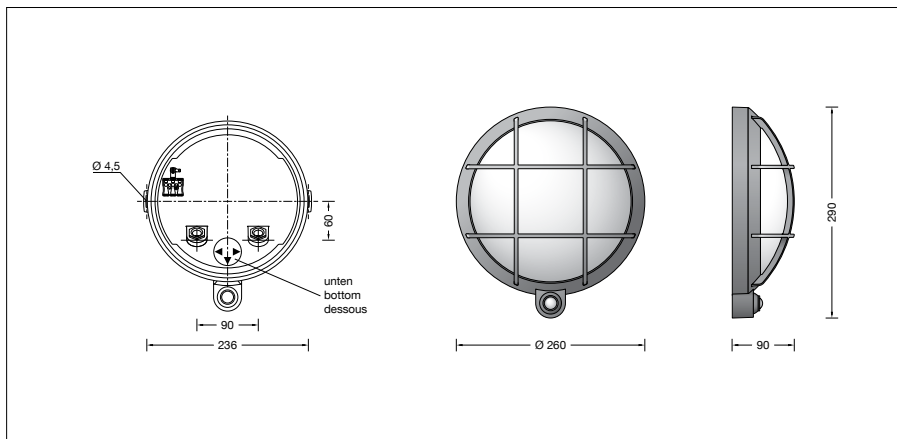
BEGA**24 174**

Wall luminaire with PIR motion and light sensor

IP 65

Project · Reference number

Date



Product data sheet

Application

Unshielded wall luminaire with integral passive infrared motion and light sensor.
A luminaire made of die-cast aluminium and impact-resistant crystal glass.
The integrated passive infrared motion and light sensor responds to heat radiation and activates in case of human or animal movement in the vicinity of the sensor.
Configuration is done via a smartphone using the free BEGA Tool app.

Lamp

Module connected wattage	12.9 W
Luminaire connected wattage	15.7 W
Rated temperature	$t_a = 25 \text{ }^\circ\text{C}$
Ambient temperature	$t_{a, \text{max}} = 30 \text{ }^\circ\text{C}$

On request we can offer you modifications for environments with higher temperatures as a customized product.

24 174 K3

Module designation	LED-1039/830
Colour temperature	3000 K
Colour rendering index	CRI > 80
Module luminous flux	2165 lm
Luminaire luminous flux	1158 lm
Luminaire luminous efficiency	73,8 lm/W

24 174 K4

Module designation	LED-1039/840
Colour temperature	4000 K
Colour rendering index	CRI > 80
Module luminous flux	2275 lm
Luminaire luminous flux	1217 lm
Luminaire luminous efficiency	77,5 lm/W

Product description

Luminaire made of aluminium alloy, aluminium and stainless steel
BEGA Unidure® coating technology
Crystal glass, white inside
Silicone gasket
2 mounting holes $\varnothing 4.5 \text{ mm}$
Distance apart 236 mm
2 screw cable glands with strain relief for through-wiring power connecting cable $\varnothing 7\text{--}12 \text{ mm}$
1 screw cable gland closed at the factory with a dummy plug
Connection terminal 0,5 - 2,5[□]
Earth conductor connection
Passive infrared motion sensor (PIR)
Specified range 10 m
Opening angle horizontal 110°
Opening angle vertical 93°
Minimum temperature difference between moving object and environment 4 °C
Object speed 1 m/s
Adjustable sensitivity of the motion sensor (inertia)
Shut-down delay adjustable between 5 s and 240 min
Light sensor: adjustable value range from darkness to daylight
Fixed time hysteresis for the suppression of rapid brightness fluctuations
Dimmable luminaire (0 to 100%)
Adjustable basic brightness
Transmission frequency range: 2400 - 2483.5 MHz
Maximum transmission output: 10 mW
LED power supply unit
220-240 V \sim 0/50-60 Hz
DC 176-280 V
BEGA Thermal Switch®
Temporary thermal shutdown to protect temperature-sensitive components
Safety class I
Protection class IP 65
Dust-tight and protection against water jets
Impact strength IK05
Protection against mechanical impacts < 0.7 joule
CE – Conformity mark
Weight: 2.8 kg

Inrush current

Inrush current: 5 A / 50 μs
Maximum number of luminaires of this type per miniature circuit breaker:
B 10A: 31 luminaires
B 16A: 50 luminaires
C 10A: 52 luminaires
C 16A: 85 luminaires

Service life · Ambient temperature

Rated temperature $t_a = 25 \text{ }^\circ\text{C}$
LED psu: > 50,000 h
LED module: 160,000 h (L 80 B 50)

Ambient temperature $t_{a, \text{max}} = 30 \text{ }^\circ\text{C}$ (100 %)
LED psu: 50,000 h
LED module: 150,000 h (L 80 B 50)

Light technique

Luminaire data for the light planning program DIALux for outdoor lighting, street lighting and indoor lighting as well as luminaire data in EULUMDAT- and IES-format you will find on the BEGA web page www.bega.com.

Article No. 24 174

LED colour temperature optionally 3000K or 4000K
3000 K – Article number + **K3**
4000 K – Article number + **K4**

Colour graphite or silver
graphite – article number
silver – article number + **A**

Light distribution