



WEVER & DUCRÉ  
LIGHTING

# RAY

## on track 2.0 PAR16

217520B0

Project

Type

Notities

Kwantiteit

Datum

### ALGEMEEN

Plafond, Trackpendel

incl. 2.5 m suspension

Matzwart

RAL 9005<sup>a</sup>

IP20

Interieur

Output: 445<sup>b</sup>, 465<sup>c</sup> lm

CIE flux code: 94 98 100 100 96

### LED

Lamp PAR16

Stopcontact GU10

max. per socket 12.0 W

CRI ≥ 90

### ELEKTRISCH

100 - 240 V

LED inset 6.5 W

Klasse 1

### FYSISCH

Diameter 67 mm

Hoogte 200 mm

0.54 kg

70 (adapter) mm

incl. adapter 1-fase track

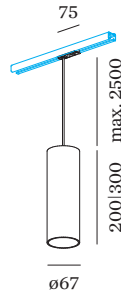
<sup>a</sup> De kleur kan vanwege productieomstandigheden iets afwijken.

<sup>b</sup> PAR16 LAMP 2700K CRI90

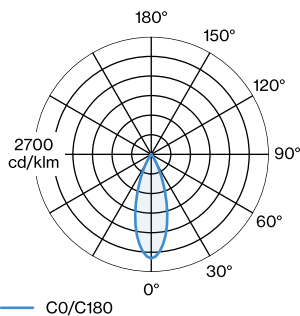
<sup>c</sup> PAR16 LAMP 3000K CRI90



Cilindrische pendelarmatuur van gegoten aluminium incl. adapter 1-fase track; oppervlak Matzwart; gepoedercoat; mat textuur; RAL 9005; polycarbonaat trackadapter en kabel in Signaalzwart; lampfitting GU10; lamptype PAR16; max. 12W; 100 - 240 V; beschermingsgraad IP20; Klasse 1; lamp niet inbegrepen; inclusief regelbare buisophanging max. 2500mm;



### LICHTVERDELING





WEVER & DUCRÉ  
LIGHTING

# RAY

## on track 2.0 PAR16

217520B0

### PENDEL

#### Track Adapter 1.0

| TYPE         | KLEUR | L · H (MM) | ORDERCODE       |
|--------------|-------|------------|-----------------|
| 1-fase track | Zwart | 85-45      | 9 0 0 1 4 0 4 3 |
| 1-fase track | Wit   | 85-45      | 9 0 0 1 4 0 4 4 |

#### Ophangset 1.5m

| TYPE                  | KLEUR | Ø · H (MM) | ORDERCODE       |
|-----------------------|-------|------------|-----------------|
| 1-fase track   pendel | Wit   | Ø29-1500   | 9 0 0 1 4 1 0 1 |
| 1-fase track   pendel | Zwart | Ø29-1500   | 9 0 0 1 4 1 0 2 |

#### Ophangset 3.0m

| TYPE                  | KLEUR | Ø · H (MM) | ORDERCODE       |
|-----------------------|-------|------------|-----------------|
| 1-fase track   pendel | Wit   | Ø29-3000   | 9 0 0 1 4 1 0 3 |
| 1-fase track   pendel | Zwart | Ø29-3000   | 9 0 0 1 4 1 0 4 |

#### Track Adapter 2.0

| TYPE         | KLEUR | L · W · H (MM) | ORDERCODE       |
|--------------|-------|----------------|-----------------|
| 1-fase track | Wit   | 80-24-26       | 9 0 0 1 4 2 7 7 |
| 1-fase track | Zwart | 80-24-26       | 9 0 0 1 4 2 7 8 |

### CORNER

#### Regelbare hoek

| TYPE         | KLEUR | L · W · H (MM) | ORDERCODE       |
|--------------|-------|----------------|-----------------|
| 1-fase track | Zwart | 81-81-20       | 9 0 0 1 4 0 4 1 |
| 1-fase track | Wit   | 81-81-20       | 9 0 0 1 4 0 4 2 |

### INGEBOUWD

#### Montagebeugel

| TYPE                     | L · W · H (MM) | ORDERCODE       |
|--------------------------|----------------|-----------------|
| 1-fase track   ingebouwd | 35-59-35       | 9 0 0 1 4 1 0 0 |

#### Trackprofiel 1m

| TYPE                     | KLEUR | L · W · H (MM) | ORDERCODE       |
|--------------------------|-------|----------------|-----------------|
| 1-fase track   ingebouwd | Wit   | 1000-50-20     | 9 0 0 1 4 1 1 8 |
| 1-fase track   ingebouwd | Zwart | 1000-50-20     | 9 0 0 1 4 1 1 9 |

#### Trackprofiel 2m

| TYPE                     | KLEUR | L · W · H (MM) | ORDERCODE       |
|--------------------------|-------|----------------|-----------------|
| 1-fase track   ingebouwd | Wit   | 2000-50-20     | 9 0 0 1 4 1 2 0 |
| 1-fase track   ingebouwd | Zwart | 2000-50-20     | 9 0 0 1 4 1 2 1 |



WEVER & DUCRÉ  
LIGHTING

# RAY

## on track 2.0 PAR16

217520B0

### Trackprofiel 3m

| TYPE                     | KLEUR | L · W · H (MM) | ORDERCODE       |
|--------------------------|-------|----------------|-----------------|
| 1-fase track   ingebouwd | Wit   | 3000-50-20     | 9 0 0 1 4 1 2 2 |
| 1-fase track   ingebouwd | Zwart | 3000-50-20     | 9 0 0 1 4 1 2 3 |

### Coverplaat eindvoeding

| TYPE                     | KLEUR | L · W (MM) | ORDERCODE       |
|--------------------------|-------|------------|-----------------|
| 1-fase track   ingebouwd | Wit   | 75-50      | 9 0 0 1 4 1 2 4 |
| 1-fase track   ingebouwd | Zwart | 75-50      | 9 0 0 1 4 1 2 5 |

### Coverplaat I/L/T/X

| TYPE                     | KLEUR | L · W (MM) | ORDERCODE       |
|--------------------------|-------|------------|-----------------|
| 1-fase track   ingebouwd | Wit   | 100-100    | 9 0 0 1 4 1 2 6 |
| 1-fase track   ingebouwd | Zwart | 100-100    | 9 0 0 1 4 1 2 7 |

## OPBOUW

### Trackprofiel 1m

| TYPE                         | KLEUR | L · W · H (MM) | ORDERCODE       |
|------------------------------|-------|----------------|-----------------|
| 1-fase track   opbouw/pendel | Wit   | 1000-30-20     | 9 0 0 1 4 0 0 1 |
| 1-fase track   opbouw/pendel | Zwart | 1000-30-20     | 9 0 0 1 4 0 0 7 |

### Trackprofiel 2m

| TYPE                         | KLEUR | L · W · H (MM) | ORDERCODE       |
|------------------------------|-------|----------------|-----------------|
| 1-fase track   opbouw/pendel | Wit   | 2000-30-20     | 9 0 0 1 4 0 0 2 |
| 1-fase track   opbouw/pendel | Zwart | 2000-30-20     | 9 0 0 1 4 0 0 8 |

### Trackprofiel 3m

| TYPE                         | KLEUR | L · W · H (MM) | ORDERCODE       |
|------------------------------|-------|----------------|-----------------|
| 1-fase track   opbouw/pendel | Wit   | 3000-30-20     | 9 0 0 1 4 0 0 3 |
| 1-fase track   opbouw/pendel | Zwart | 3000-30-20     | 9 0 0 1 4 0 0 9 |

### Eindkap

| TYPE                        | KLEUR | L · W · H (MM) | ORDERCODE       |
|-----------------------------|-------|----------------|-----------------|
| 1-fase track   links/rechts | Wit   | 24-30-20       | 9 0 0 1 4 0 2 8 |
| 1-fase track   links/rechts | Zwart | 24-30-20       | 9 0 0 1 4 0 2 9 |

## ELEKTRISCH

### T-Connector 1.0

| TYPE         | KLEUR | L · W · H (MM) | ORDERCODE       |
|--------------|-------|----------------|-----------------|
| 1-fase track | Wit   | 145-55-20      | 9 0 0 1 4 0 1 0 |
| 1-fase track | Zwart | 145-55-20      | 9 0 0 1 4 0 1 1 |



WEVER & DUCRÉ  
LIGHTING

# RAY

## on track 2.0 PAR16

217520B0

### T-Connector 2.0

| TYPE         | KLEUR | L · W · H (MM) | ORDERCODE       |
|--------------|-------|----------------|-----------------|
| 1-fase track | Wit   | 145-55-20      | 9 0 0 1 4 0 1 2 |
| 1-fase track | Zwart | 145-55-20      | 9 0 0 1 4 0 1 3 |

### T-Connector 3.0

| TYPE         | KLEUR | L · W · H (MM) | ORDERCODE       |
|--------------|-------|----------------|-----------------|
| 1-fase track | Wit   | 145-55-20      | 9 0 0 1 4 0 1 4 |
| 1-fase track | Zwart | 145-55-20      | 9 0 0 1 4 0 1 5 |

### T-Connector 4.0

| TYPE         | KLEUR | L · W · H (MM) | ORDERCODE       |
|--------------|-------|----------------|-----------------|
| 1-fase track | Wit   | 145-55-20      | 9 0 0 1 4 0 1 6 |
| 1-fase track | Zwart | 145-55-20      | 9 0 0 1 4 0 1 7 |

### Eindvoeding | links

| TYPE         | KLEUR | L · W · H (MM) | ORDERCODE       |
|--------------|-------|----------------|-----------------|
| 1-fase track | Wit   | 88-30-20       | 9 0 0 1 4 0 1 8 |
| 1-fase track | Zwart | 88-30-20       | 9 0 0 1 4 0 1 9 |

### Eindvoeding | rechts

| TYPE         | KLEUR | L · W · H (MM) | ORDERCODE       |
|--------------|-------|----------------|-----------------|
| 1-fase track | Wit   | 88-30-20       | 9 0 0 1 4 0 2 0 |
| 1-fase track | Zwart | 88-30-20       | 9 0 0 1 4 0 2 1 |

### Rechte connector

| TYPE                 | KLEUR | L · H (MM) | ORDERCODE       |
|----------------------|-------|------------|-----------------|
| 1-fase track   recht | Wit   | 65-17      | 9 0 0 1 4 0 2 2 |
| 1-fase track   recht | Zwart | 65-17      | 9 0 0 1 4 0 2 3 |

### L-connector

| TYPE                  | KLEUR | L · W · H (MM) | ORDERCODE       |
|-----------------------|-------|----------------|-----------------|
| 1-fase track   links  | Wit   | 88-55-20       | 9 0 0 1 4 0 2 4 |
| 1-fase track   links  | Zwart | 88-55-20       | 9 0 0 1 4 0 2 5 |
| 1-fase track   rechts | Wit   | 88-55-20       | 9 0 0 1 4 0 2 6 |
| 1-fase track   rechts | Zwart | 88-55-20       | 9 0 0 1 4 0 2 7 |

### Voeding midden

| TYPE                 | KLEUR | L · W · H (MM) | ORDERCODE       |
|----------------------|-------|----------------|-----------------|
| 1-fase track   recht | Wit   | 145-30-20      | 9 0 0 1 4 0 3 6 |
| 1-fase track   recht | Zwart | 145-30-20      | 9 0 0 1 4 0 3 7 |

### X-Connector

| TYPE         | KLEUR | L · W · H (MM) | ORDERCODE       |
|--------------|-------|----------------|-----------------|
| 1-fase track | Wit   | 145-145-20     | 9 0 0 1 4 0 4 9 |
| 1-fase track | Zwart | 145-145-20     | 9 0 0 1 4 0 5 0 |



WEVER & DUCRÉ  
LIGHTING

# RAY

## on track 2.0 PAR16

217520B0

### ARMATUREN

#### PAR16 LED lamp

| TYPE                   | KLEUR  | Ø · H (MM) | ORDERCODE       |
|------------------------|--------|------------|-----------------|
| 2700K   >90 CRI   GU10 | Zwart  | ∅50 · 60   | 9 0 1 2 2 8 B 3 |
| 3000K   >90 CRI   GU10 | Zwart  | ∅50 · 60   | 9 0 1 2 2 8 B 5 |
| 2700K   >90 CRI   GU10 | Wit    | ∅50 · 60   | 9 0 1 2 2 8 W 3 |
| 3000K   >90 CRI   GU10 | Wit    | ∅50 · 60   | 9 0 1 2 2 8 W 5 |
| 2700K   >80 CRI   GU10 | Zilver | ∅50 · 60   | 9 0 5 2 2 7 S 2 |
| 3000K   >80 CRI   GU10 | Zilver | ∅50 · 60   | 9 0 5 2 2 7 S 4 |