

PALO ALTO

Design by Xucla.

Reference

4510.

Application

Outdoor lamps

Installation type

Built-in

Description

PALO ALTO is an outdoor lamp shaped as a beacon. Designed by Josep Lluís Xuclà, it is available in two colours.

Materials

Body: Steel

Lid: Steel

Finish

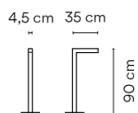


4510-29 Brown D1 (NCS S 8005-Y50R)



4510-53 Green M1 (NCS S 6005-G80Y)

Sketch



Electrical characteristics

2 x LED 2.2W 700mA

Total 4.4 W



VIBIA



Light source: 2700K CRI >90 362 lm 82.27 lm/W

Driver included: CC - Constant Current 700 mA 220-240V 50/60Hz

Electronic dimming NO DIM

ficha.fichatecnicaproducto.regulacion.opcional DALI

Physical characteristics

1 Box / 0.00 x 0.00 x 0.00 m. / Vol. 0.2016 m³ /

Gross weight 11.1 kg. / Net weight 10.0 kg.

Installation and assembly

Please, see the installation manual

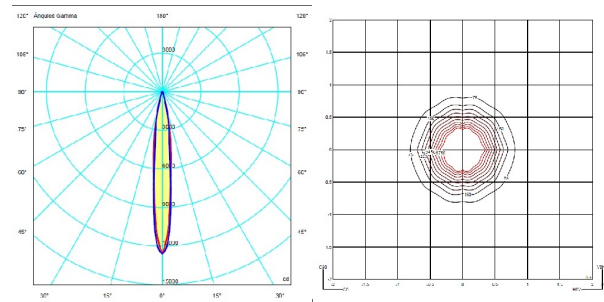
Light distribution

General lighting

Lamp for general lighting that equally distributes the light in all directions.



Photometric data



Certificates

