

Flat

Design by Ichiro Iwasaki.

Reference

5924.

Application

Ceiling Lamps

Installation type

Surface

Description

Flat is a large ceiling lamp made up of horizontal discs at various heights that create planes of reflected light. The discs are self-illuminated by reflected light. The Flat ceiling light has a strong graphic quality, combining structure and functionality.

Diffuser

Polycarbonate diffuser

Materials

Ceiling rose: Steel
Reflector: Aluminum
Body: Steel
Head: Aluminium

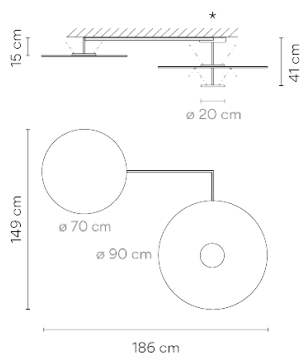
Finish

5924-10 White (NCS S 0300-N)

5924-72 White, Green L1 (NCS S 0300-N, NCS S 4005-G80Y)

5924-73 White, Grey L1 (NCS S 0300-N, NCS S 1000-N)

Sketch



Electrical characteristics

3 x LED PLATE 25W 700mA

Total 75.0 W



VIBIA



Light source: 2700K CRI >90 10440 lm 139 lm/W

Driver included: CC - Constant Current 700 mA 110-240V 50/60Hz

Electronic dimming: DALI 1-10V Push

Optional dimming: Casambi

Physical characteristics

0 Box / 0.00 x 0.00 x 0.00 m. / Vol. 0.0000 m³ /
Gross weight 0.0 kg. / Net weight 0.0 kg.

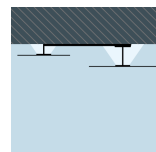
Installation and assembly

Please, see the installation manual

Light distribution

Indirect lighting

Lamp that emits an upward or backward beam that is reflected by the ceiling or wall.



Photometric data

Certificates

