

# Qbini surface box 2x LED GE

131201XX

**1**

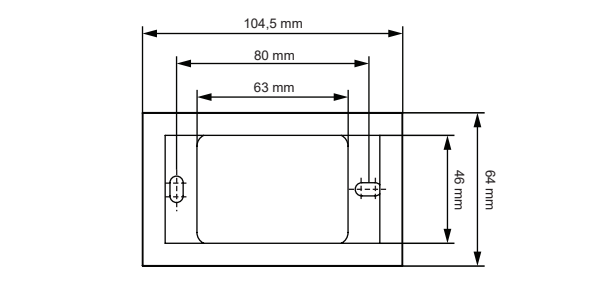
driver -    driver +

11mm  
0,2 - 4mm<sup>2</sup>  
24 - 12 AWG

SCREWS NOT INCLUDED

max Ø4,5 mm    max Ø8,5 mm

WALL MOUNTING ONLY HORIZONTAL



**2**

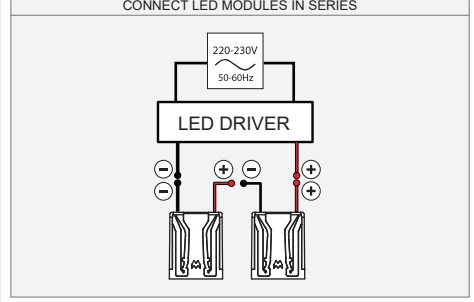
click

driver -    driver +

MODULE NEEDS TO BE ORDERED SEPERATELY

click

driver -    driver +



**3.1 FIRST LATCHED POSITION**

click

**3.2 PUSH module UP for SECOND LATCHED POSITION**

click


**3.3 PUSH module further UP for RELEASE POSITION**

click

**3.4 PULL module DOWN to remove**

**4**

**PREVENTING ELECTROSTATIC DAMAGE**

 A discharge of static electricity may damage sensitive components. Always be properly grounded when touching leads or circuitry inside the luminaire. Use a wrist strap connected by a ground cord to the housing. Avoid touching the light sources with bare hands.

**DRIVERS & ACCESSORIES**

For latest version of driver matrix and available accessories check [www.supermodular.com](http://www.supermodular.com) or connect with your sales contact.

