

# PH Snowball

The fixture emits comfortable glare-free diffuse light. Matt painted undersurfaces and glossy top surfaces result in an attractive reflection of the diffused light, creating uniform light distribution around the fixture. When the light is switched on, the top portion is illuminated while the bottom part remains dark.



## Poul Henningsen

Poul Henningsen was born in Copenhagen by the famous Danish actress Agnes Henningsen. He never graduated as an architect, but studied at The Technical School at Frederiksberg, Denmark from 1911-14, and then at Technical College in Copenhagen from 1914-17.



## Product info

**Finish**

White, wet painted.

**Materials**

Shades: Spun aluminium. Frame: High lustre chrome plated, die cast aluminium. Housing: High lustre chrome plated, spun aluminium.

**Mounting**

Suspension type: Cable 3x0,75mm<sup>2</sup>. Canopy: Yes. Cable length: 3m.

**Sizes and weights**

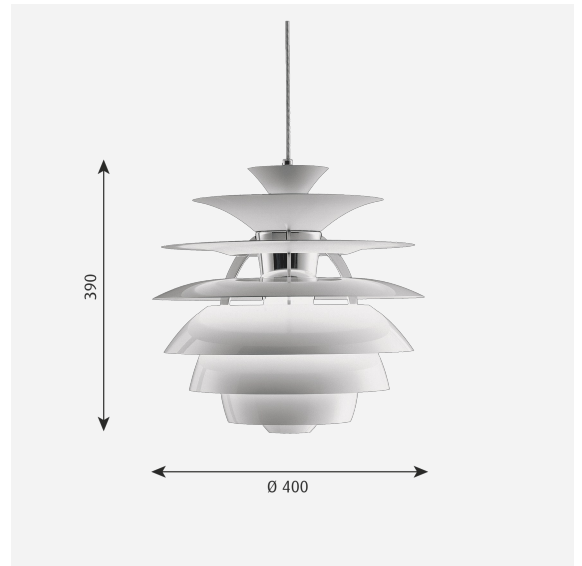
Width x Height x Length (mm) | 400 x 390 x 400 Max 3.3 kg

**Class**

Ingress protection IP20. Electric shock protection I w. ground.

**Light source & energy class**

A+ - E | 1x70W E27



## Product variants

Light source	Colour	Class	Cable type
1x70W E27	<input type="radio"/> Wht	I	WHT TEX

# Product description

Suspended shade luminaire.  
8 shades ensures minimal direct view of lamp.  
Geometry created to ensure illumination of large rooms.  
Iconic design.  
Top shade to hide insert.

---

Can be mounted on 4" octagonal junction box. (USA only)  
Relamping by removing bottom shade held in place with spring-loaded tabs.

---

## Light description

Spherical light distribution.  
Top shades provide vertical illumination of room.  
Lower shades primarily direct light down.  
Geometry ensures uniform light around the fixture.  
Matte painted undersurfaces of shades creating uniform light distribution around the fixture.

---

## Design

Poul Henningsen

---

## Mounting

Shades: White, spun aluminum, 0.8 mm (0.03") thick.  
Internal struts of chrome plated aluminum.  
Socket: Porcelain, medium base, for A-23 clear envelope lamps.  
Socket position is adjustable to allow correct lamp position and fixture illumination.  
Canopy: 5.3" diameter x 0.9" tall cone of spun aluminum.  
Cable: white PVC coated, 12 ft. (USA)

---

## Weight

3.281

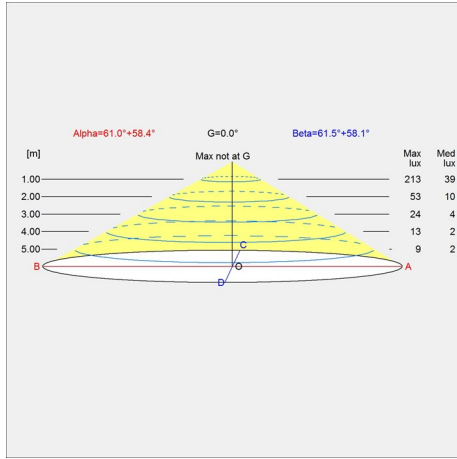
---

## Finish

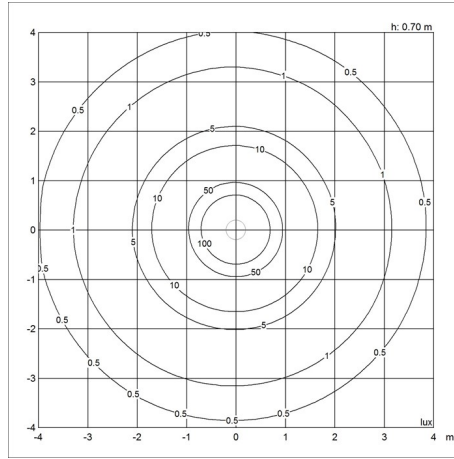
Wht

# Light distribution diagrams

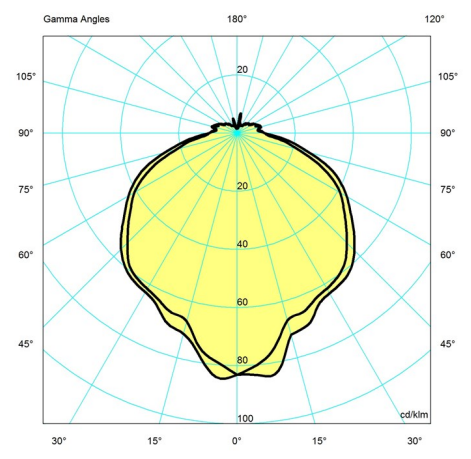
Cartesian



Isolux



Polar



## Spare parts & accessories

Product	Variant number
CANOPY WHITE 2-PART, TOPHAT ©	5749329034
PH SNOWBALL, BOTTOMSHADE COMPLETE	5741086456