



WEVER & DUCRÉ
LIGHTING

HEXO SUSPENDED 2.0 PAR16

215120P0

Project
Type
Notes
Quantity
Date

GENERAL

Ceiling
Suspended
Copper
IP20
Interior
405^a, 445^b, 450^c lm

LED

Lamp PAR16
PAR16
Socket GU10
max. 12 W
L70 / 50000 h

OPTICAL

Beam angle 48°

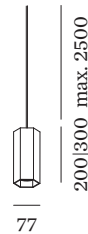
PHYSICAL

Diameter 77 mm
Height 200 mm
0.58 kg
incl. 2.5 m suspension

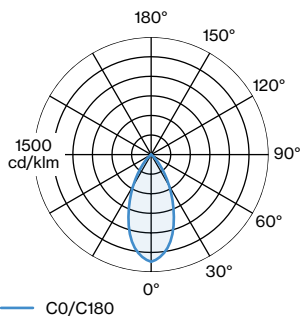
ELECTRICAL

100 - 240 V
Total connected power 8.8^c, 8.9^b, 10^a
W
PC1
Safety distance 0.9 m

- ^a LED 1800-2850K CRI 90 silver
- ^b LED 3000K CRI 80 white
- ^c LED 2700K CRI 80 white



LIGHT DISTRIBUTION



[215120P0] The technical data represent rated values for an ambient temperature of 25°C. The data values for the luminous flux are initially subject to a tolerance of +/- 10%, those for the electrical connected load are initially subject to a tolerance of +/- 10%, and those for the colour temperature are initially subject to a tolerance of +/- 150 K. No liability is assumed for typographical or printing errors. The general terms and conditions of Wever & Ducré BVBA apply.
© Wever & Ducré BVBA · Spinnerijstraat 99/21 · 8500 Kortrijk · Belgium · www.weverducre.com



WEVER & DUCRÉ
LIGHTING

HEXO SUSPENDED 2.0 PAR16

215120P0

CONE DIAGRAM

LED 1800-2850K CRI ≥ 90 :

h (m)	E0° (lx)	Φ (m)
1	572	0.89
2	143	1.78
3	63	2.67
4	35	3.56
5	22	4.45

LED LAMPS

PAR16 LED Lamp

TYPE	COLOUR	Ø · H (MM)	ORDERCODE
2700K >90 CRI GU10	Jet Black	∅50·58	9 0 1 2 2 8 B 3
3000K >90 CRI GU10	Jet Black	∅50·58	9 0 1 2 2 8 B 5
2700K >80 CRI GU10	Signal White	∅50·58	9 0 1 2 2 8 W 2
2700K >90 CRI GU10	Signal White	∅50·58	9 0 1 2 2 8 W 3
3000K >80 CRI GU10	Signal White	∅50·58	9 0 1 2 2 8 W 4

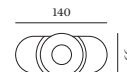
PAR16 LED Lamp | Ambient

TYPE	Ø · H (MM)	ORDERCODE
1800-2850K >90 CRI GU10	∅50·58	9 0 1 2 2 9 S 9

SUSPENSION OPTIONS

Invisible Ceiling Suspension System

TYPE	L · W · H (MM)	ORDERCODE
Plasterkit	156·60·26	9 0 0 1 5 1 9 5



Single Suspension

TYPE	COLOUR	Ø · H (MM)	ORDERCODE
Ceiling Base round	Signal Black	∅84·29	9 0 0 5 2 0 2 1
Ceiling Base round	Pure White	∅84·29	9 0 0 5 2 0 2 2
Ceiling Base semi recessed	Pure White	∅84·72	9 0 0 5 2 0 2 6
Ceiling Base semi recessed	Signal Black	∅84·72	9 0 0 5 2 0 2 7

