



WEVER & DUCRÉ
LIGHTING

MICK on track 1.0

159462J3

Project
Type
Notes
Quantity
Date

GENERAL

Ceiling
Track
Signal White + Gold
IP20
Interior
325 lm

LED

2700 K
CRI 90
L80 / 50000 h
3-step binning

OPTICAL

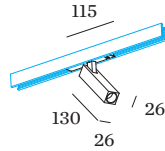
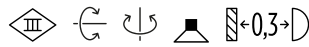
Beam angle 18°

PHYSICAL

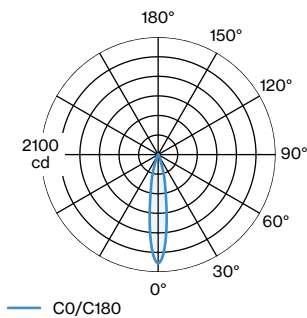
Length 26 mm
Width 26 mm
Height 130 mm
0.22 kg
115 (adapter) mm
Tilt min 90°
Tilt max 90°
Rotation 360°

ELECTRICAL

non dim
48 V
Total connected power 12 W
LED Inset 8.7 W
PC3
Safety distance 0.3 m



LIGHT DISTRIBUTION





WEVER & DUCRÉ
LIGHTING

MICK on track 1.0

159462J3

CONE DIAGRAM

18°

h (m)	E0° (lx)	ø (m)
1	1940	0.31
2	486	0.62
3	216	0.93
4	121	1.25
5	77	1.56

ELECTRICAL

Track Profile 1m

TYPE	COLOUR	L · W · H (MM)	ORDERCODE
48V DALI surface/suspended custom cut	Signal White	200-999-26-29	9 0 0 1 4 1 8 1 C C
48V DALI surface/suspended custom cut	Jet Black	200-999-26-29	9 0 0 1 4 1 8 2 C C
48V DALI recessed custom cut	Signal White	200-999-37-33	9 0 0 1 4 1 8 7 C C
48V DALI recessed custom cut	Jet Black	200-999-37-33	9 0 0 1 4 1 8 8 C C
48V DALI surface/suspended	Signal White	1000-26-29	9 0 0 1 4 1 8 1
48V DALI surface/suspended	Jet Black	1000-26-29	9 0 0 1 4 1 8 2
48V DALI recessed	Signal White	1000-37-33	9 0 0 1 4 1 8 7
48V DALI recessed	Jet Black	1000-37-33	9 0 0 1 4 1 8 8

Track Profile 2m

TYPE	COLOUR	L · W · H (MM)	ORDERCODE
48V DALI surface/suspended custom cut	Signal White	1001-1999-26-29	9 0 0 1 4 1 8 3 C C
48V DALI surface/suspended custom cut	Jet Black	1001-1999-26-29	9 0 0 1 4 1 8 4 C C
48V DALI recessed custom cut	Signal White	1001-1999-37-33	9 0 0 1 4 1 8 9 C C
48V DALI recessed custom cut	Jet Black	1001-1999-37-33	9 0 0 1 4 1 9 0 C C
48V DALI suspended indirect light	Jet Black	2000-26-29	9 0 0 1 4 0 B 5
48V DALI suspended indirect light	Signal White	2000-26-29	9 0 0 1 4 0 W 5
48V DALI surface/suspended	Signal White	2000-26-29	9 0 0 1 4 1 8 3
48V DALI surface/suspended	Jet Black	2000-26-29	9 0 0 1 4 1 8 4
48V DALI recessed	Signal White	2000-37-33	9 0 0 1 4 1 8 9
48V DALI recessed	Jet Black	2000-37-33	9 0 0 1 4 1 9 0



WEVER & DUCRÉ
LIGHTING

MICK on track 1.0

159462J3

Track Profile 3m

TYPE	COLOUR	L - W - H (MM)	ORDERCODE
48V DALI surface/suspended custom cut	Signal White	2001-2999-26-29	9 0 0 1 4 1 8 5 C C
48V DALI surface/suspended custom cut	Jet Black	2001-2999-26-29	9 0 0 1 4 1 8 6 C C
48V DALI recessed custom cut	Signal White	2001-2999-37-33	9 0 0 1 4 1 9 1 C C
48V DALI recessed custom cut	Jet Black	2001-2999-37-33	9 0 0 1 4 1 9 2 C C
48V DALI surface/suspended	Signal White	3000-26-29	9 0 0 1 4 1 8 5
48V DALI surface/suspended	Jet Black	3000-26-29	9 0 0 1 4 1 8 6
48V DALI recessed	Signal White	3000-37-33	9 0 0 1 4 1 9 1
48V DALI recessed	Jet Black	3000-37-33	9 0 0 1 4 1 9 2
48V DALI suspended indirect light	Jet Black	3000-26-29	9 0 0 1 4 1 B 5
48V DALI suspended indirect light	Signal White	3000-26-29	9 0 0 1 4 1 W 5

End Cap

TYPE	COLOUR	L - W - H (MM)	ORDERCODE
48V DALI track surface/suspended	Signal White	26-2.5-29	9 0 0 1 4 1 4 7
48V DALI track surface/suspended	Jet Black	26-2.5-29	9 0 0 1 4 1 4 8
48V DALI track recessed	Signal White	37-10-27	9 0 0 1 4 1 4 9
48V DALI track recessed	Jet Black	37-10-27	9 0 0 1 4 1 5 0

Power Feed

TYPE	COLOUR	L - H (MM)	ORDERCODE
48V DALI track	Signal White	112-18	9 0 0 1 4 1 5 3
48V DALI track	Jet Black	112-18	9 0 0 1 4 1 5 4

Suspension Set

TYPE	L - W - H (MM)	ORDERCODE
1.5m 48V DALI suspended	80-23-1500	9 0 0 1 4 1 6 0
3.0m 48V DALI suspended	80-23-3000	9 0 0 1 4 1 6 1

Power Supply 100W

TYPE	COLOUR	L - W - H (MM)	ORDERCODE
48V incl. DALI wiring surface	Signal White	439-26-44	9 0 0 1 4 1 6 6
48V incl. DALI wiring surface	Jet Black	439-26-44	9 0 0 1 4 1 6 7
48V incl. DALI wiring suspended	Signal White	439-26-44	9 0 0 1 4 1 6 8
48V incl. DALI wiring suspended	Jet Black	439-26-44	9 0 0 1 4 1 6 9
48V remote		350-30-18	9 0 2 1 8 9 0 1

Power Supply 150W

TYPE	COLOUR	L - W - H (MM)	ORDERCODE
48V incl. DALI wiring surface	Signal White	439-26-44	9 0 0 1 4 1 7 0
48V incl. DALI wiring surface	Jet Black	439-26-44	9 0 0 1 4 1 7 1
48V incl. DALI wiring suspended	Signal White	439-26-44	9 0 0 1 4 1 7 2
48V incl. DALI wiring suspended	Jet Black	439-26-44	9 0 0 1 4 1 7 3
48V remote		350-30-18	9 0 2 1 8 9 0 2

[159462J3] The technical data represent rated values for an ambient temperature of 25°C. The data values for the luminous flux are initially subject to a tolerance of +/- 10%, those for the electrical connected load are initially subject to a tolerance of +/- 10%, and those for the colour temperature are initially subject to a tolerance of +/- 150 K. No liability is assumed for typographical or printing errors. The general terms and conditions of Wever & Ducré BVBA apply.
© Wever & Ducré BVBA · Spinnerijstraat 99/21 · 8500 Kortrijk · Belgium · www.weverducre.com

December 15, 2020



WEVER & DUCRÉ
LIGHTING

MICK on track 1.0

159462J3

Mounting Bracket

TYPE	ORDERCODE
48V DALI track recessed	9 0 0 1 4 1 9 3

Wireless Control

TYPE	COLOUR	L · H (MM)	ORDERCODE
48V DALI track	Signal White	143-58	9 0 0 1 4 1 9 4
48V DALI track	Jet Black	143-58	9 0 0 1 4 1 9 5

Connector

TYPE	COLOUR	L · H (MM)	ORDERCODE
48V DALI track	Signal White	105-18	9 0 0 1 4 1 9 6
48V DALI track	Jet Black	105-18	9 0 0 1 4 1 9 7

L-Connector

TYPE	COLOUR	L · W · H (MM)	ORDERCODE
48V DALI track surface/suspended	Signal White	105-105-18	9 0 0 1 4 1 9 8
48V DALI track surface/suspended	Jet Black	105-105-18	9 0 0 1 4 1 9 9
48V DALI track recessed	Signal White	105-105-18	9 0 0 1 4 2 5 1
48V DALI track recessed	Jet Black	105-105-18	9 0 0 1 4 2 5 2

L-Connector non-electrical

TYPE	COLOUR	L · W · H (MM)	ORDERCODE
48V DALI track recessed	Signal White	105-105-18	9 0 0 1 4 2 5 6
48V DALI track recessed	Jet Black	105-105-18	9 0 0 1 4 2 5 7
48V DALI track surface/suspended	Signal White	105-105-18	9 0 0 1 4 2 5 8
48V DALI track surface/suspended	Jet Black	105-105-18	9 0 0 1 4 2 5 9

Power Supply 250W

TYPE	L · W · H (MM)	ORDERCODE
48V remote	400-40-22	9 0 2 1 8 9 0 3