



WEVER & DUCRÉ  
LIGHTING

# MICK on track 2.0

159562J3

Project

Type

Notes

Quantity

Date

## GENERAL

Ceiling

Track

Signal White + Gold

IP20

Interior

655 lm

## LED

2700 K

CRI 90

L80 / 50000 h

3-step binning

## OPTICAL

Beam angle 18°

## PHYSICAL

Length 26 mm

Width 26 mm

Height 130 mm

0.44 kg

171 (adapter) mm

Tilt min 90°

Tilt max 90°

Rotation 360°

## ELECTRICAL

non dim

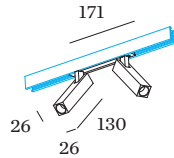
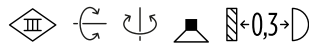
48 V

Total connected power 20 W

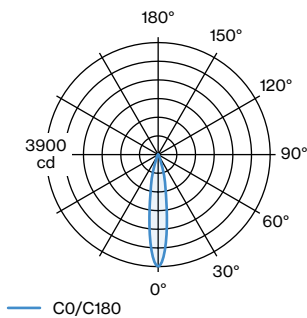
LED Inset 17 W

PC3

Safety distance 0.3 m



## LIGHT DISTRIBUTION





WEVER & DUCRÉ  
LIGHTING

# MICK on track 2.0

159562J3

## CONE DIAGRAM

18°

h (m)	E0° (lx)	ø (m)
1	3890	0.31
2	973	0.62
3	433	0.93
4	243	1.25
5	156	1.56

## ELECTRICAL

### Track Profile 1m

TYPE	COLOUR	L - W - H (MM)	ORDERCODE
48V DALI   surface/suspended   custom cut	Signal White	200-999-26-29	9 0 0 1 4 1 8 1 C C
48V DALI   surface/suspended   custom cut	Jet Black	200-999-26-29	9 0 0 1 4 1 8 2 C C
48V DALI   recessed   custom cut	Signal White	200-999-37-33	9 0 0 1 4 1 8 7 C C
48V DALI   recessed   custom cut	Jet Black	200-999-37-33	9 0 0 1 4 1 8 8 C C
48V DALI   surface/suspended	Signal White	1000-26-29	9 0 0 1 4 1 8 1
48V DALI   surface/suspended	Jet Black	1000-26-29	9 0 0 1 4 1 8 2
48V DALI   recessed	Signal White	1000-37-33	9 0 0 1 4 1 8 7
48V DALI   recessed	Jet Black	1000-37-33	9 0 0 1 4 1 8 8

### Track Profile 2m

TYPE	COLOUR	L - W - H (MM)	ORDERCODE
48V DALI   surface/suspended   custom cut	Signal White	1001-1999-26-29	9 0 0 1 4 1 8 3 C C
48V DALI   surface/suspended   custom cut	Jet Black	1001-1999-26-29	9 0 0 1 4 1 8 4 C C
48V DALI   recessed   custom cut	Signal White	1001-1999-37-33	9 0 0 1 4 1 8 9 C C
48V DALI   recessed   custom cut	Jet Black	1001-1999-37-33	9 0 0 1 4 1 9 0 C C
48V DALI   suspended indirect light	Jet Black	2000-26-29	9 0 0 1 4 0 B 5
48V DALI   suspended indirect light	Signal White	2000-26-29	9 0 0 1 4 0 W 5
48V DALI   surface/suspended	Signal White	2000-26-29	9 0 0 1 4 1 8 3
48V DALI   surface/suspended	Jet Black	2000-26-29	9 0 0 1 4 1 8 4
48V DALI   recessed	Signal White	2000-37-33	9 0 0 1 4 1 8 9
48V DALI   recessed	Jet Black	2000-37-33	9 0 0 1 4 1 9 0



WEVER & DUCRÉ  
LIGHTING

# MICK on track 2.0

159562J3

## Track Profile 3m

TYPE	COLOUR	L - W - H (MM)	ORDERCODE
48V DALI   surface/suspended   custom cut	Signal White	2001-2999-26-29	9 0 0 1 4 1 8 5 C C
48V DALI   surface/suspended   custom cut	Jet Black	2001-2999-26-29	9 0 0 1 4 1 8 6 C C
48V DALI   recessed   custom cut	Signal White	2001-2999-37-33	9 0 0 1 4 1 9 1 C C
48V DALI   recessed   custom cut	Jet Black	2001-2999-37-33	9 0 0 1 4 1 9 2 C C
48V DALI   surface/suspended	Signal White	3000-26-29	9 0 0 1 4 1 8 5
48V DALI   surface/suspended	Jet Black	3000-26-29	9 0 0 1 4 1 8 6
48V DALI   recessed	Signal White	3000-37-33	9 0 0 1 4 1 9 1
48V DALI   recessed	Jet Black	3000-37-33	9 0 0 1 4 1 9 2
48V DALI   suspended indirect light	Jet Black	3000-26-29	9 0 0 1 4 1 B 5
48V DALI   suspended indirect light	Signal White	3000-26-29	9 0 0 1 4 1 W 5

## End Cap

TYPE	COLOUR	L - W - H (MM)	ORDERCODE
48V DALI track   surface/suspended	Signal White	26-2.5-29	9 0 0 1 4 1 4 7
48V DALI track   surface/suspended	Jet Black	26-2.5-29	9 0 0 1 4 1 4 8
48V DALI track   recessed	Signal White	37-10-27	9 0 0 1 4 1 4 9
48V DALI track   recessed	Jet Black	37-10-27	9 0 0 1 4 1 5 0

## Power Feed

TYPE	COLOUR	L - H (MM)	ORDERCODE
48V DALI track	Signal White	112-18	9 0 0 1 4 1 5 3
48V DALI track	Jet Black	112-18	9 0 0 1 4 1 5 4

## Suspension Set

TYPE	L - W - H (MM)	ORDERCODE
1.5m   48V DALI   suspended	80-23-1500	9 0 0 1 4 1 6 0
3.0m   48V DALI   suspended	80-23-3000	9 0 0 1 4 1 6 1

## Power Supply 100W

TYPE	COLOUR	L - W - H (MM)	ORDERCODE
48V   incl. DALI wiring   surface	Signal White	439-26-44	9 0 0 1 4 1 6 6
48V   incl. DALI wiring   surface	Jet Black	439-26-44	9 0 0 1 4 1 6 7
48V   incl. DALI wiring   suspended	Signal White	439-26-44	9 0 0 1 4 1 6 8
48V   incl. DALI wiring   suspended	Jet Black	439-26-44	9 0 0 1 4 1 6 9
48V   remote		350-30-18	9 0 2 1 8 9 0 1

## Power Supply 150W

TYPE	COLOUR	L - W - H (MM)	ORDERCODE
48V   incl. DALI wiring   surface	Signal White	439-26-44	9 0 0 1 4 1 7 0
48V   incl. DALI wiring   surface	Jet Black	439-26-44	9 0 0 1 4 1 7 1
48V   incl. DALI wiring   suspended	Signal White	439-26-44	9 0 0 1 4 1 7 2
48V   incl. DALI wiring   suspended	Jet Black	439-26-44	9 0 0 1 4 1 7 3
48V   remote		350-30-18	9 0 2 1 8 9 0 2

[159562J3] The technical data represent rated values for an ambient temperature of 25°C. The data values for the luminous flux are initially subject to a tolerance of +/- 10%, those for December 15, 2020 the electrical connected load are initially subject to a tolerance of +/- 10%, and those for the colour temperature are initially subject to a tolerance of +/- 150 K. No liability is assumed for typographical or printing errors. The general terms and conditions of Wever & Ducré BVBA apply.  
© Wever & Ducré BVBA · Spinnerijstraat 99/21 · 8500 Kortrijk · Belgium · www.weverducre.com



WEVER & DUCRÉ  
LIGHTING

# MICK on track 2.0

159562J3

## Mounting Bracket

TYPE	ORDERCODE
48V DALI track   recessed	9 0 0 1 4 1 9 3

## Wireless Control

TYPE	COLOUR	L · H (MM)	ORDERCODE
48V DALI track	Signal White	143-58	9 0 0 1 4 1 9 4
48V DALI track	Jet Black	143-58	9 0 0 1 4 1 9 5

## Connector

TYPE	COLOUR	L · H (MM)	ORDERCODE
48V DALI track	Signal White	105-18	9 0 0 1 4 1 9 6
48V DALI track	Jet Black	105-18	9 0 0 1 4 1 9 7

## L-Connector

TYPE	COLOUR	L · W · H (MM)	ORDERCODE
48V DALI track   surface/suspended	Signal White	105-105-18	9 0 0 1 4 1 9 8
48V DALI track   surface/suspended	Jet Black	105-105-18	9 0 0 1 4 1 9 9
48V DALI track   recessed	Signal White	105-105-18	9 0 0 1 4 2 5 1
48V DALI track   recessed	Jet Black	105-105-18	9 0 0 1 4 2 5 2

## L-Connector non-electrical

TYPE	COLOUR	L · W · H (MM)	ORDERCODE
48V DALI track   recessed	Signal White	105-105-18	9 0 0 1 4 2 5 6
48V DALI track   recessed	Jet Black	105-105-18	9 0 0 1 4 2 5 7
48V DALI track   surface/suspended	Signal White	105-105-18	9 0 0 1 4 2 5 8
48V DALI track   surface/suspended	Jet Black	105-105-18	9 0 0 1 4 2 5 9

## Power Supply 250W

TYPE	L · W · H (MM)	ORDERCODE
48V   remote	400-40-22	9 0 2 1 8 9 0 3