

# STATION

13-Apr.-2018

## 1.0

LED 6W | 220-240VAC | 50-60Hz | COB 3-step | incl. PS | phase-cut dim

CE IP20 0.3m

3000K | >90CRI | 480lm

white texture  
aluminium brushed

314574M05  
314574L5

## 2.0

LED 2xLED 4W | 220-240VAC | 50-60Hz | COB 3-step | incl. PS | phase-cut dim

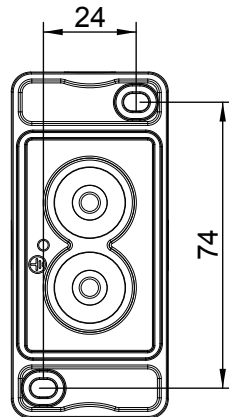
CE IP20 0.3m

3000K | >90CRI | 2x290lm

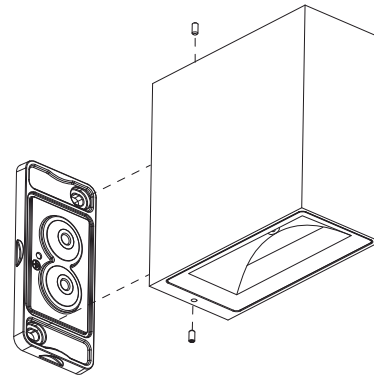
white texture  
aluminium brushed

314674W5  
314674L5

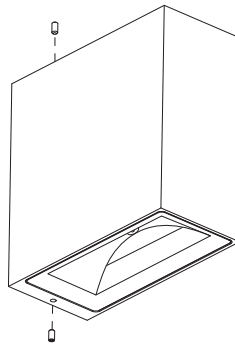
back plate dimensions



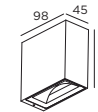
①



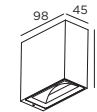
②



## DIMENSIONS



STATION 1.0



STATION 2.0

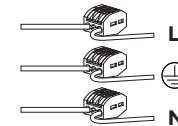
## MOUNTING INSTRUCTION

- ① Remove the back plate and fixate it to the wall with screws

## POWER CONNECTION

- ② Connect the power supply.

Interior: STANDARD version



- ③ Fixate the fixture base to the back plate with the side screws



WEVER & DUCRÉ  
LIGHTING

[www.weverducre.com](http://www.weverducre.com)

Wever & Ducre bvba Spinnerijstraat 99/21 8500 Kortrijk

INSTALLATION  
INSTRUCTIONS

PAGE 1/2

# STATION

13-Apr.-2018

## 1.0

**LED** 8W | 220-240VAC | 50-60Hz | COB 3-step | incl. PS | phase-cut dim

CE IP65 0.3m

3000K | >90CRI | 480lm

white texture  
dark grey texture  
black texture

314774W5

314774D5

314774B5

## 2.0

**LED** 2xLED 4W | 220-240VAC | 50-60Hz | COB 3-step | incl. PS | phase-cut dim

CE IP65 0.3m

3000K | >90CRI | 2x290lm

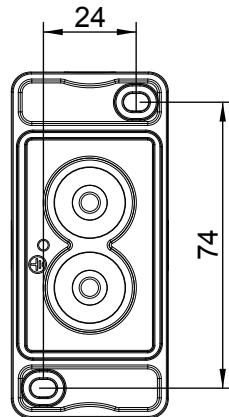
white texture  
dark grey texture  
black texture

314874W5

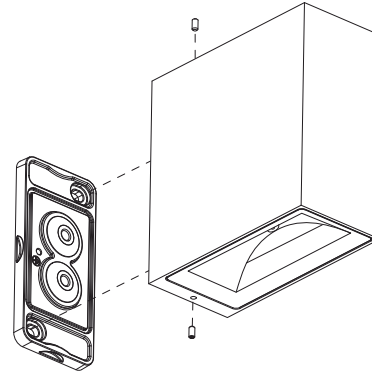
314874D5

314874B5

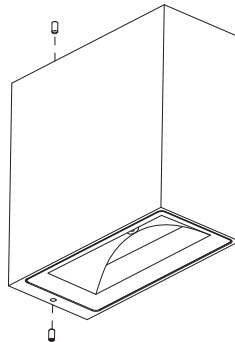
back plate dimensions



①

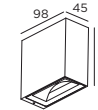


②

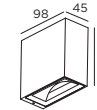


	A	B	C
use pin to make hole, not a knife			
CABLE			
TYPE	ROUND H05RN-F H07RN8-F H07RN-F	ROUND H05RN-F	ROUND
OUTSIDE Ø	min 6.8mm max 8.9mm	min 5mm max 6.8mm	min 1.5mm max 2.6mm
CONDUCTION SECTION	2or3x 0.75mm <sup>2</sup> 2or3x 1.0mm <sup>2</sup> 2or3x 1.5mm <sup>2</sup>	2or3x 0.75mm <sup>2</sup> 2x 1.0mm <sup>2</sup>	0.75mm <sup>2</sup> 1.5mm <sup>2</sup>

## DIMENSIONS



STATION 1.0



STATION 2.0

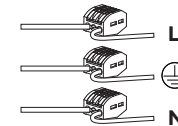
## MOUNTING INSTRUCTION

- Remove the back plate and fixate it to the wall with screws

## POWER CONNECTION

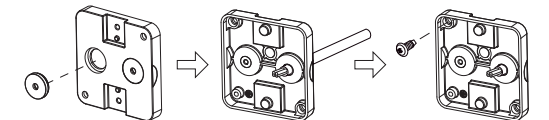
- Connect the power supply.

Interior: STANDARD version



Exterior: WATERPROOF Connection

IP-rated connections for wall fixtures: cable isolation for round cables  $\varnothing$  4.5-7.5 mm, should be in the grommet. For cable use  $\varnothing$  7.0-9.5 mm: replace the grommet with the other grommet in the bag.



Push the grommet into the back plate.

Pull the cable through the back plate.

Mount the back plate on the wall.

- Fixate the fixture base to the back plate with the side screws



WEVER & DUCRÉ  
LIGHTING

www.weverducre.com

Wever & Ducré bvba Spinnerijstraat 99/21 8500 Kortrijk

INSTALLATION  
INSTRUCTIONS  
PAGE 2/2