

# TAPE ground

29-May-2019

## 4.0

**LED** 8W | 220-240VAC | 50-60Hz | COB 3-step | incl. PS | phase-cut dim

CE  $\oplus$  IP65  $\text{960}^\circ\text{C}$   $\downarrow$ 0.3m  $\text{E}$   $\text{E}$

3000K | >90CRI | 420lm

white texture

722274W5

dark grey texture

722274D5

### OPTIONAL

groundspike

90013102

## 6.0

**LED** 8W | 220-240VAC | 50-60Hz | COB 3-step | incl. PS | phase-cut dim

CE  $\oplus$  IP65  $\text{960}^\circ\text{C}$   $\downarrow$ 0.3m  $\text{E}$   $\text{E}$

3000K | >90CRI | 420lm

white texture

722374W5

dark grey texture

722374D5

### OPTIONAL

groundspike

90013102

## 8.0

**LED** 8W | 220-240VAC | 50-60Hz | COB 3-step | incl. PS | phase-cut dim

CE  $\oplus$  IP65  $\text{960}^\circ\text{C}$   $\downarrow$ 0.3m  $\text{E}$   $\text{E}$

3000K | >90CRI | 420lm

white texture

722474W5

dark grey texture

722474D5

### OPTIONAL

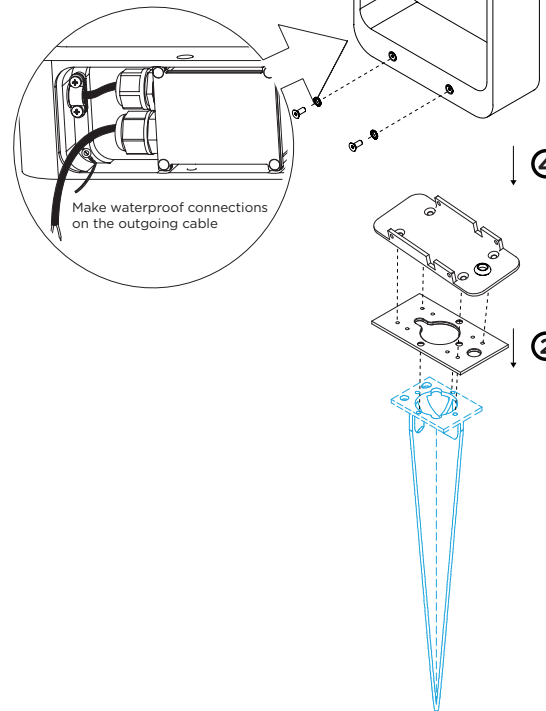
groundspike

90013102

\* DO NOT COVER BASE (moss, bark, ...). Permanent moisture & possible chemical processes from eg. fertilization might lead in some combinations to a corrosive reaction.

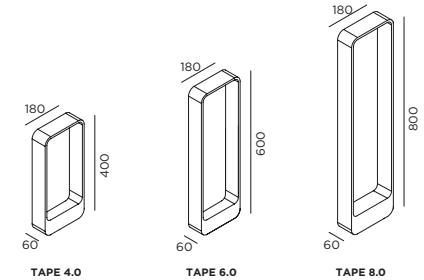


No need to open the box during installation.  
Product is already pre-cabled.



Make waterproof connections on the outgoing cable

## DIMENSIONS

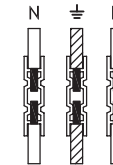


## MOUNTING INSTRUCTION

- ① Remove the mounting plate
- ② Fix the mounting plate on the ground with screws or mount on the groundspike

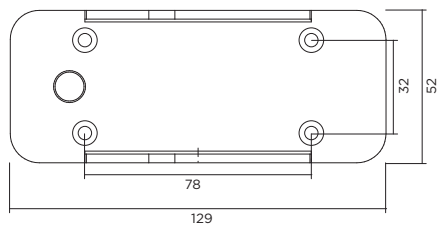
## POWER CONNECTION

- ③ Connect the wires with the waterproof connections



- ④ Fix the housing on the mounting plate

mounting plate dimensions



OPTIONAL, (ORDER SEPARATELY)  
groundspike dimensions

