

MIRBI IP44 ceiling surface

28-Mar.-2020

1.0 LED

LED 7W | 220-240VAC | PCB 3-step | incl. PS | phase-cut dim

CE IP44 0,3m P E A

3000K | >90CRI | 440lm

white texture / clear + opal PMMA

175188W5

black texture / clear + opal PMMA

175188E5

2.0 LED

LED 7W | 220-240VAC | PCB 3-step | incl. PS | phase-cut dim

CE IP44 0,3m P E A

3000K | >90CRI | 440lm

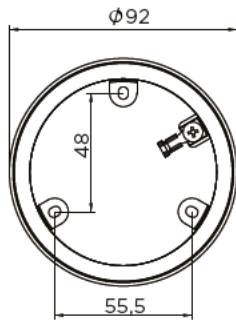
white texture / clear + opal PMMA

175288W5

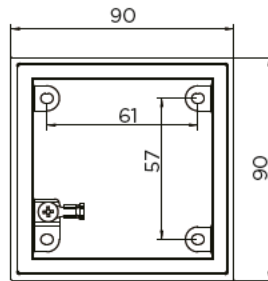
black texture / clear + opal PMMA

175288E5

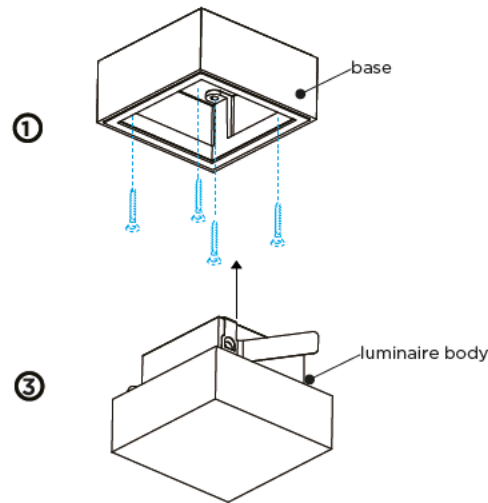
Base dimensions:



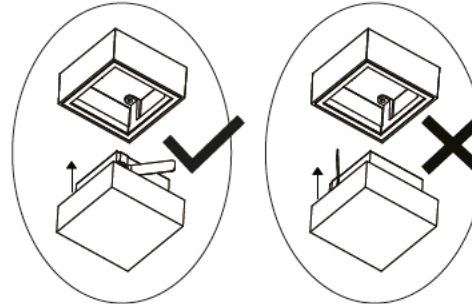
1.0



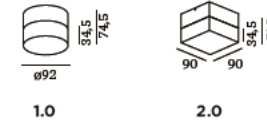
2.0



Please pay attention to the matching direction between the luminaire body and the base!



DIMENSIONS

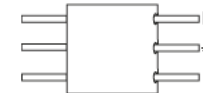


MOUNTING INSTRUCTION

- 1 Mount the base on the ceiling with screws. (Screws are not included.)

POWER CONNECTION

- 2 Interior: STANDARD version



- 3 Insert the luminaire body in the base by pushing in the blade springs.

The light source of the integrated LED is not replaceable.



Caution, risk of electric shock