

BAIT MA MA

by Neri&Hu, 2014

Suspension lamp. Structure and canopy in bronze electroplated steel. Diffuser in blown transparent, amber and grey glass. Strip led column (dimmable 1-10V driver included) provide ambient light and led module placed at the bottom (connected direct to main) provide direct light. Led module are dimmable with phase-cut dimmers*. Strip led and led module included.

Type: Suspension lamp

Environment: Indoor

Structure: Steel

Diffuser: Glass

Voltage: 230 V

Supply: Terminal strip


Dimmable driver included

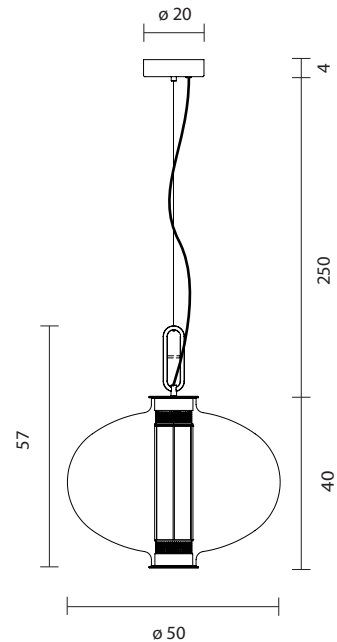
Cable length: 250 cm



Light source: Strip LED 9.6W 2700K 720Lm
+ Module LED $\varnothing 70$ 16.6W 2700K 1350Lm

BAIT MA MA

115000640976 **amber diffuser**
115000640977 **grey diffuser**
115000640978 **transparent diffuser**

 **6.3 kg**
11.3 kg



CE   IP-20

*For dimmable options, please contact office@parachilna.eu