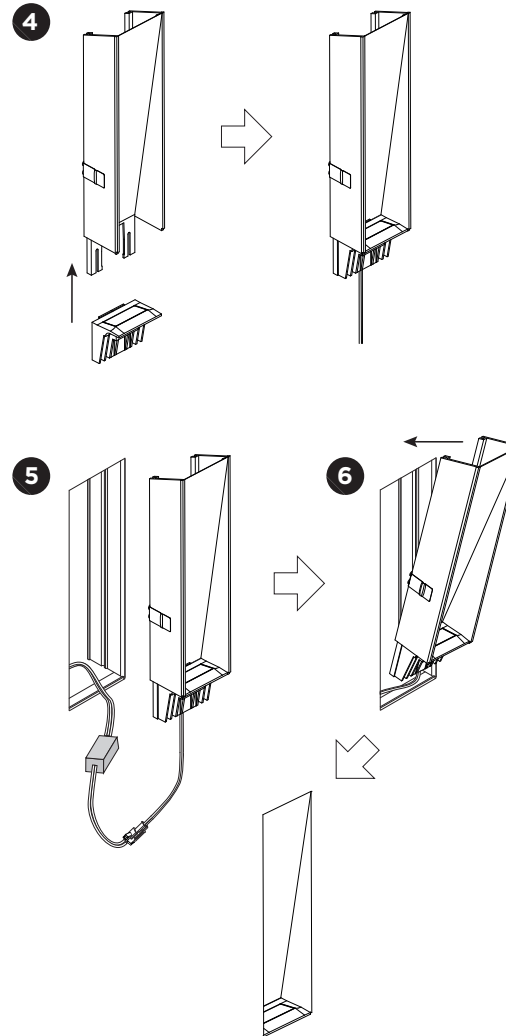
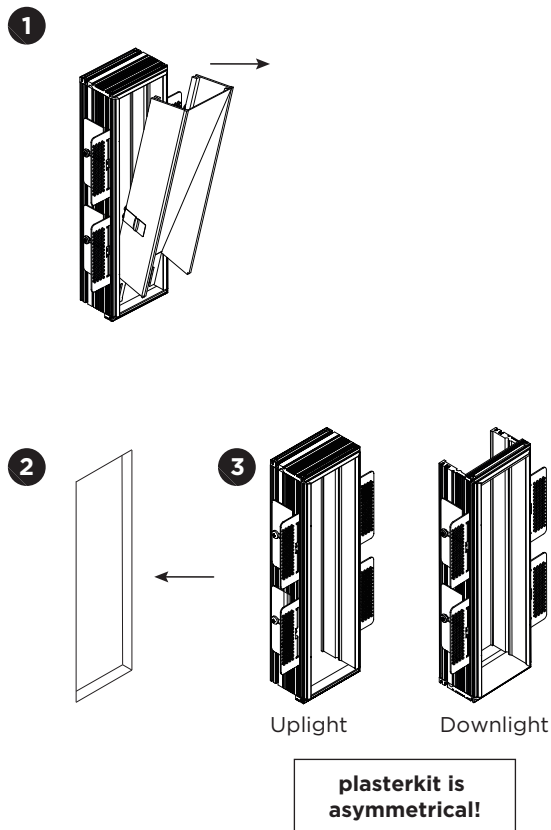
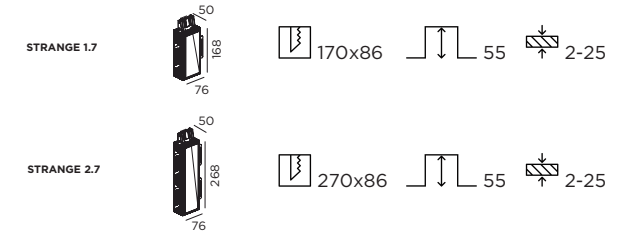


# STRANGE

INSTALLATION INSTRUCTIONS | DECEMBER 2022



## DIMENSIONS



## MOUNTING INSTRUCTION

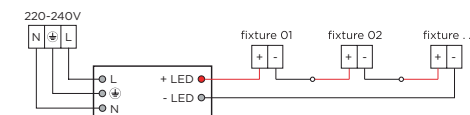
- 1 Remove the reflector from the plasterkit.
- 2 Make a hole in the wall according to the prescribed dimensions.
- 3 Install the plasterkit into the hole (see page 2 for detail).

- 4 Mount the LED module on the reflector.

## 5 POWER CONNECTION

SERIAL CONNECTION

Always use **POWER SUPPLY** according to the specifications of the LED module

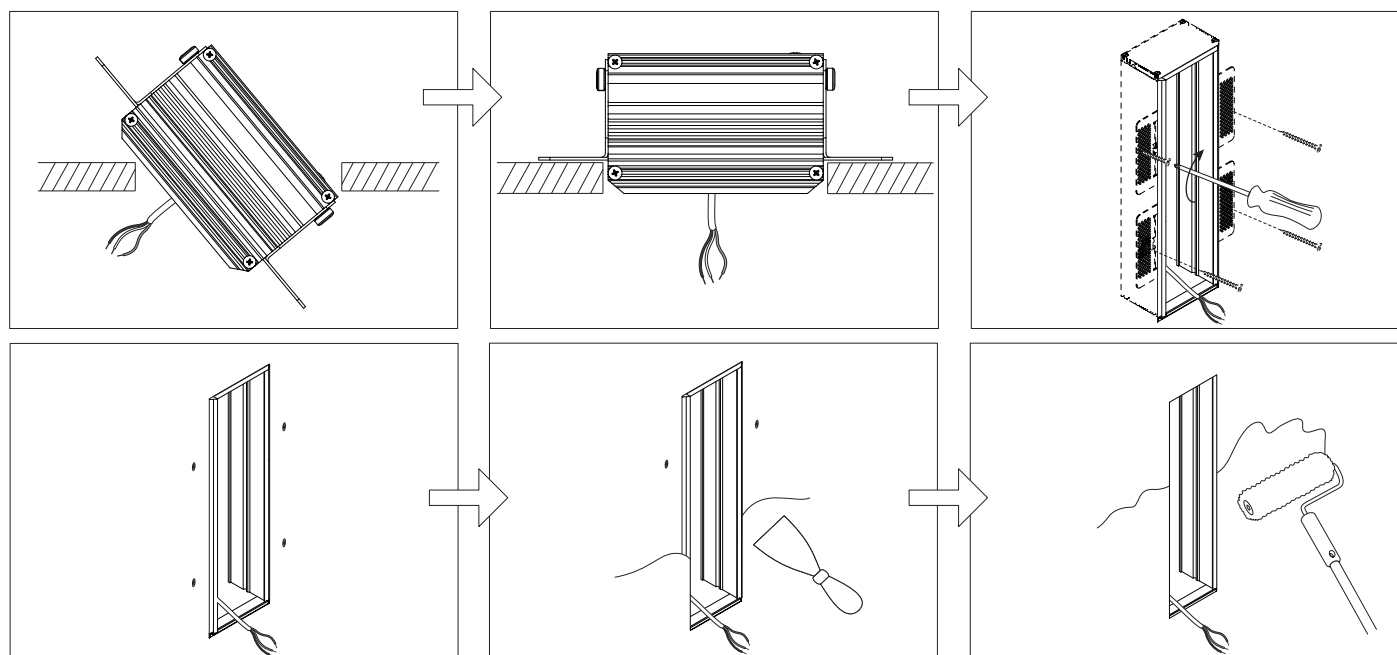
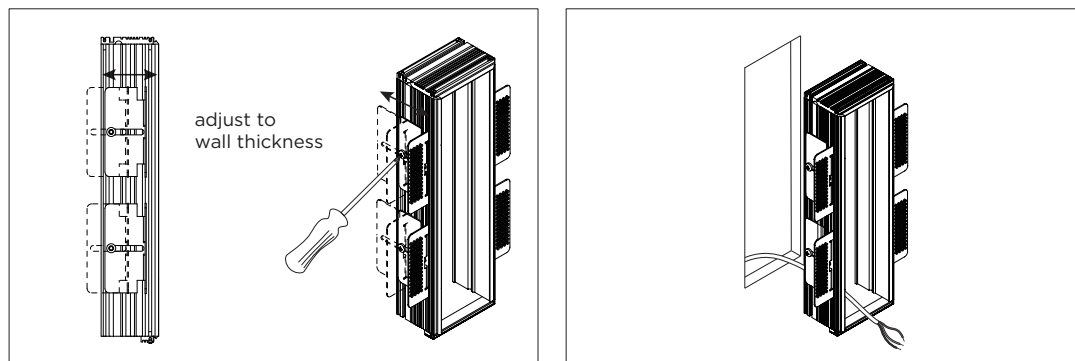


- 6 Insert the fixture into the plasterkit by tilting it.

# STRANGE

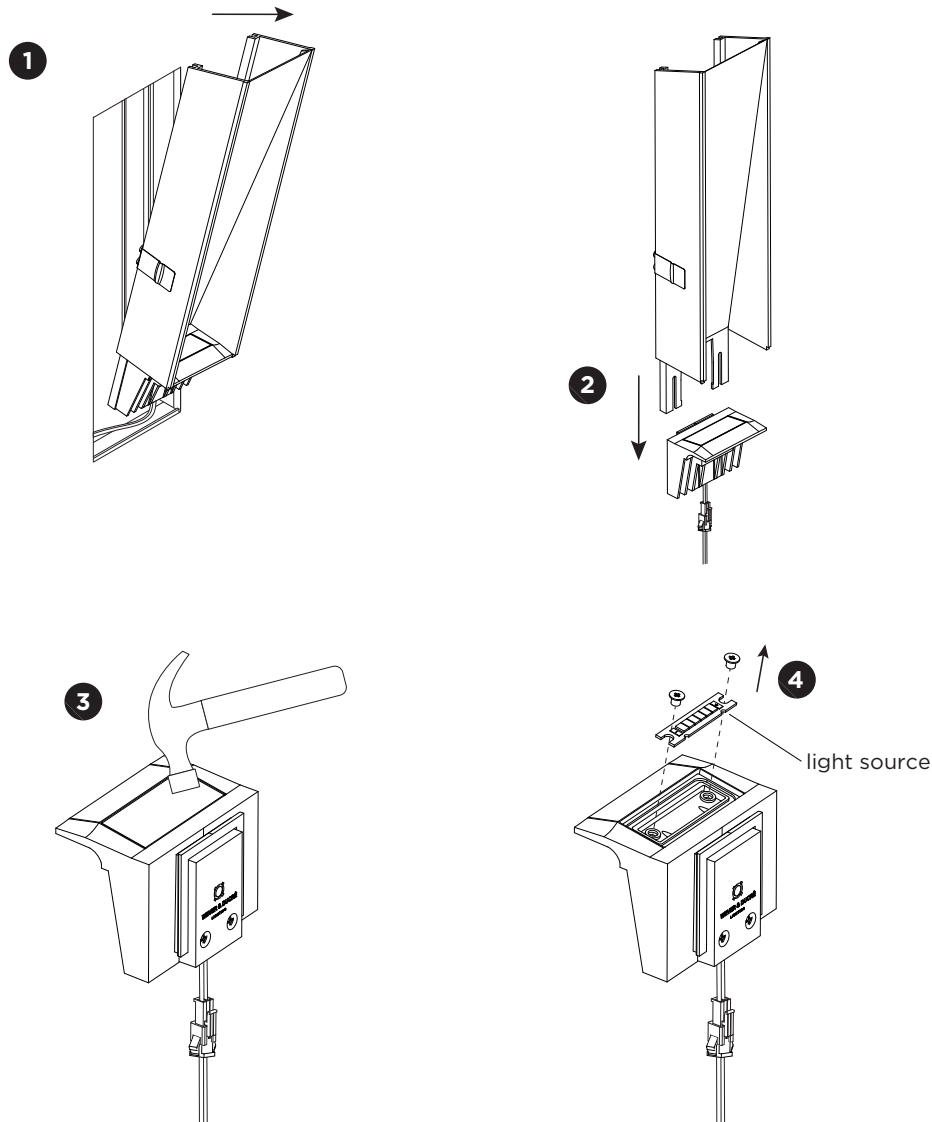
INSTALLATION INSTRUCTIONS | DECEMBER 2022

Install the plasterkit into the wall hole.



# STRANGE

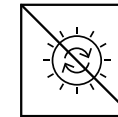
INSTALLATION INSTRUCTIONS | DECEMBER 2022



## DISMOUNTING AND RECYCLING INSTRUCTIONS

### Light source

- 1 Dismount the fixture in opposite direction to the mounting instruction.
- 2 Unplug the connector and remove the LED module from the reflector.
- 3 Break the glass.
- 4 Unscrew the light source to remove it.



The light source is not replaceable.



This luminaire contains a light source with the energy class F.



WEVER & DUCRÉ  
LIGHTING

WEVER & DUCRÉ BV

Spinnerijstraat 99/21, 8500 Kortrijk, Belgium  
weverducre.com