



WEVER & DUCRÉ
LIGHTING

COSTA 1.0

8651860B9

Project
Type
Notes
Quantity
Date

GENERAL

Floor
 Surface
 White LLDPE + Black
 IP65
 Exterior
 130 lm

LED

4000 K
 CRI 80
 L90 / 50000 h
 3-step binning

PHYSICAL

Diameter 235 mm
 Height 350 mm
 0.9 kg

ELECTRICAL

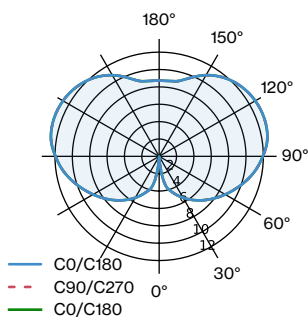
110 - 220 V
 Total connected power 2.5 W
 PC3



IP65



LIGHT DISTRIBUTION





WEVER & DUCRÉ
LIGHTING

COSTA 1.0

8651860B9

Maintenance Factors

Operating Time [h]	10 000	20 000	30 000	40 000	50 000
LLMF	0.98	0.95	0.93	0.91	0.9
LSF	1	1	1	1	1

MF LMF × RSMF × LLMF × LSF RSMF^a Room Surface Maintenance Factor
 MF Maintenance Factor LLMF Lamp Lumens Maintenance Factor
 LMF^a Luminaire Maintenance Factor LSF Lamp Survival Faktor

^a According to "CIE 97, Maintenance of indoor electric lighting systems", 2005, ISBN 3-900-734-34-8. The values must be determined by the planner.

ROPE

Rope

TYPE	COLOUR	Ø · H (MM)	ORDERCODE
COSTA 1.0	Black	390 · ø390-335	9 0 0 5 7 1 7 0
COSTA 1.0	Sand	ø390-335	9 0 0 5 7 1 7 1

POLE

POLE

TYPE	Ø · H (MM)	ORDERCODE
COSTA	450 · ø350-1800	9 0 0 5 6 0 0 1