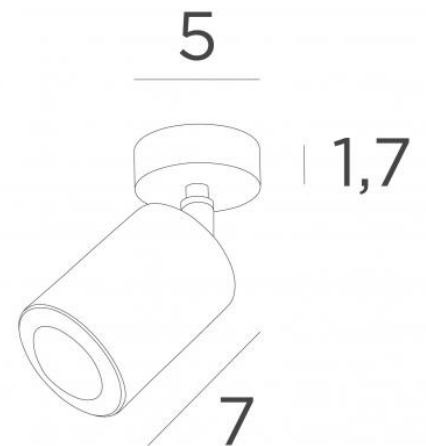




SIRIUS MOBILE



SIRIUS MOBILE in structured black



A spotlight with a clean design and an original touch, unique in its kind. It has become an essential part of the *Lighting Collection*

This small spotlight, which is placed on the ceiling, can be oriented in all directions

Possibility of fitting high-powered bulb

OVERALL SIZES

Ø5 x 1,7cm H7,5→12,3cm Spotlight : Ø5,3 x 7cm

TECHNICAL DATA

One spotlight mounted on a 360° adjustable joint

One GU10 fitting

No driver : this spotlight works directly on 230V

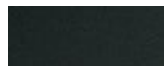
Dimmable

A fixing plate for the ceiling base ([plan in PDF](#))

AVAILABLE METAL FINISHES AND CODES



01 - Structured white - 5182 001



02 - Structured black - 5182 002



28 - Light bronze - 5182 028



29 - Brushed bronze - 5182 029



32 - Brushed chrome - 5182 032

