

FLOS

F1811044 Anodized Champagne

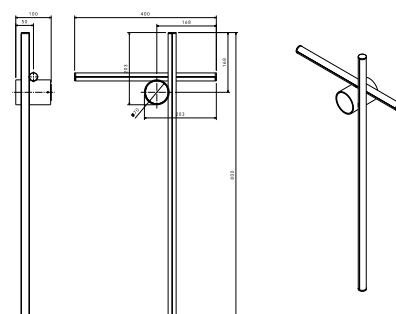
Coordinates Wall 2

Designed by Michael Anastassiades, 2020



24W - 1402lm - 2700K - CRI> 90

Wall-mounted diffuse lighting device composed of a horizontal bar (model Wall 1) or vertical and horizontal bar (model W2). Each bar is composed of: extruded and processed aluminium body anodized in a champagne colour; diffuser in platinum optical silicone; integrated LED strip (CRI 90). Each model comes with its own rose, whose integrated electronics allow for the use of different dimmer systems.



Are you a professional and your project needs consulting and support?

[BOOK AN APPOINTMENT](#)

Main specifications

EAN	8059607035306
Mounting	Wall
Environments	Indoor dry location
Light Source Type	LED
LED type	LED Module
Power (W)	24
System power (W)	24
System flux (lm)	1402

Physical

Colour	Anodized Champagne
Net weight (kg)	1
Package height (mm)	145
Package width (mm)	495
Package length (mm)	930
Package volume (m3)	0.07
IP internal	20

Download

- [Mounting instructions](#) PDF
- [Compatible dimmers](#) PDF

Photometric Files

- [ULD](#) ZIP
- [LDT / IES](#) LDT

Technical Drawings

- [3D](#) ZIP
- [Bim](#) ZIP



Photometric

Light distribution	Asymmetric
CCT (K)	2700
CRI>	90
Extreme cut off	No

Electrical

Insulation class	I
Frequency (Hz)	50/60
Main voltage (Vac)	230
Power Supply	Integrated
Dimmable	Yes
Power Supply Type	Mains Cut Dimming
Dimming interface	Remote Dimmable (Dimmer Not Included)
Batteries inside	No

Ecodesign and Energy Labelling

This product contains a light source of energy efficiency class F



Replaceable (LED only) light source by a professional



Replaceable control gear by a professional