

# TRAIN (indoor)

15-Apr.-2020

## 1.0

**LED** 6W | 220-240VAC | 50-60Hz | COB 3-step | phase cut dim

CE IP20 0.3m 36°

3000K | >90CRI | 420lm

aluminium brushed  
white texture

306668L5  
306668W5

2700K | >90CRI | 390lm

gold  
white texture  
black texture

306668G3  
306668W3  
306668B3

## 2.0

**LED** 2x4W | 220-240VAC | 50-60Hz | COB 3-step | phase cut dim

CE IP20 0.3m 36°

3000K | >90CRI | 2x280lm

aluminium brushed  
white texture

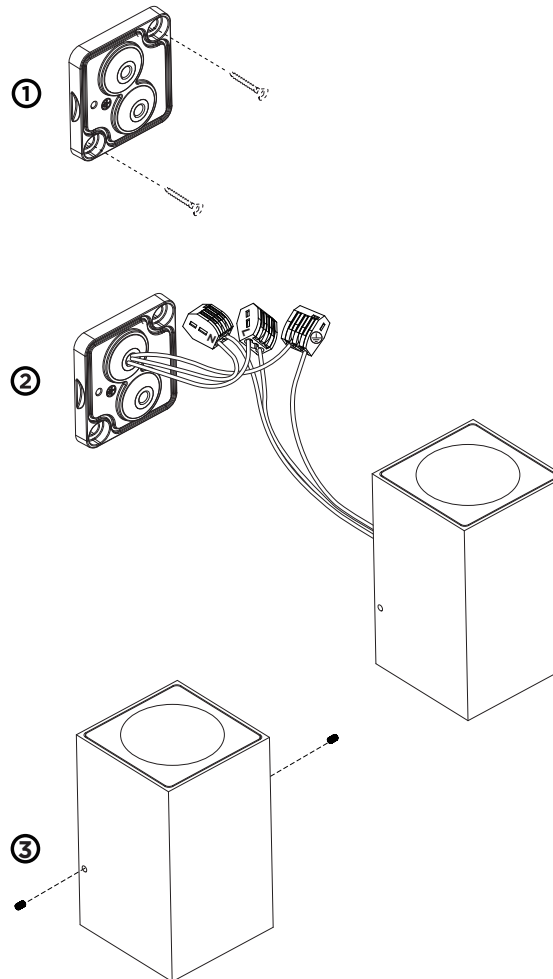
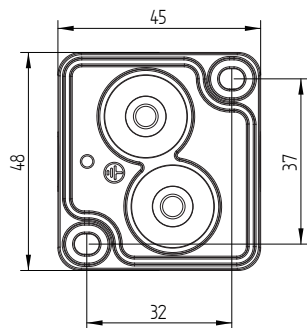
306768L5  
306768W5

2700K | >90CRI | 2x260lm

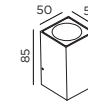
gold  
white texture  
black texture

306768G3  
306768W3  
306768B3

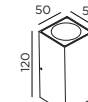
wall base dimensions



## DIMENSIONS



TRAIN 1.0



TRAIN 2.0

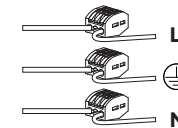
## MOUNTING INSTRUCTION

- 1 Attach the wall base on the wall with screws (screws are not included).

## 2 POWER CONNECTION

Connect to 220-240V.

Interior: STANDARD version



- 3 Attach the TRAIN on the wall base with the side screws.

# TRAIN (outdoor)

15-Apr.-2020

## 1.0

**LED** 6W | 220-240VAC | 50-60Hz | COB 3-step | phase cut dim

CE IP65 0.3m 38°

3000K | >90CRI | 420lm

dark grey texture

719868D5

white texture

719868W5

black texture

719868B5

## 2.0

**LED** 2x4W | 220-240VAC | 50-60Hz | COB 3-step | phase cut dim

CE IP65 0.3m 38°

3000K | >90CRI | 2x280lm

dark grey texture

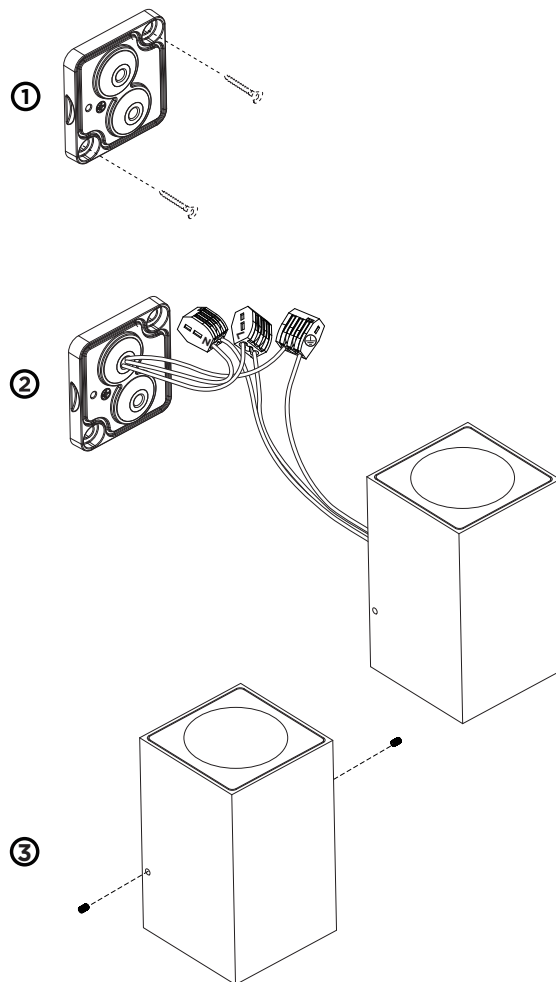
719968D5

white texture

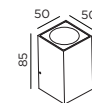
719968W5

black texture

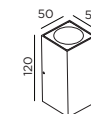
719968B5



## DIMENSIONS



TRAIN 1.0



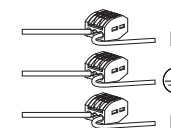
TRAIN 2.0

## MOUNTING INSTRUCTION

① Attach the wall base on the wall with screws (screws are not included).

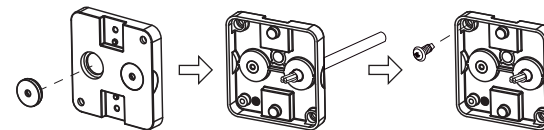
② **POWER CONNECTION**

Connect to 220-240V.



Exterior: WATERPROOF Connection

Please use a matching grommet based on the used 220-240V cable and the corresponding type in the overview table.



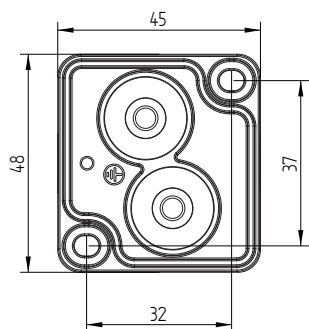
Push the grommet into the back plate.

Pull the cable through the back plate.

Mount the back plate on the wall.

③ Attach the TRAIN on the wall base with the side screws.

wall base dimensions



necessary for IP-rating

	A	B	C
use pin to make hole, not a knife	A	B	C
CABLE	A	B	C
TYPE	ROUND H05RN-F H07RN8-F H07RN-F	ROUND H05RN-F	ROUND
OUTSIDE Ø	min 6.8mm max 8.9mm	min 5mm max 6.8mm	min 1.5mm max 2.6mm
CONDUCTION SECTION	2or3x 0.75mm <sup>2</sup> 2or3x 1.0mm <sup>2</sup> 2or3x 1.5mm <sup>2</sup>	2or3x 0.75mm <sup>2</sup> 2x 1.0mm <sup>2</sup>	0.75mm <sup>2</sup> 1.5mm <sup>2</sup>



WEVER & DUCRÉ  
LIGHTING

www.weverducre.com

Wever & Ducre bvba Spinnerijstraat 99/21 8500 Kortrijk

INSTALLATION  
INSTRUCTIONS

PAGE 2/2