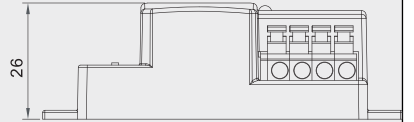
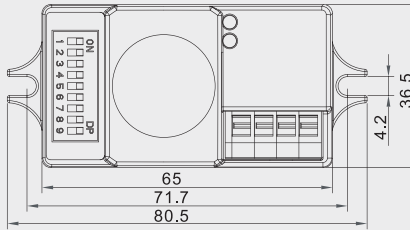
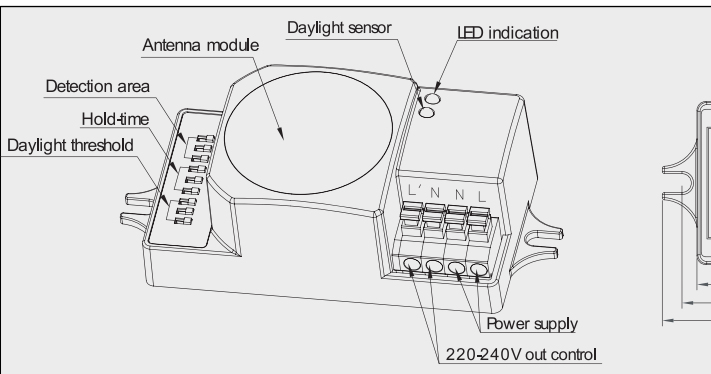
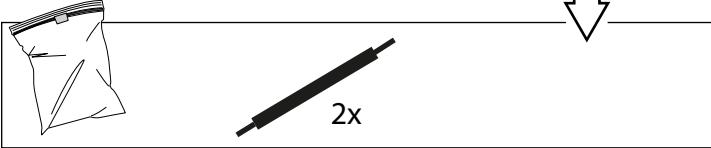
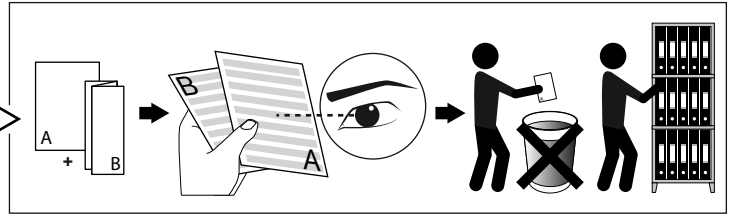
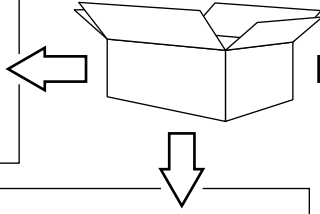
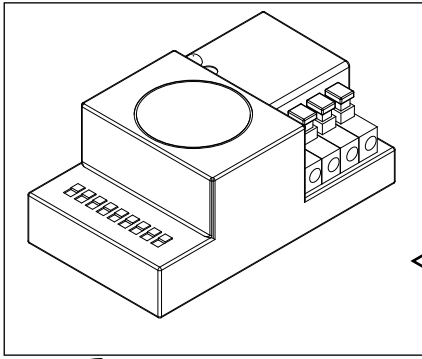


PRESENSE DETECTION HF SENSOR

DEEL
PARTIE
TEIL
PART
PARTE
PARTE **A**



U : 220-240V / 50-60Hz

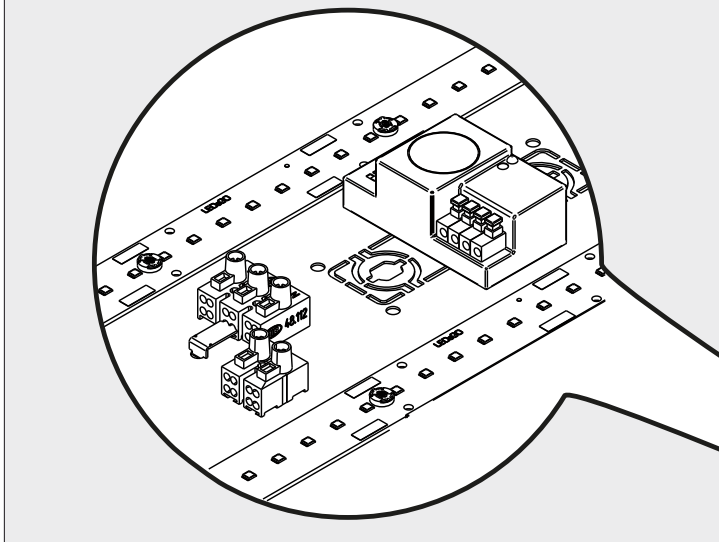


Beschermd tegen vaste voorwerpen die groter zijn dan 12 mm
 Protégé contre les objets solides de plus de 12 mm
 Geschützt gegen Festkörper größer als 12 mm
 Protected against solid objects greater than 12 mm
 Protegido contra objetos sólidos superiores a 12 mm
 Protetto contro oggetti solidi più grandi di 12 mm

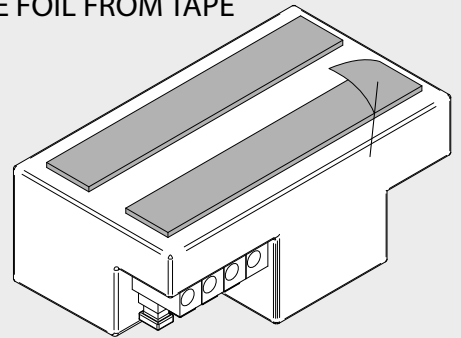


Goederen zijn dubbel geïsoleerd - geen aarding nodig
 Les produits ont une isolation double et ne peuvent pas être mis à la terre
 Güter sind doppelt isoliert und müssen nicht geerdet werden
 Goods have double insulation and must not be grounded
 Los productos tienen un aislamiento doble y no se pueden conectar a tierra
 I prodotti possiedono un doppio isolamento e non devono essere collegati a terra

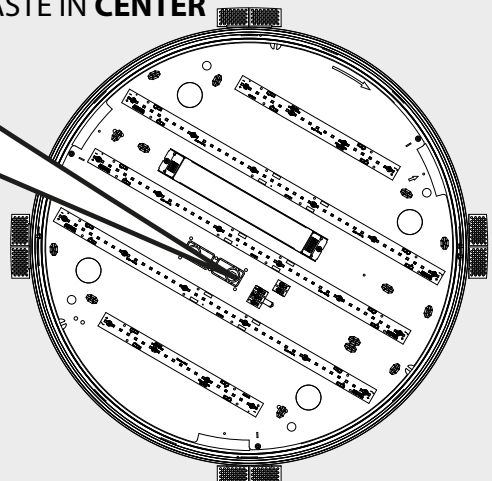
1 USED IN SUPERNOVA LINE

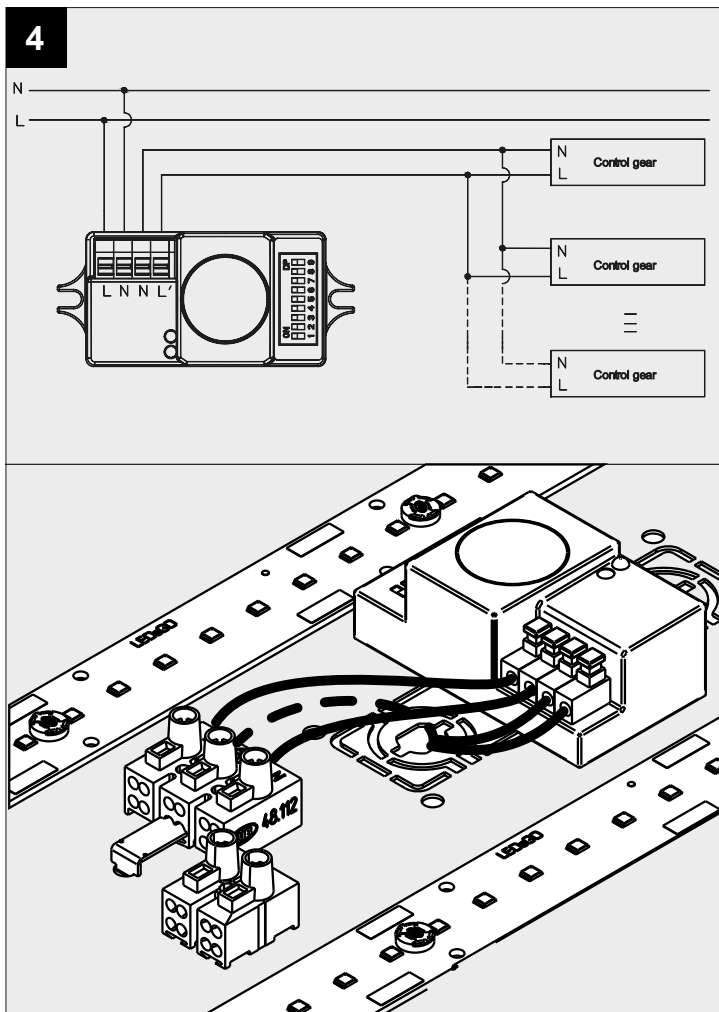
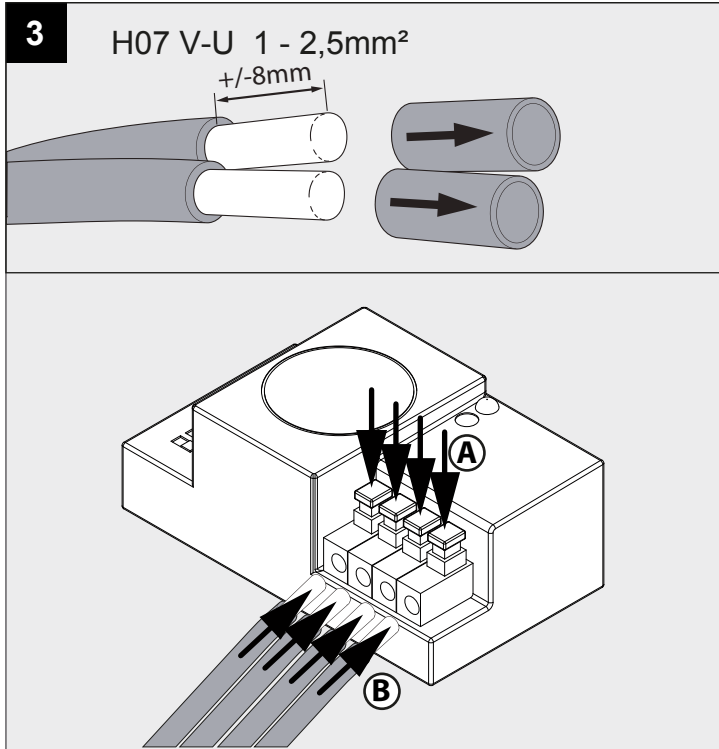


2a REMOVE FOIL FROM TAPE



2b PASTE IN CENTER





5

1 Detection area

Detection area can be reduced by selecting the combination on the DIPswitches to fit precisely for each specific application.

	1	2	3	
I	●	●	●	100%
II	○	●	●	75%
III	○	●	○	50%
IV	○	○	●	30%
V	○	○	○	10%

I – 100%
II – 75%
III – 50%
IV – 30%
V – 10%

2 Hold-time

Hold-time means the time period you would like to keep the lamp on 100% after the person has left the detection area.

	1	2	3	
I	●	●	●	5s
II	●	○	●	30s
III	●	○	○	1min
IV	○	●	●	5min
V	○	●	○	10min
VI	○	○	●	20min
VII	○	○	○	30min

I – 5s
II – 30s
III – 1min
IV – 5min
V – 10min
VI – 20min
VII – 30min

3 Daylight sensor

The daylight threshold can be set on DIPswitches, to fit for particular application.

“Daylight” : The lamp works always, even during daylight.
“Twilight” : The lamp works only in twilight.
“Darkness” : The lamp works only in darkness.

	1	2	3	
I	●	●	●	Disable
II	○	●	●	50Lux
III	○	●	○	20Lux
IV	○	○	●	5Lux
V	○	○	○	2Lux

I – Disable
II – 50 Lux
III – 20 Lux
IV – 5 Lux
V – 2 Lux