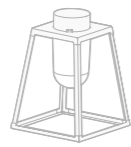
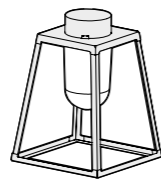


Lampiock 2

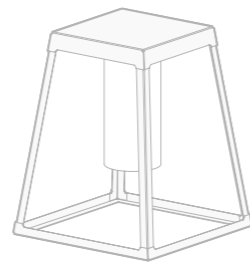
Design by Stéphane Joyeux



Lampiock 1



Lampiock 2



Lampiock 4





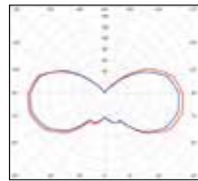
Lampiock 2

IP65 (lantern)
Class 1

Aluminium or tinted lacquered brass or patinated lacquered copper
Cup, rod, bracket and pole: black grey 107 (RAL 7021)
Clear or frosted glass diffuser

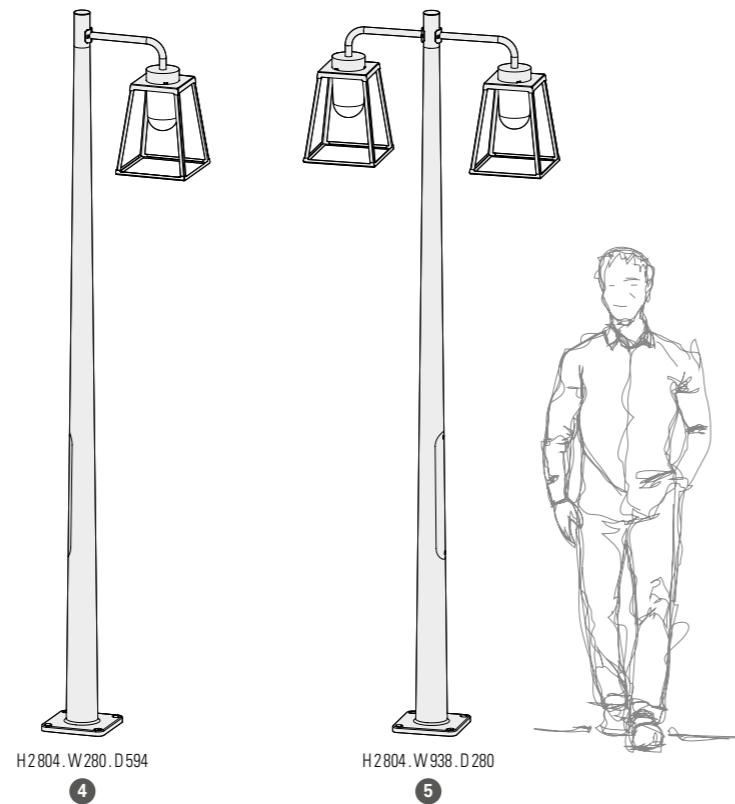
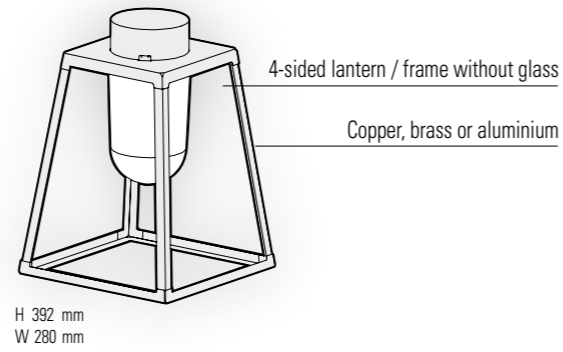
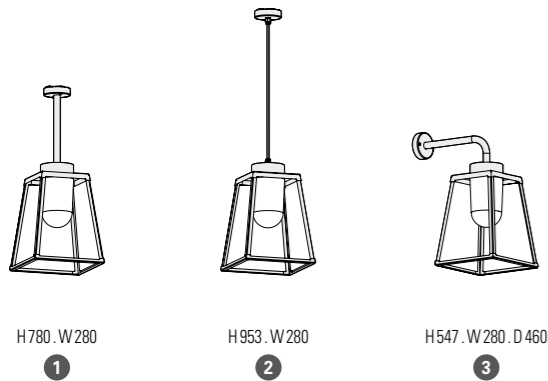
SOURCE

E27 - 52W max Ø80 mm - H172 mm max



E27 (2450 lm)
Real light output / frosted - 1558 lm
Real light output / clear - 1673 lm

MODELS



Lampiock 2

REFERENCES

Replace ●●● with the colour code or the material code

MODELS	DIFFUSERS	E27	CORNER PLATE	SPARE DIFFUSERS
1	CLEAR GLASS	178 001 ●●●		165 095 609
	FROSTED GLASS	178 002 ●●●		165 095 610
2	CLEAR GLASS	178 003 ●●●		165 095 609
	FROSTED GLASS	178 004 ●●●		165 095 610
3	CLEAR GLASS	178 005 ●●●	147 005 ●●●	165 095 609
	FROSTED GLASS	178 006 ●●●		165 095 610
4	CLEAR GLASS	178 007 ●●●		165 095 609
	FROSTED GLASS	178 008 ●●●		165 095 610
5	CLEAR GLASS	178 009 ●●●		165 095 609
	FROSTED GLASS	178 010 ●●●		165 095 610

COLOURS CODES

Replace ●●● with the colour code ↴

	RAL 7021 BLACK GREY 107		RAL 3013 TOMATO RED 110
	RAL 7044 SILK GREY 105		RAL 2004 PURE ORANGE 014
	RAL 9010 PURE WHITE 101		RAL 1016 SULFUR YELLOW 068
	BLUE 111		RAL 6025 FERN GREEN 109

Other colours on request

MATERIAL CODES

	TINTED LACQUERED BRASS 070
	PATINATED LACQUERED COPPER 080

With cup, rod, bracket and pole Black grey colour 107 (RAL 7021) for all materials

MOUNTING

Wiring entry points in grey - Fixing kit included - Anchor bolts on request (models 4, 5) p. 318

