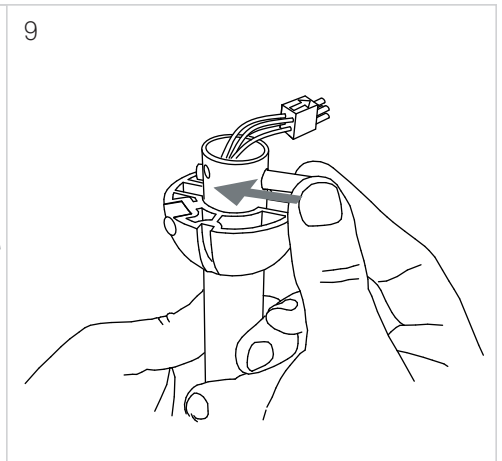
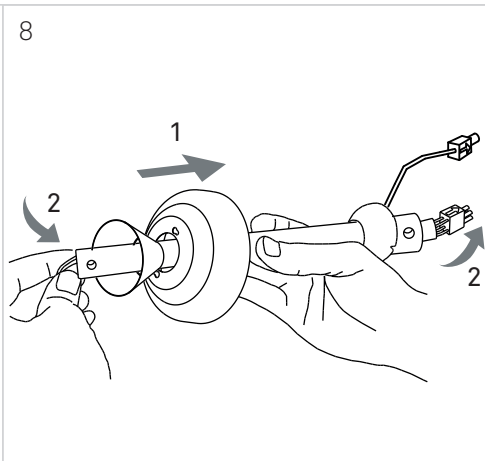
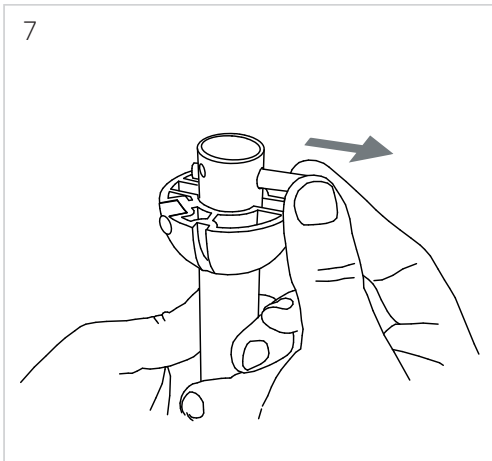
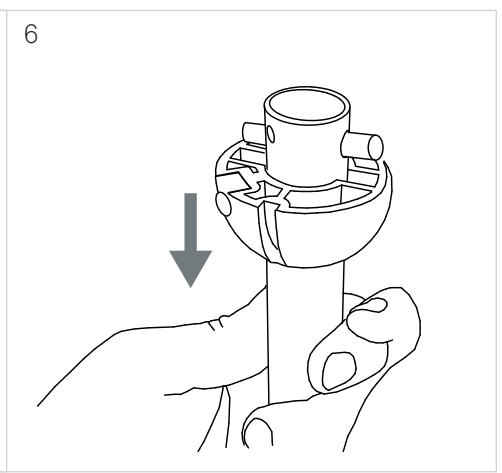
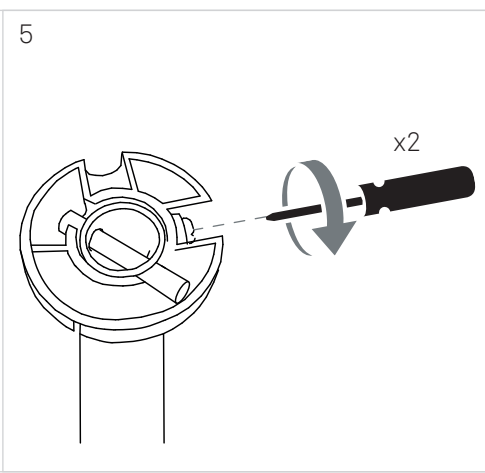
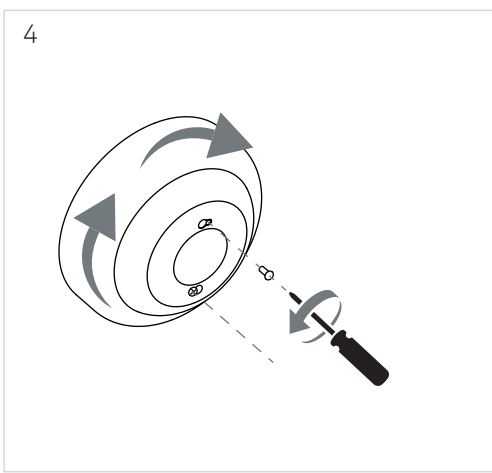
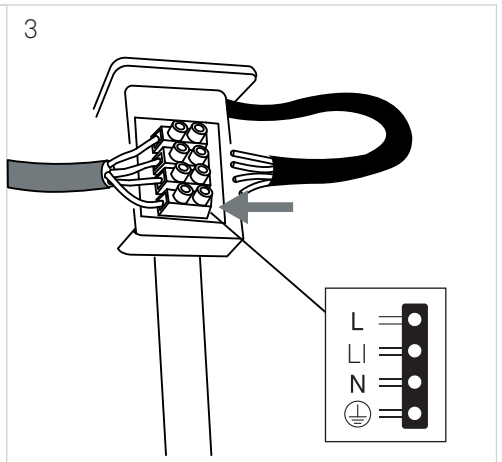
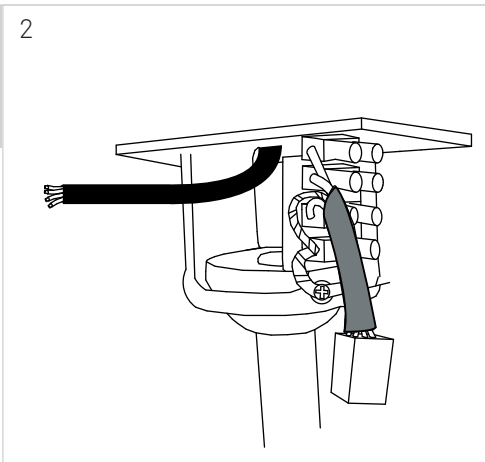
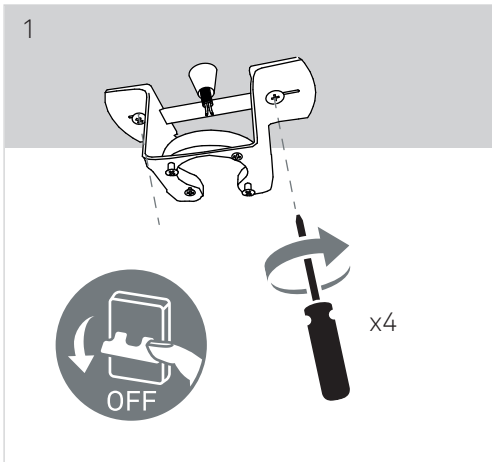
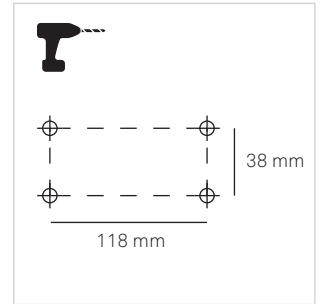
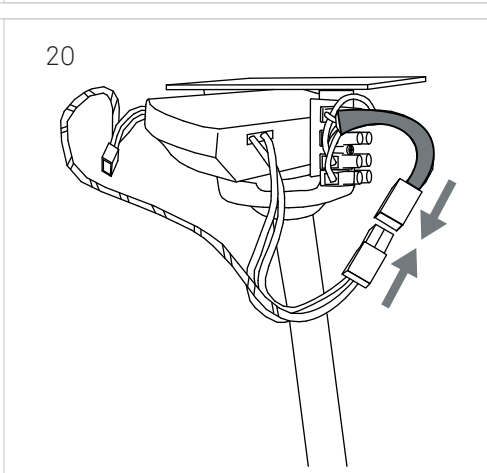
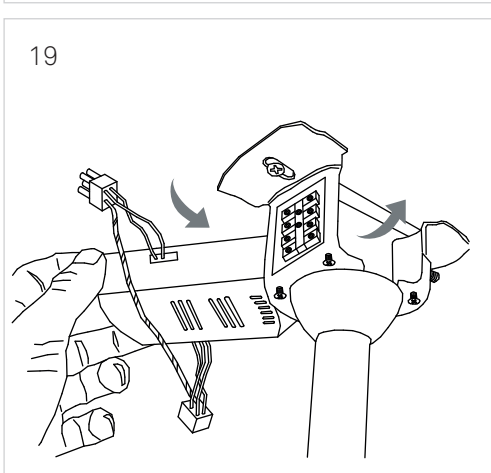
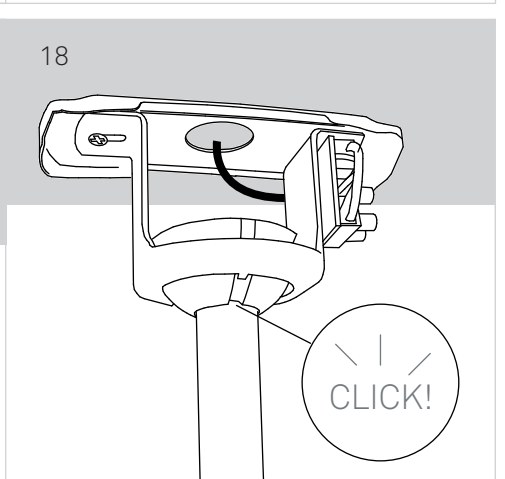
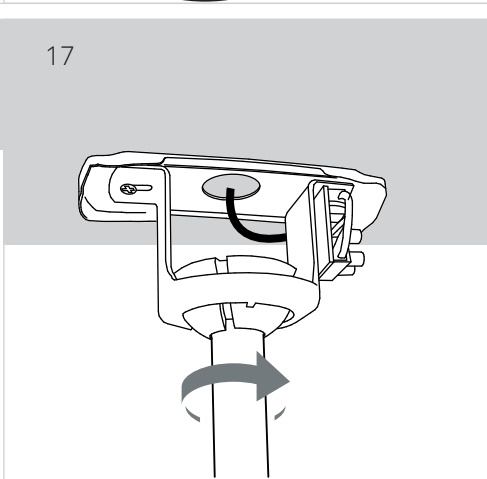
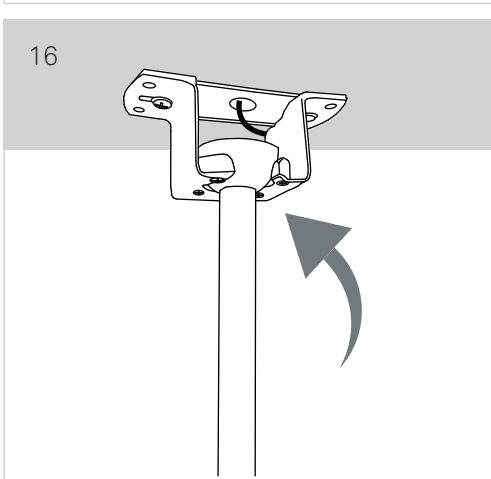
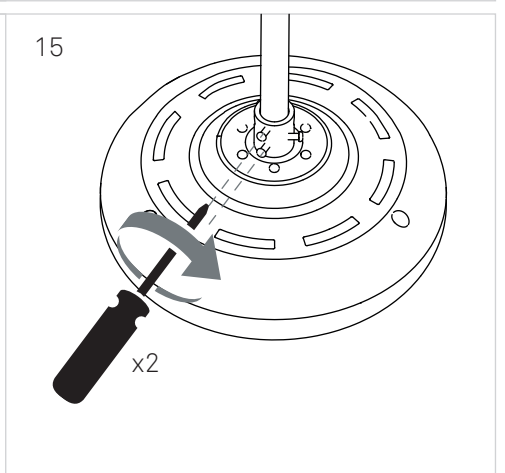
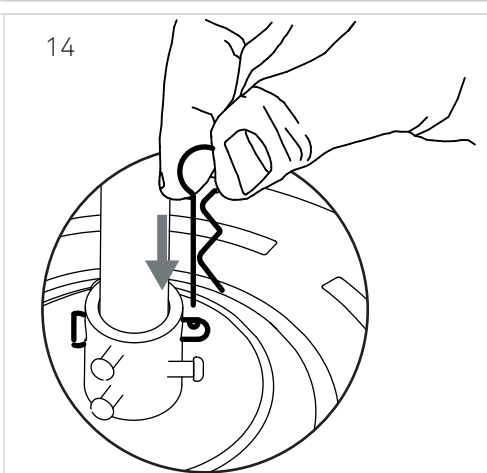
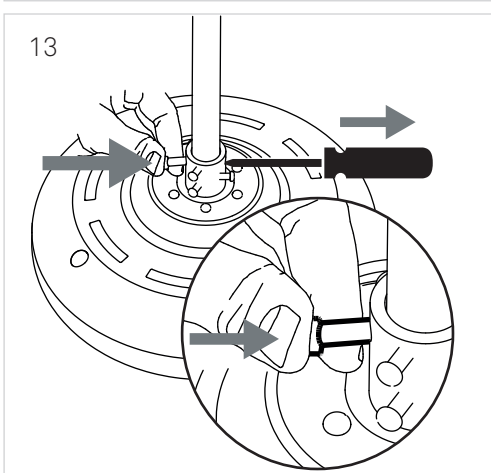
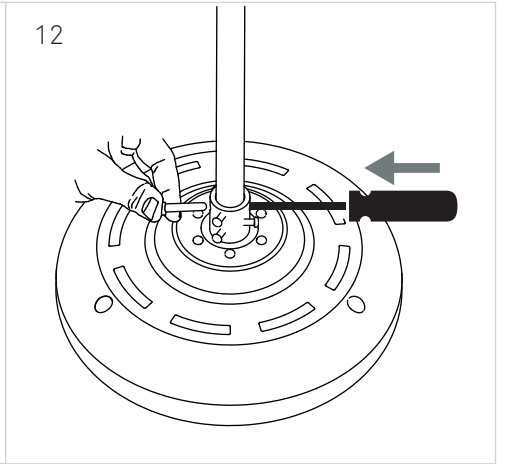
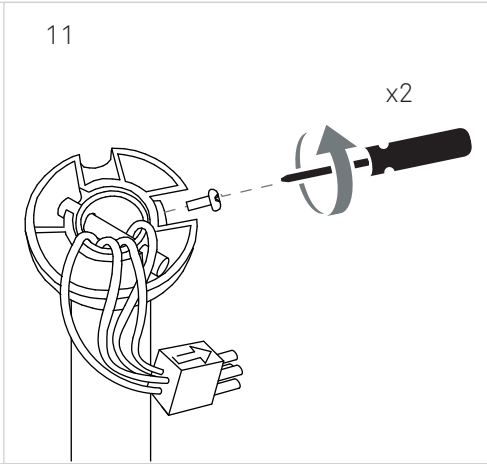
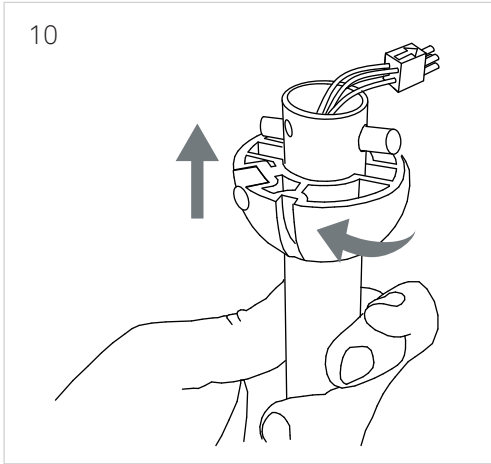


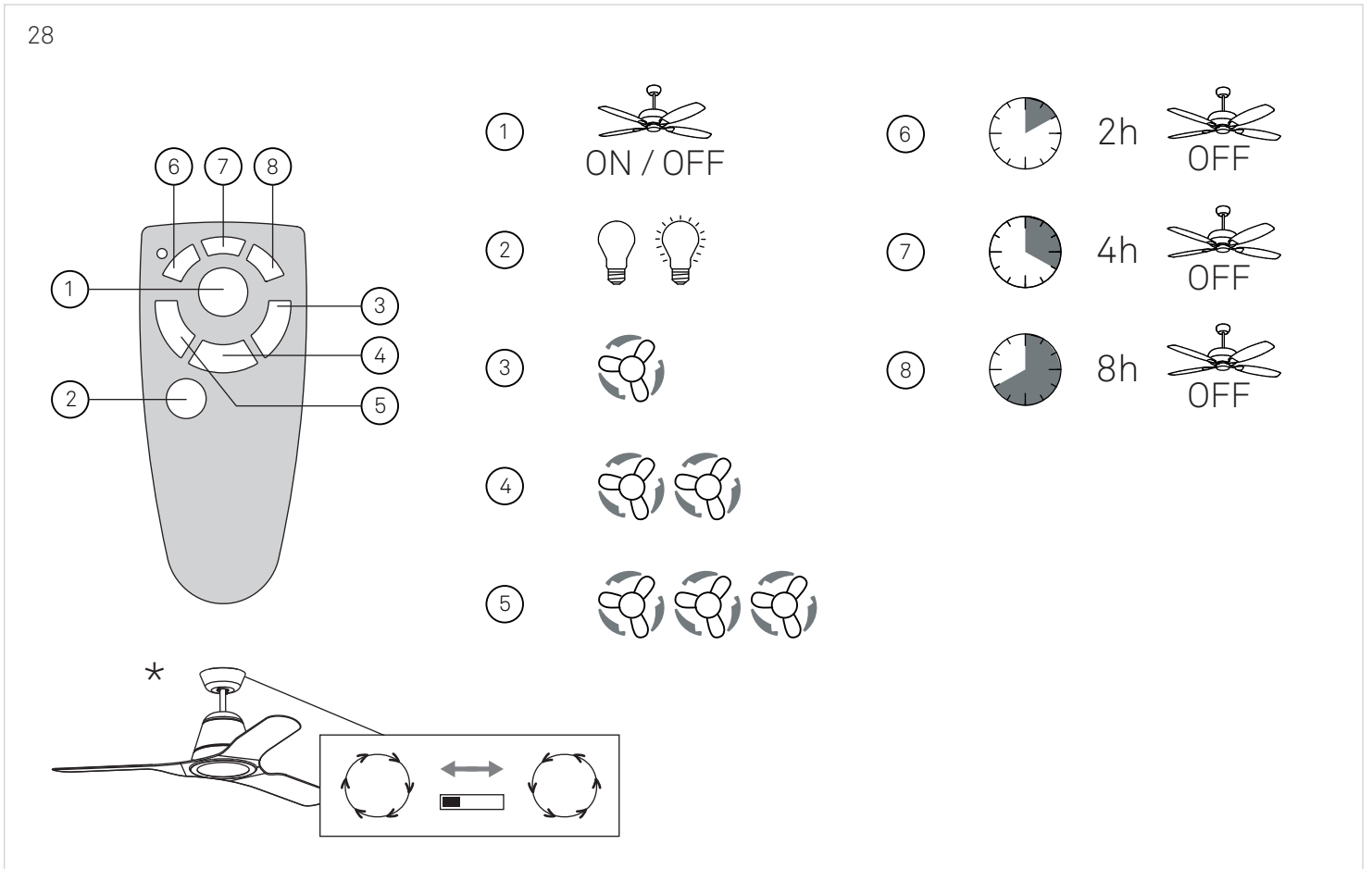
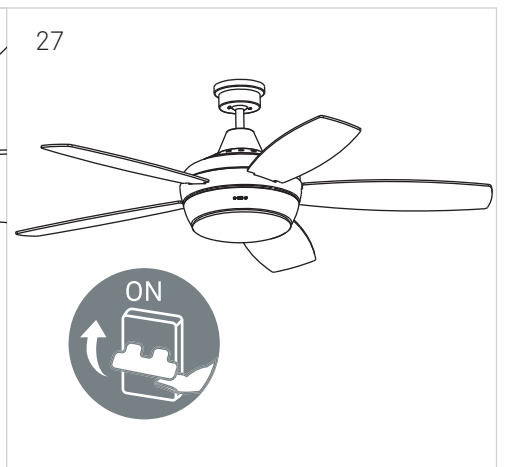
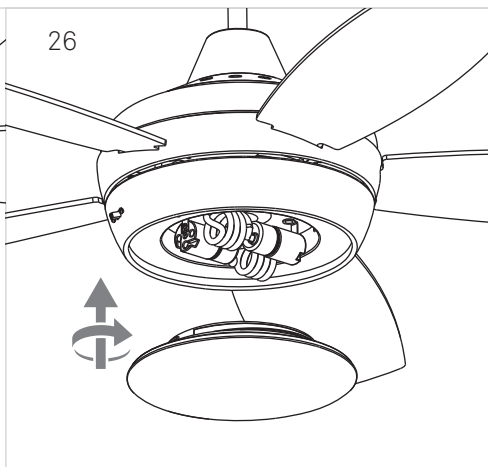
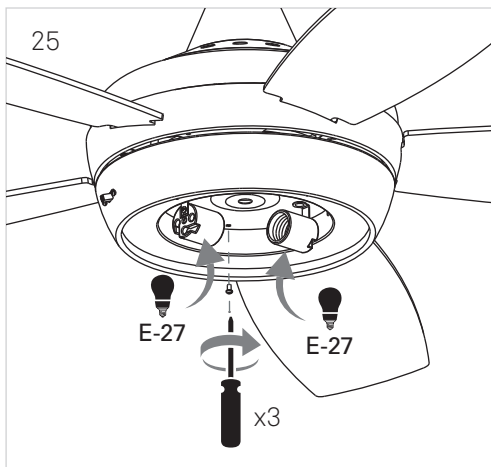
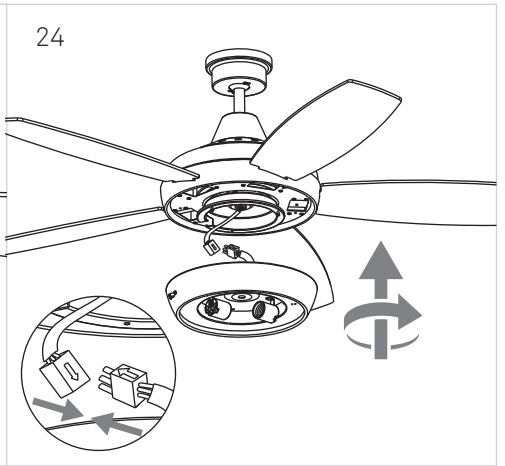
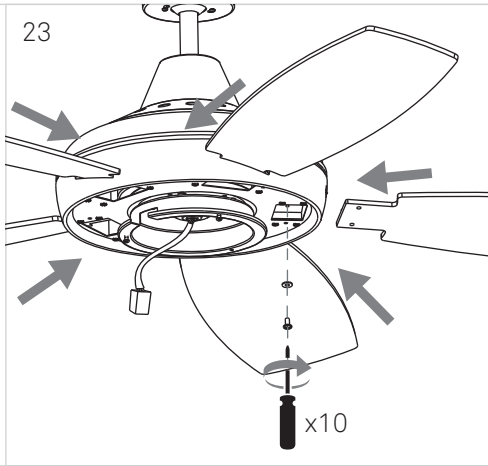
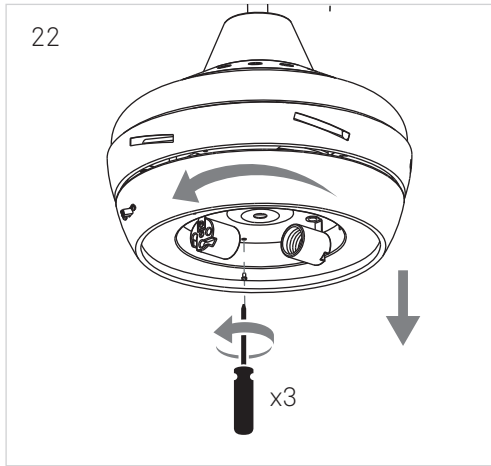


# SAMAL

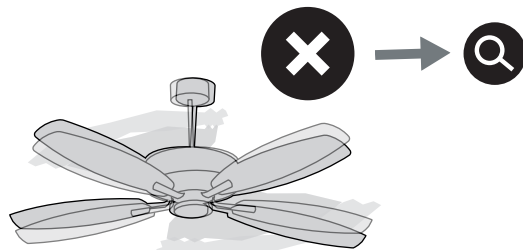
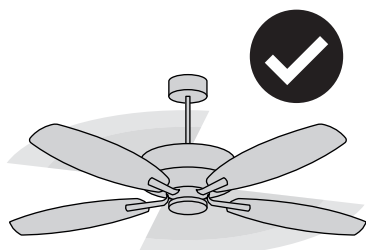
# LEDS C4





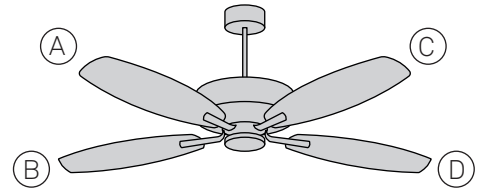


ON





CALIBRATION



1

2

3

4

\* 5

6

7