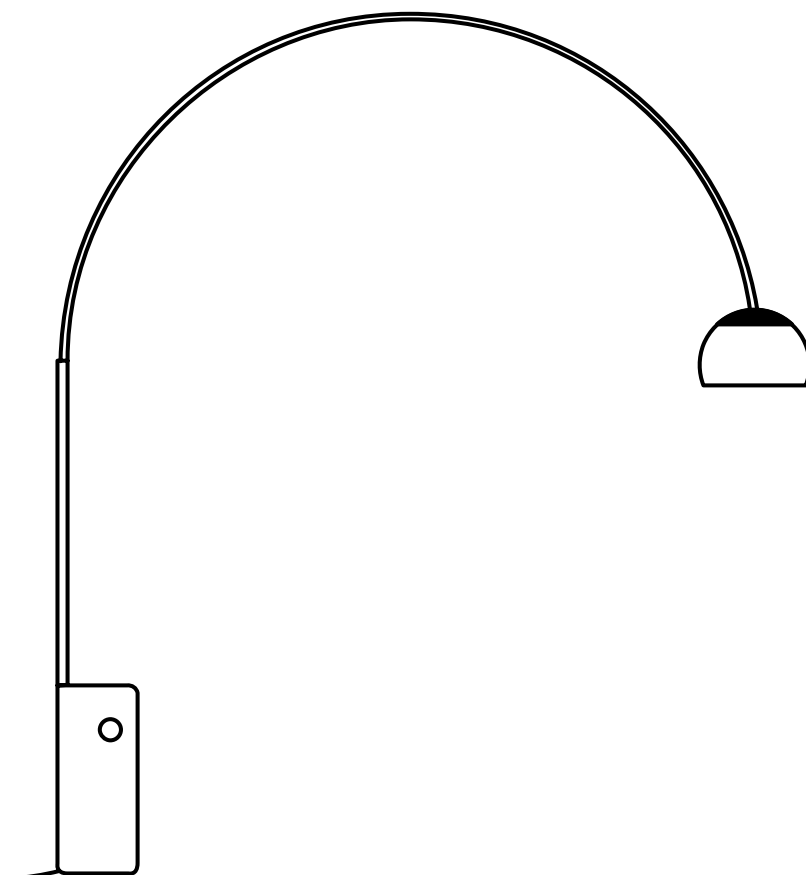


ARCO LED

Designed by Achille & Pier Giacomo Castiglioni, 1962

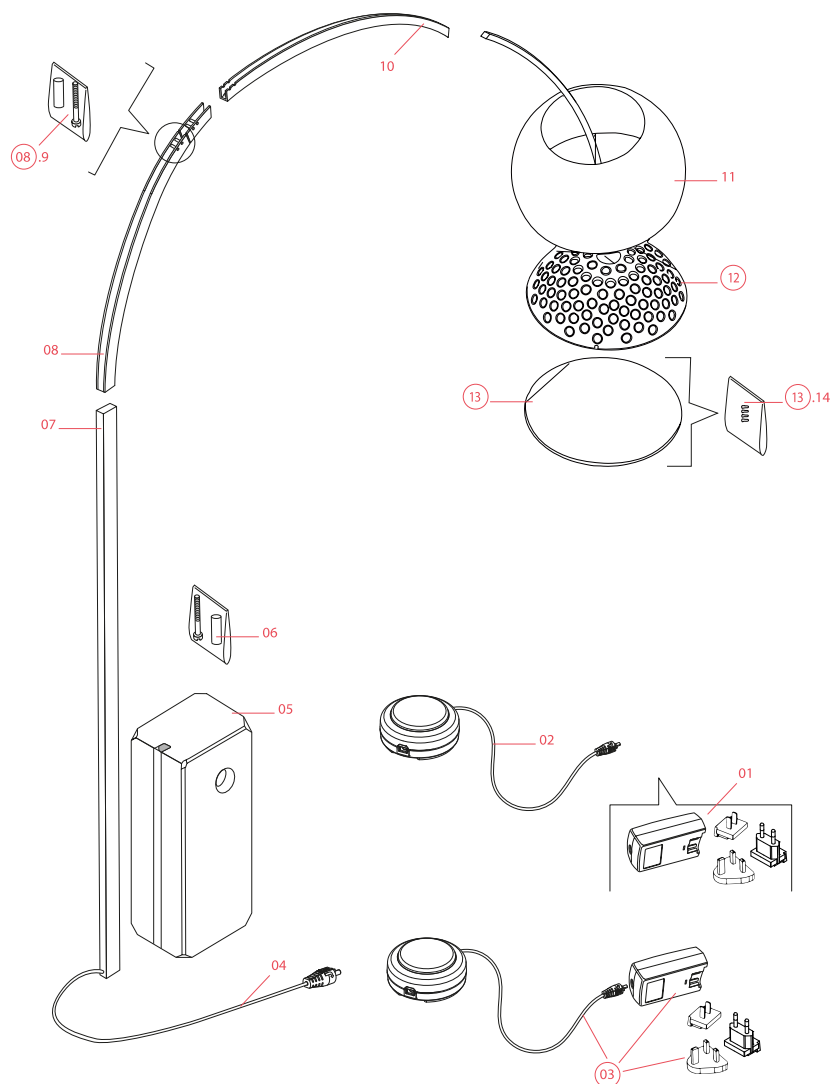
F0303000



ARCO LED

F0303000

EN



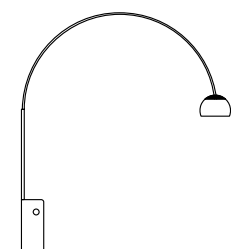
- 01. RF3320400** – 48 V Power supply unit with plug kit
- 02. RF26383** – Switch dimmer 600mA for new version
- 04. RF20805** – Middle electric cable with connectors
- 05. F0310000** – Marble base
- 06. RF0300100** – Fixing screw with joint
- 07. RF21041** – Inox stem
- 08. RF02970** – Long inox channel
- 09. RF0300200** – Screw rolls unit for inox channel
- 10. RF02971** – Medium inox channel
- 11. RF00797** – Polished reflector
- 12. RF0303400** – Small inox channel with grind and LED
- 13. RF0303200** – Optical LED diffuser with fixing screw
- 14. RF0303300** – Optical diffuser fixing screws

ARCO LED F0303000

EN

RF3320400

POWER SUPPLY UNIT WITH PLUG KIT



Arco Led
p.03



Captain
Flint
p.05



Noctambule
F
p.15



Sawaru
p.03



Superloon
p.13



Taccia
Led
p.13

WARNING! When installing and whenever acting on the appliance, ensure that the power supply has been switched off.
For the installation of the spare-part, it is necessary to consult a qualified electrician.

ARCO LED F0303000

EN

RF3320400

POWER SUPPLY UNIT WITH PLUG KIT

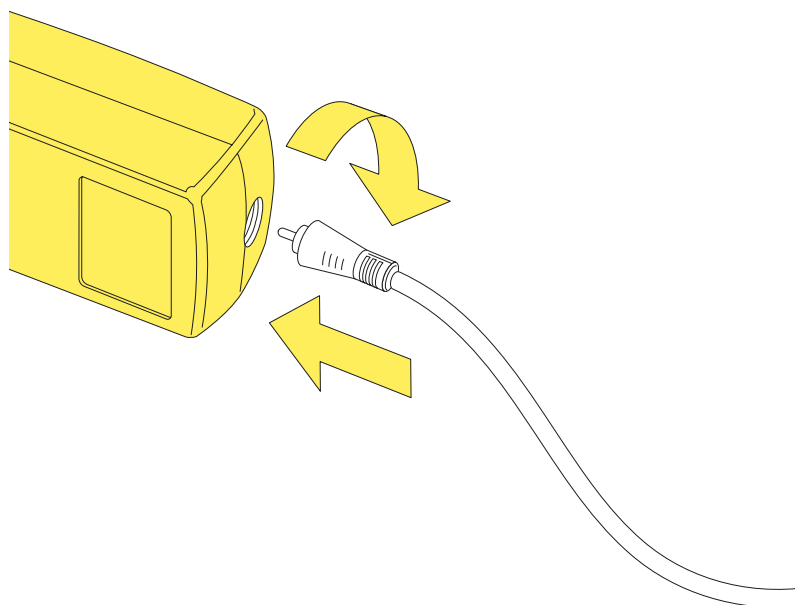


Fig.2

When installing and whenever acting on the appliance, ensure that the power supply has been switched off.

For the installation of the spare-part, it is necessary to consult a qualified electrician.

Insert the plug into the power unit. By using the guides, snap the plug inside its opposite slot (use the correct type of plug for the country in which the device must be installed).

WARNING! When installing and whenever acting on the appliance, ensure that the power supply has been switched off.
For the installation of the spare-part, it is necessary to consult a qualified electrician.

ARCO LED F0303000

EN

RF26383

SWITCH DIMMER 600mA FOR NEW VERSION



WARNING! When installing and whenever acting on the appliance, ensure that the power supply has been switched off.
For the installation of the spare-part, it is necessary to consult a qualified electrician.

©2021 Flos - All rights reserved - www.flos.com
Flos reserves the right to introduce any changes to its own models, without prior notice.

ARCO LED F0303000

EN

RF26383

SWITCH DIMMER 600mA FOR NEW VERSION

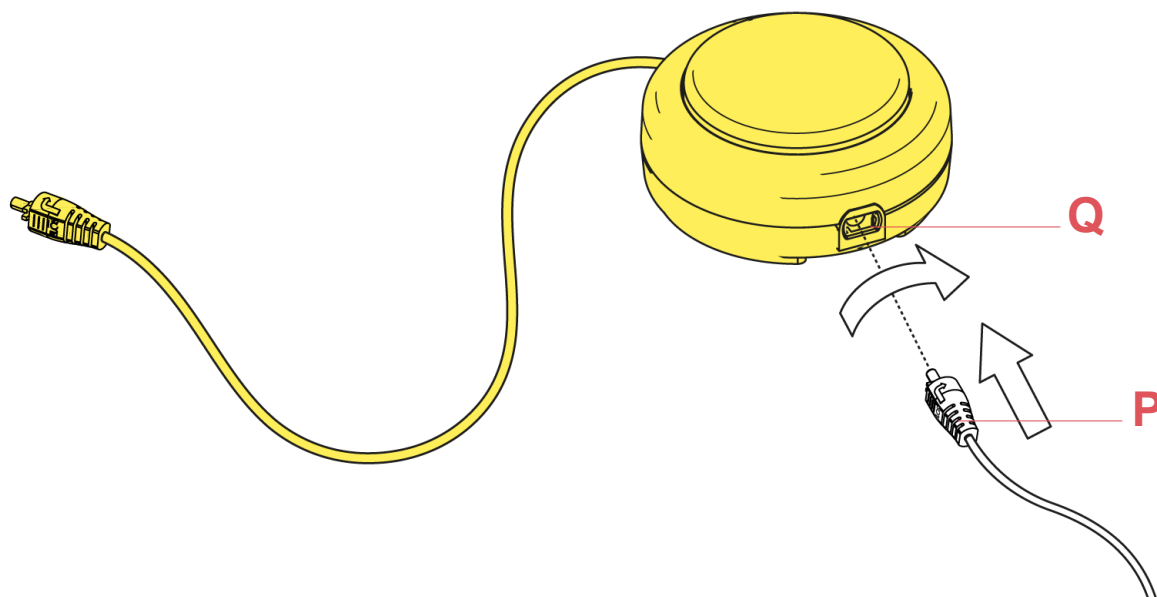


Fig.1

Connect the plug (P) to the push button switch (Q) locking it by turning it 90° clockwise.

WARNING! When installing and whenever acting on the appliance, ensure that the power supply has been switched off.
For the installation of the spare-part, it is necessary to consult a qualified electrician.

©2021 Flos - All rights reserved - www.flos.com
Flos reserves the right to introduce any changes to its own models, without prior notice.

ARCO LED F0303000

EN

RF26383

SWITCH DIMMER 600mA FOR NEW VERSION

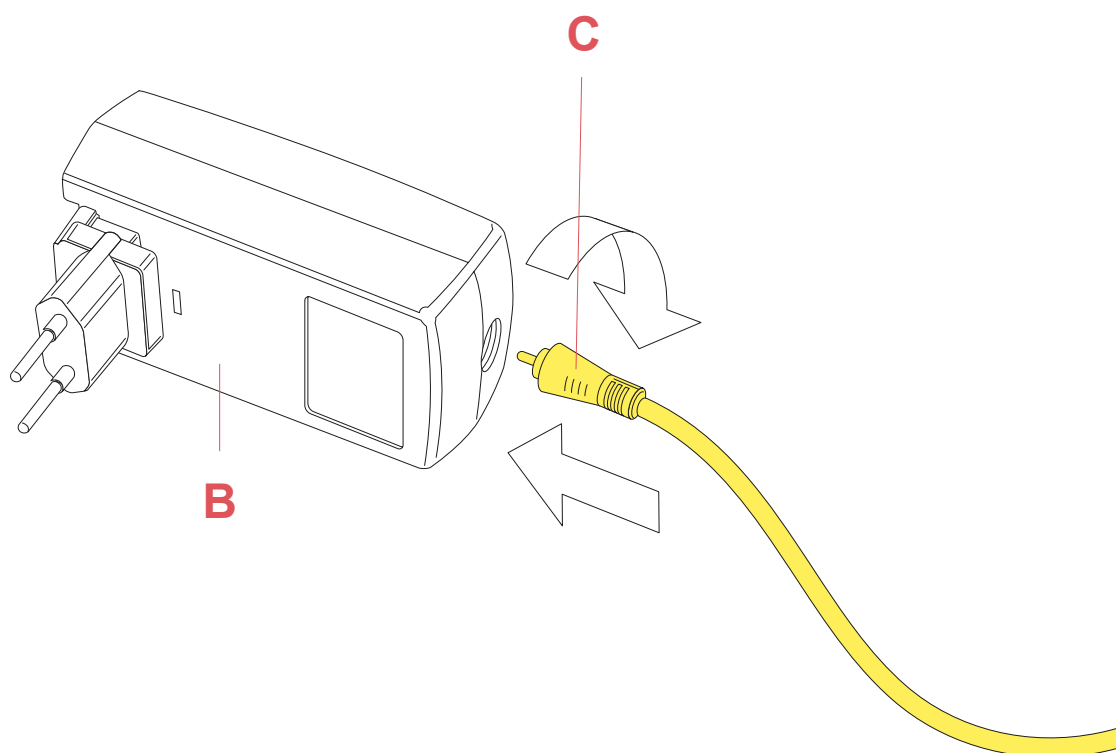


Fig.2

Connect the plug (C) to the power unit (B) locking it in by rotating it 90° clockwise.

WARNING! When installing and whenever acting on the appliance, ensure that the power supply has been switched off.
For the installation of the spare-part, it is necessary to consult a qualified electrician.

©2021 Flos - All rights reserved - www.flos.com
Flos reserves the right to introduce any changes to its own models, without prior notice.

ARCO LED F0303000

EN

RF20805

MIDDLE ELECTRIC CABLE WITH CONNECTORS



WARNING! When installing and whenever acting on the appliance, ensure that the power supply has been switched off.
For the installation of the spare-part, it is necessary to consult a qualified electrician.

RF20805

MIDDLE ELECTRIC CABLE WITH CONNECTORS

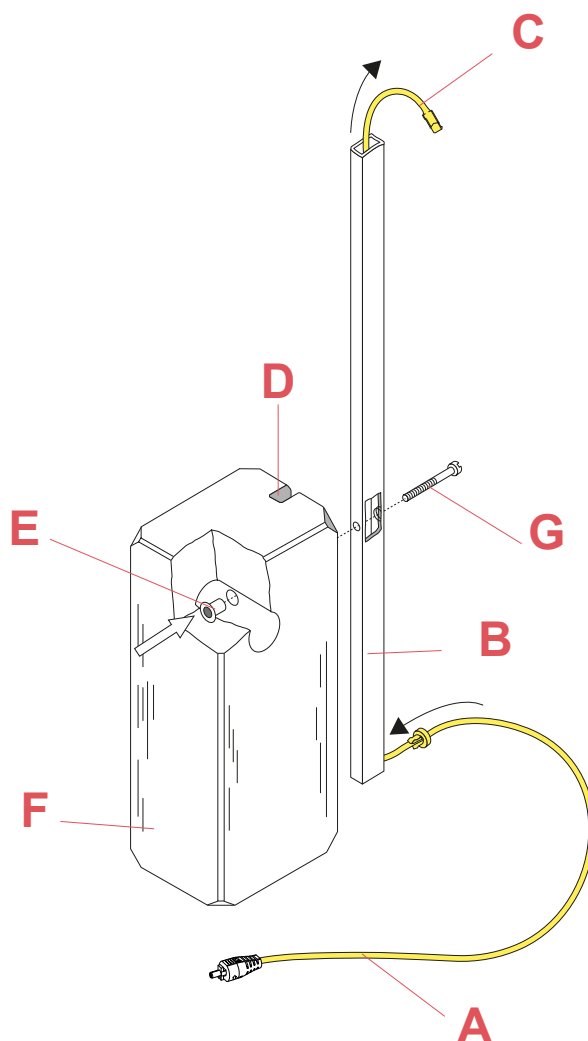


Fig.1

Insert the plug cable (A) through the channel (B) until the connector (C) comes out from the upper part of the channel, as shown in the image. Place the channel (B) in the housing (D), insert the joint (E) into the hole in the base (F), fix the channel (B) to the base (F) with the screw (G) being careful to not damage the cable with the head of the screw.

WARNING! When installing and whenever acting on the appliance, ensure that the power supply has been switched off.
For the installation of the spare-part, it is necessary to consult a qualified electrician.

RF20805

MIDDLE ELECTRIC CABLE WITH CONNECTORS

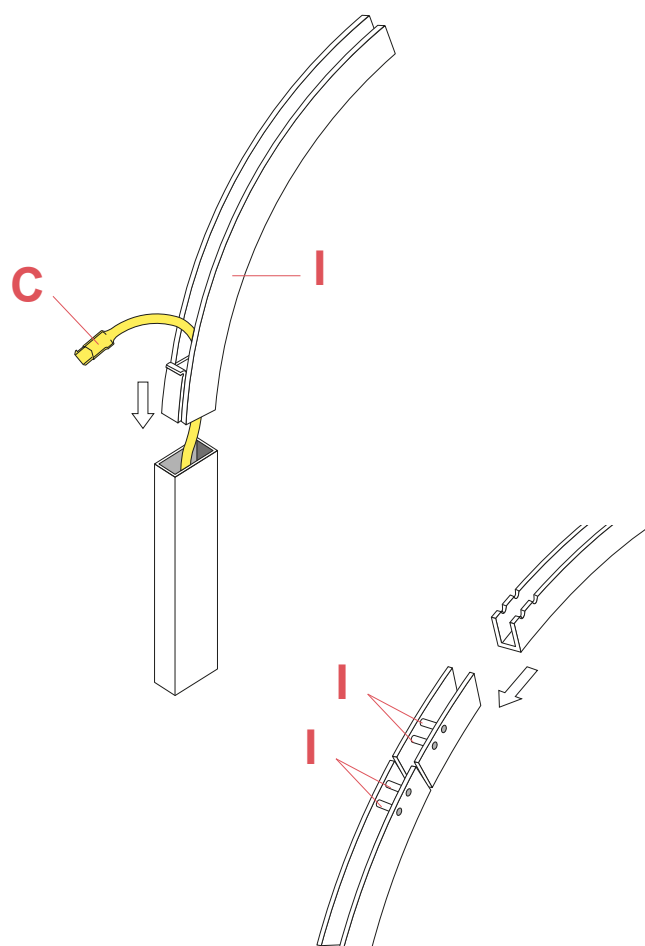


Fig.2

Insert the long channel (H) into the stem (B) paying attention to insert the cable with connector (C) through the hole of the channel (H). Joint together the medium channel with the rollers (I) according to the desired position.

WARNING! When installing and whenever acting on the appliance, ensure that the power supply has been switched off.
For the installation of the spare-part, it is necessary to consult a qualified electrician.

RF20805

MIDDLE ELECTRIC CABLE WITH CONNECTORS

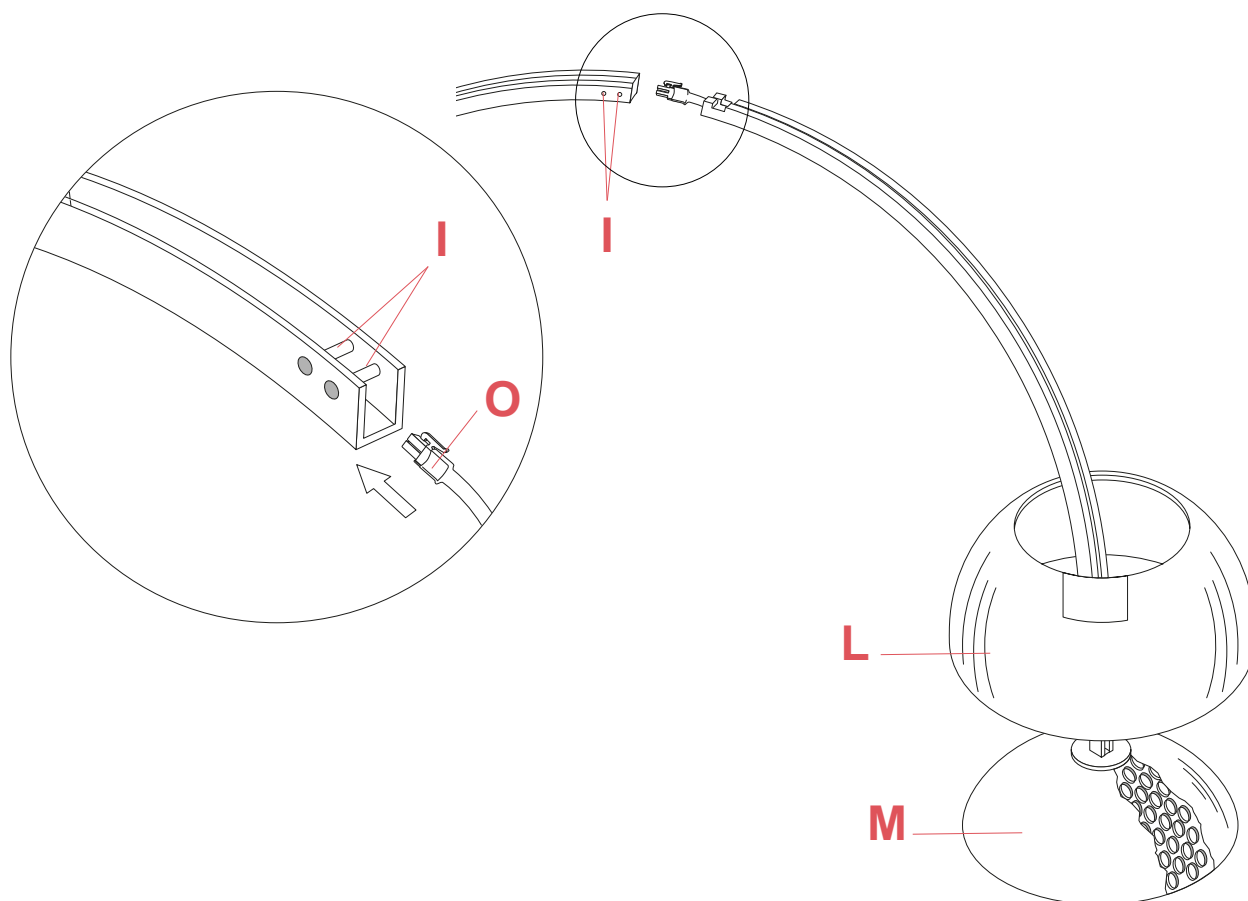


Fig.3

Place the reflector (L) on the grid (M), insert the connector (O) under the rollers (I) of the medium conduit and secure the small channel to the rollers (I).

WARNING! When installing and whenever acting on the appliance, ensure that the power supply has been switched off.
For the installation of the spare-part, it is necessary to consult a qualified electrician.

RF20805

MIDDLE ELECTRIC CABLE WITH CONNECTORS

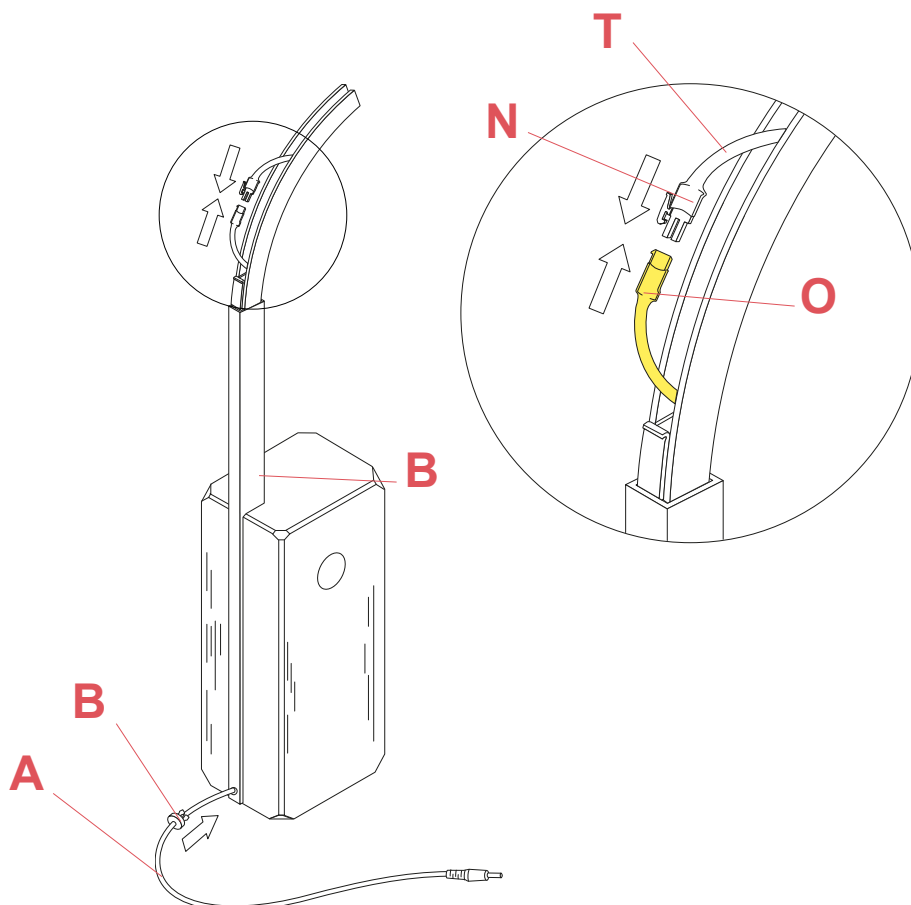


Fig.4

After having positioned carefully the electric cable (T) on the bottom channel, connect the connector (N) to connector (O) of the cable coming from the stem (B). Stretch the cable with the plug (A) paying attention to insert connectors (N) and (O) into the stem (B) and then secure the cable clamp (U).

WARNING! When installing and whenever acting on the appliance, ensure that the power supply has been switched off. For the installation of the spare-part, it is necessary to consult a qualified electrician.

ARCO LED F0303000

EN

RF20805

MIDDLE ELECTRIC CABLE WITH CONNECTORS

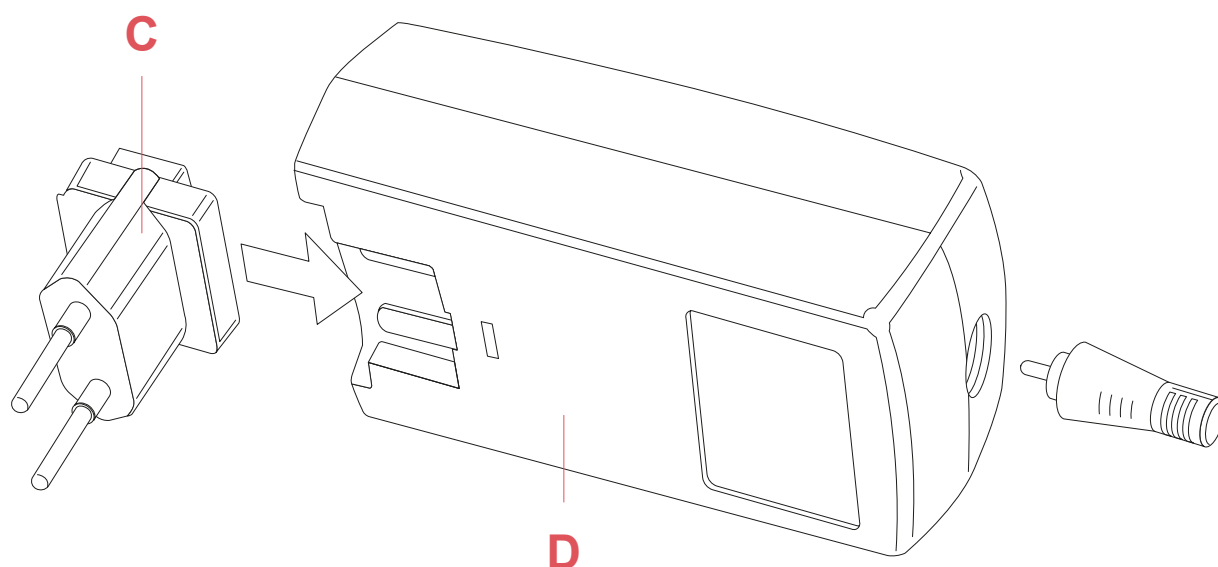


Fig.5

Insert the plug (C) into the driver unit (D). Utilize the guides and snap it inside its opposite slot (use the correct type of plug for the area in which the device must be installed).

WARNING! When installing and whenever acting on the appliance, ensure that the power supply has been switched off.
For the installation of the spare-part, it is necessary to consult a qualified electrician.

©2021 Flos - All rights reserved - www.flos.com
Flos reserves the right to introduce any changes to its own models, without prior notice.

ARCO LED F0303000

EN

RF20805

MIDDLE ELECTRIC CABLE WITH CONNECTORS

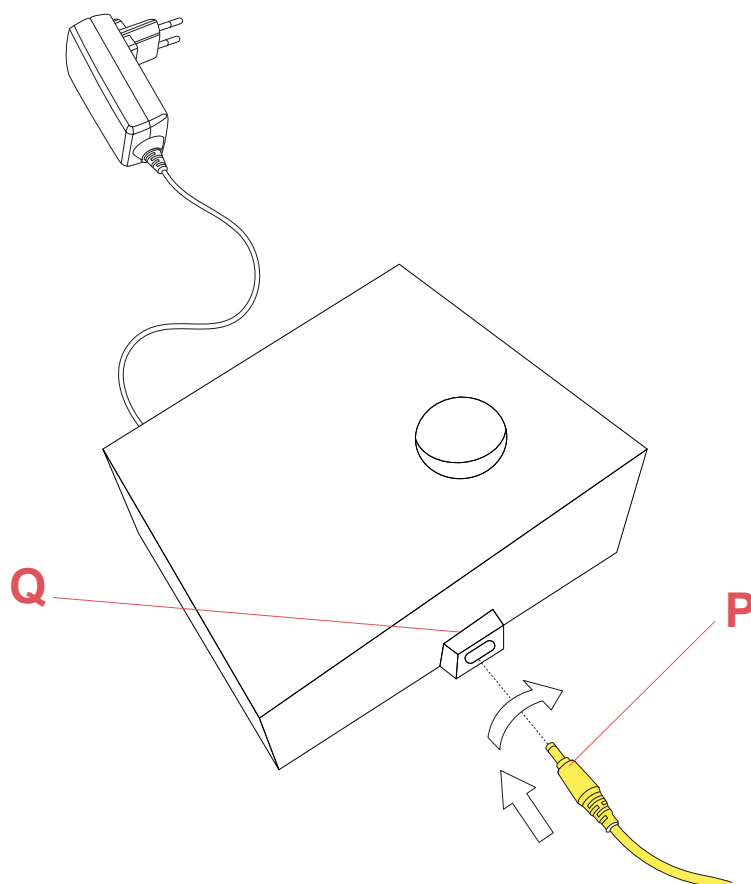


Fig.6

Connect the pin (P) to the push button switch (Q), then connect the device to the main power.

WARNING! When installing and whenever acting on the appliance, ensure that the power supply has been switched off.
For the installation of the spare-part, it is necessary to consult a qualified electrician.

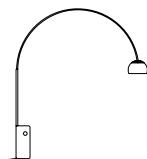
©2021 Flos - All rights reserved - www.flos.com
Flos reserves the right to introduce any changes to its own models, without prior notice.

ARCO LED F0303000

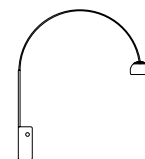
EN

F0310000

MARBLE BASE



Arco
p.25



Arco Led
p.15

WARNING! When installing and whenever acting on the appliance, ensure that the power supply has been switched off.
For the installation of the spare-part, it is necessary to consult a qualified electrician.

ARCO LED F0303000

EN

F0310000

MARBLE BASE

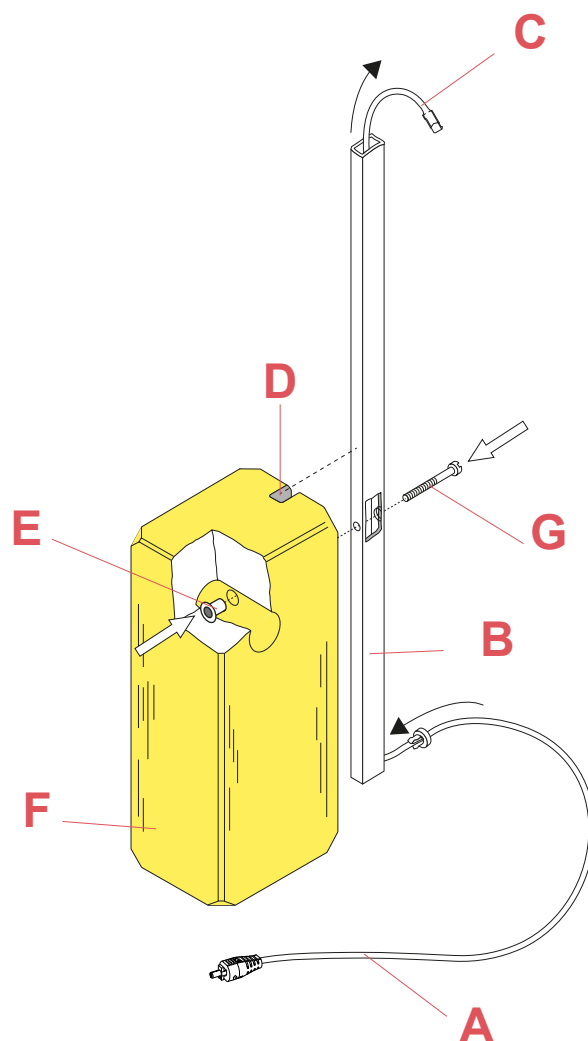


Fig.1

Insert the plug cable (A) through the channel (B) until the connector (C) comes out from the upper part of the channel, as shown in the image. Place the channel (B) in the housing (D), insert the joint (E) into the hole in the base (F), fix the channel (B) to the base (F) with the screw (G) being careful to not damage the cable with the head of the screw.

WARNING! When installing and whenever acting on the appliance, ensure that the power supply has been switched off.
For the installation of the spare-part, it is necessary to consult a qualified electrician.

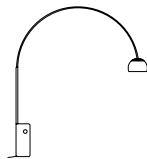
©2021 Flos - All rights reserved - www.flos.com
Flos reserves the right to introduce any changes to its own models, without prior notice.

ARCO LED F0303000

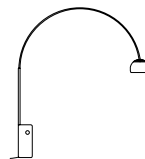
EN

RF0300100

FIXING SCREW WITH JOINT



Arco
p.23



Arco Led
p.17

WARNING! When installing and whenever acting on the appliance, ensure that the power supply has been switched off.
For the installation of the spare-part, it is necessary to consult a qualified electrician.

ARCO LED F0303000

EN

RF0300100

FIXING SCREW WITH JOINT

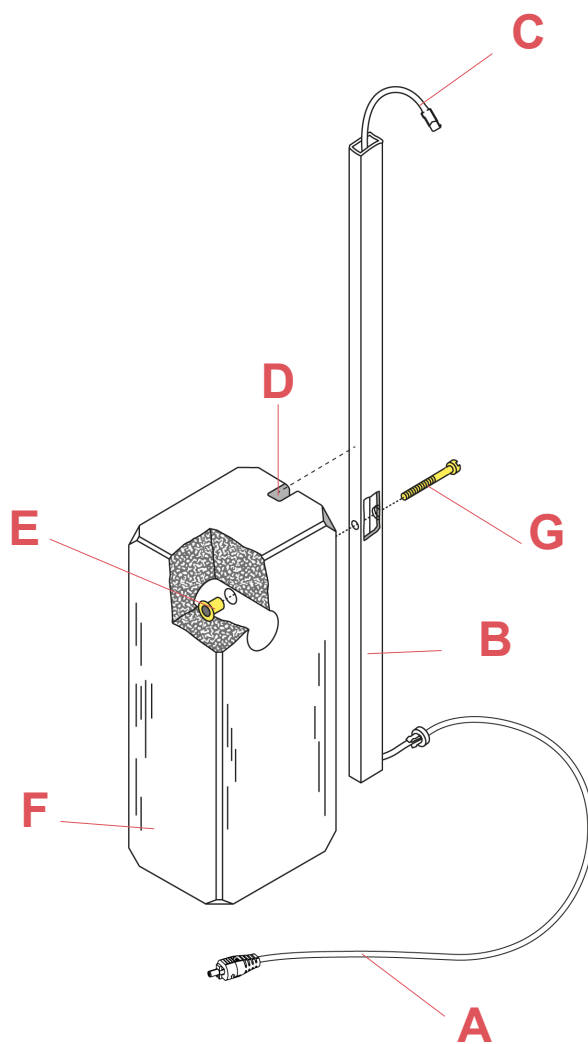


Fig.1

Insert the plug cable (A) through the channel (B) until the connector (C) comes out from the upper part of the channel, as shown in the image. Place the channel (B) in the housing (D), insert the joint (E) into the hole in the base (F), fix the channel (B) to the base (F) with the screw (G) being careful to not damage the cable with the head of the screw.

WARNING! When installing and whenever acting on the appliance, ensure that the power supply has been switched off.
For the installation of the spare-part, it is necessary to consult a qualified electrician.

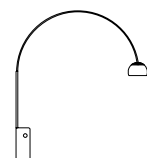
©2021 Flos - All rights reserved - www.flos.com
Flos reserves the right to introduce any changes to its own models, without prior notice.

ARCO LED F0303000

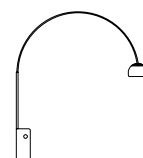
EN

RF21041

INOX STEM



Arco
p.30



Arco Led
p.19

WARNING! When installing and whenever acting on the appliance, ensure that the power supply has been switched off.
For the installation of the spare-part, it is necessary to consult a qualified electrician.

ARCO LED F0303000

EN

RF21041

INOX STEM

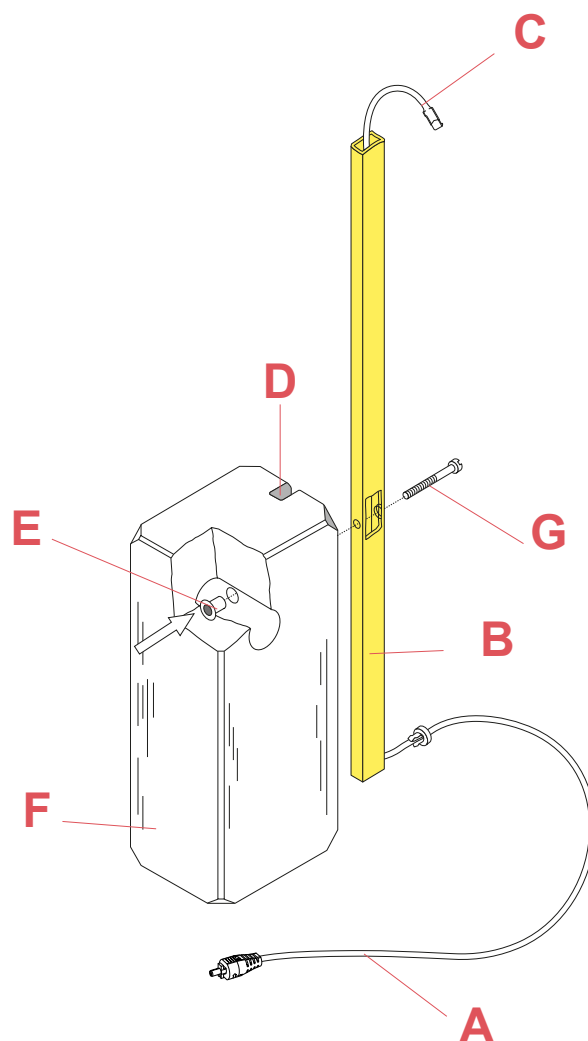


Fig.1

Insert the plug cable (A) through the channel (B) until the connector (C) comes out from the upper part of the channel, as shown in the image. Place the channel (B) in the housing (D), insert the joint (E) into the hole in the base (F), fix the channel (B) to the base (F) with the screw (G) being careful to not damage the cable with the head of the screw.

WARNING! When installing and whenever acting on the appliance, ensure that the power supply has been switched off.
For the installation of the spare-part, it is necessary to consult a qualified electrician.

©2021 Flos - All rights reserved - www.flos.com
Flos reserves the right to introduce any changes to its own models, without prior notice.

ARCO LED F0303000

EN

RF21041

INOX STEM

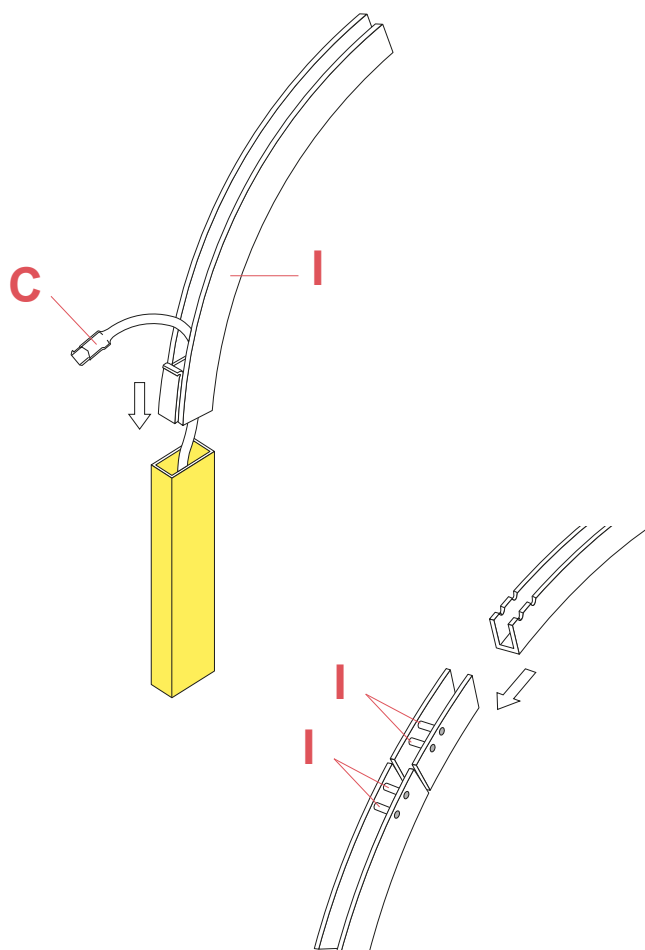


Fig.2

Insert the long channel (H) into the stem (B) paying attention to insert the cable with connector (C) through the hole of the channel (H). Joint together the medium channel with the rollers (I) according to the desired position.

WARNING! When installing and whenever acting on the appliance, ensure that the power supply has been switched off.
For the installation of the spare-part, it is necessary to consult a qualified electrician.

©2021 Flos - All rights reserved - www.flos.com
Flos reserves the right to introduce any changes to its own models, without prior notice.

ARCO LED F0303000

EN

RF21041

INOX STEM

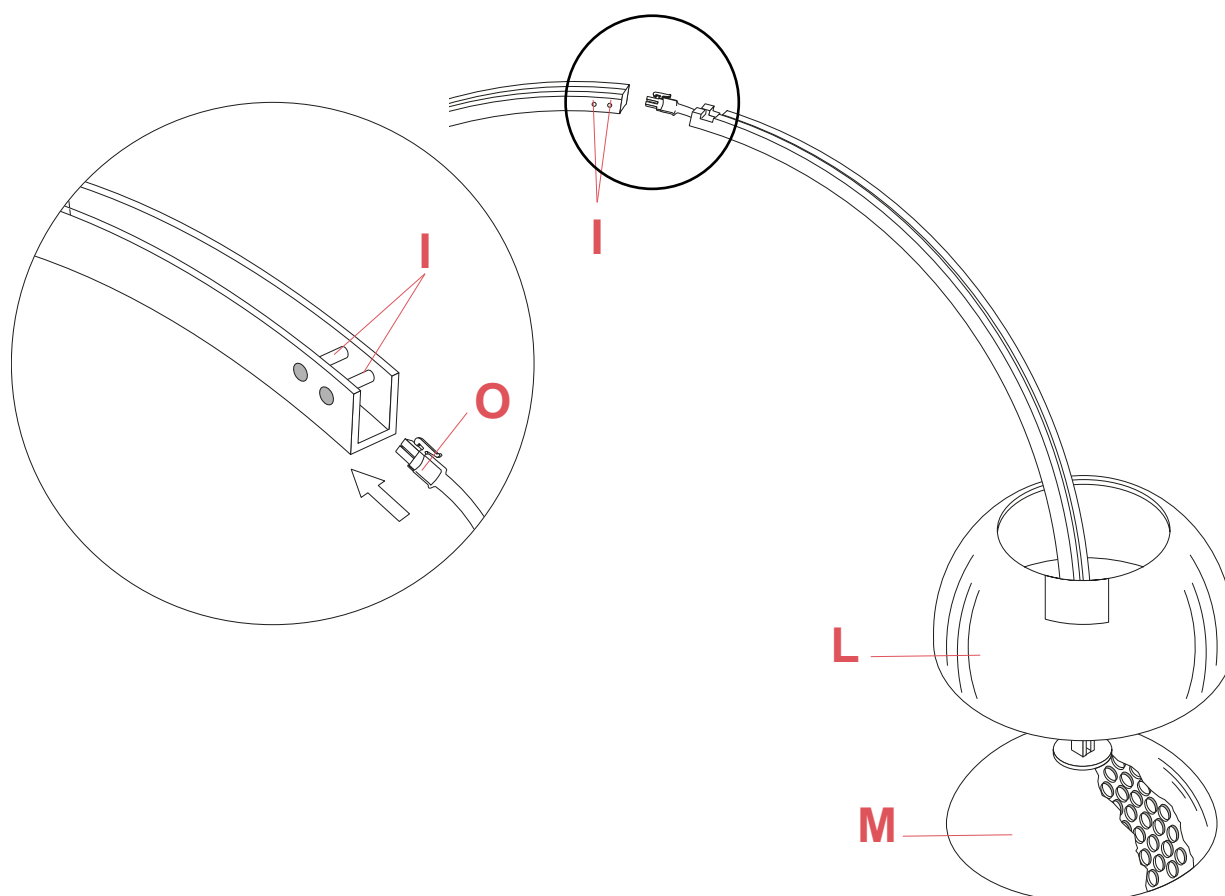


Fig.3

Place the reflector (L) on the grid (M), insert the connector (O) under the rollers (I) of the medium conduit and secure the small channel to the rollers (I).

WARNING! When installing and whenever acting on the appliance, ensure that the power supply has been switched off.
For the installation of the spare-part, it is necessary to consult a qualified electrician.

RF21041

INOX STEM

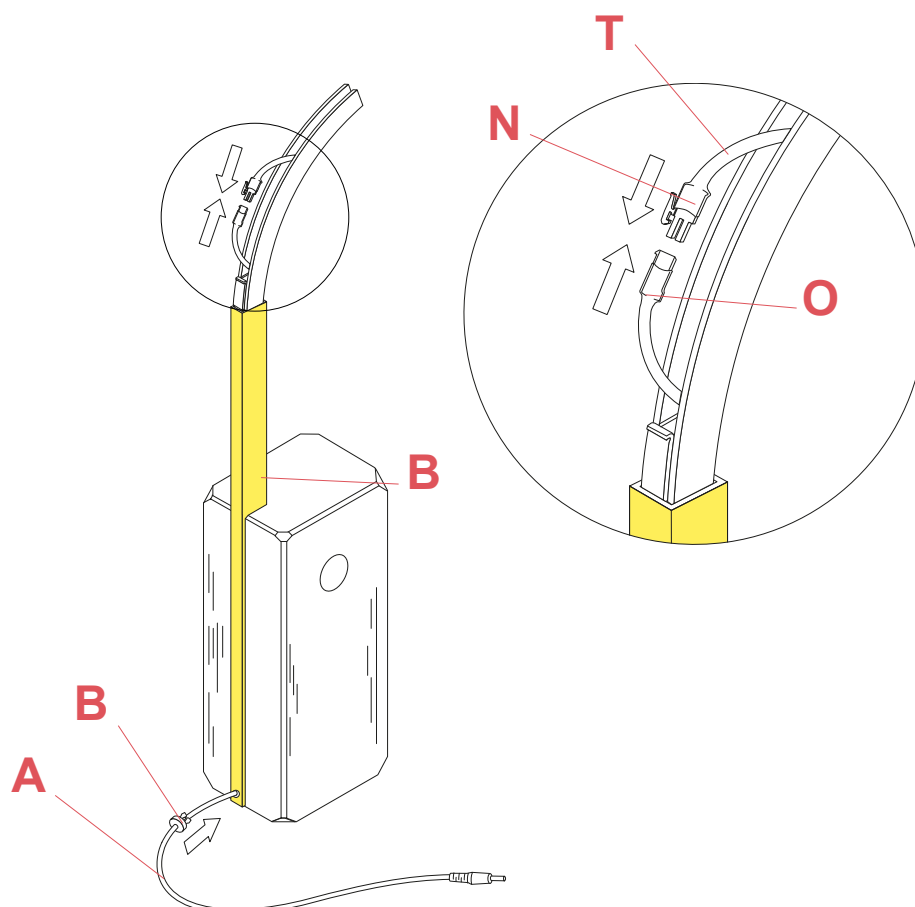


Fig.4

After having positioned carefully the electric cable (T) on the bottom channel, connect the connector (N) to connector (O) of the cable coming from the stem (B). Stretch the cable with the plug (A) paying attention to insert connectors (N) and (O) into the stem (B) and then secure the cable clamp (U).

WARNING! When installing and whenever acting on the appliance, ensure that the power supply has been switched off. For the installation of the spare-part, it is necessary to consult a qualified electrician.

ARCO LED F0303000

EN

RF21041

INOX STEM

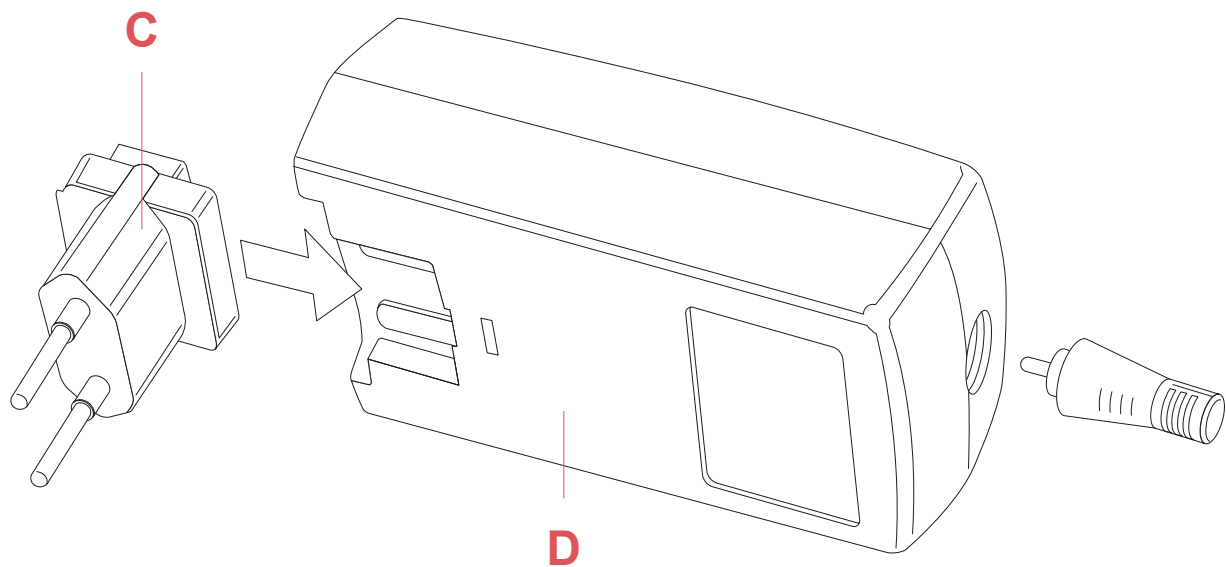


Fig.5

Insert the plug (C) into the driver unit (D). Utilize the guides and snap it inside its opposite slot (use the correct type of plug for the area in which the device must be installed).

WARNING! When installing and whenever acting on the appliance, ensure that the power supply has been switched off.
For the installation of the spare-part, it is necessary to consult a qualified electrician.

©2021 Flos - All rights reserved - www.flos.com
Flos reserves the right to introduce any changes to its own models, without prior notice.

ARCO LED F0303000

EN

RF21041

INOX STEM

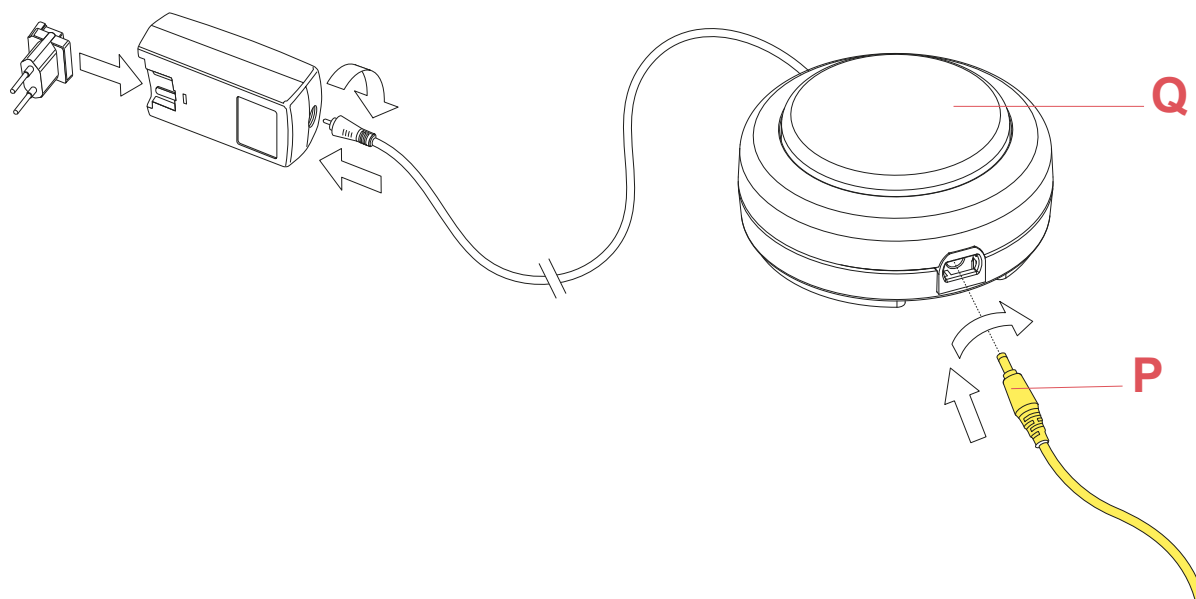


Fig.6

Connect the pin (P) to the push button switch (Q), then connect the device to the main power.

WARNING! When installing and whenever acting on the appliance, ensure that the power supply has been switched off.
For the installation of the spare-part, it is necessary to consult a qualified electrician.

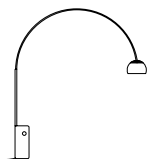
©2021 Flos - All rights reserved - www.flos.com
Flos reserves the right to introduce any changes to its own models, without prior notice.

ARCO LED F0303000

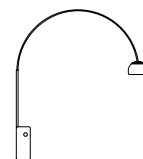
EN

RF02970

LONG INOX CHANNEL



Arco
p.07



Arco Led
p.26

WARNING! When installing and whenever acting on the appliance, ensure that the power supply has been switched off.
For the installation of the spare-part, it is necessary to consult a qualified electrician.

ARCO LED F0303000

EN

RF02970

LONG INOX CHANNEL

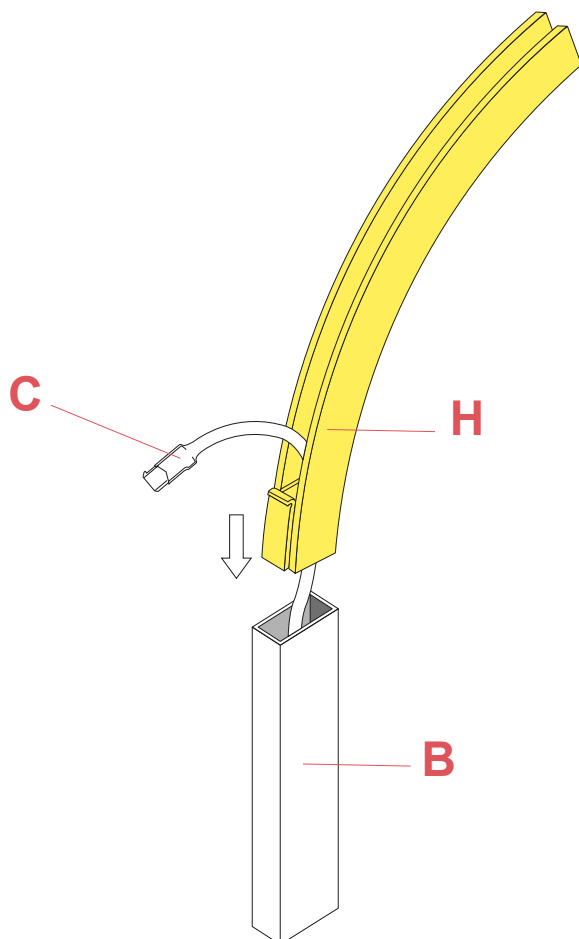


Fig.1

Insert the long channel (H) into the stem (B) ensuring to insert the cable with the connector (C) through the hole of the long channel (H).

WARNING! When installing and whenever acting on the appliance, ensure that the power supply has been switched off.
For the installation of the spare-part, it is necessary to consult a qualified electrician.

©2021 Flos - All rights reserved - www.flos.com
Flos reserves the right to introduce any changes to its own models, without prior notice.

ARCO LED F0303000

EN

RF02970

LONG INOX CHANNEL

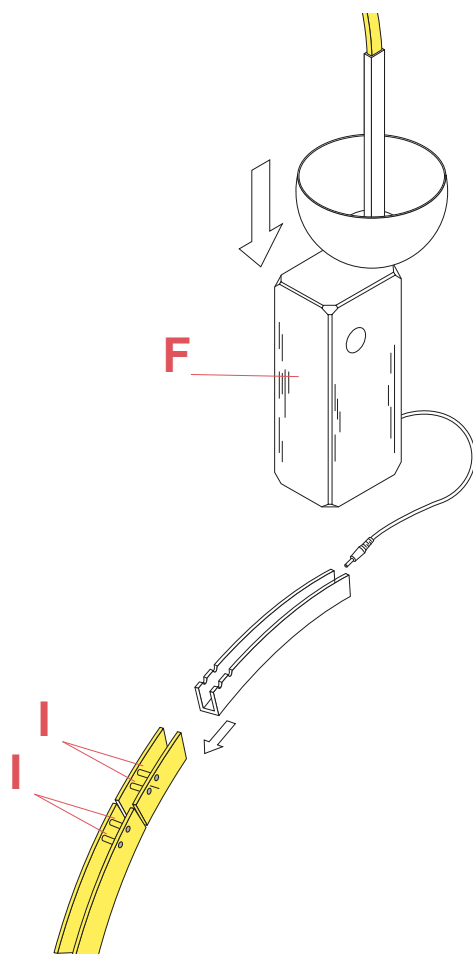


Fig.2

Collocate the reflector on the marble base (F).

Joint the medium channel to the long channel through the pins (I) according to the desired position.

WARNING! When installing and whenever acting on the appliance, ensure that the power supply has been switched off.
For the installation of the spare-part, it is necessary to consult a qualified electrician.

ARCO LED F0303000

EN

RF02970

LONG INOX CHANNEL

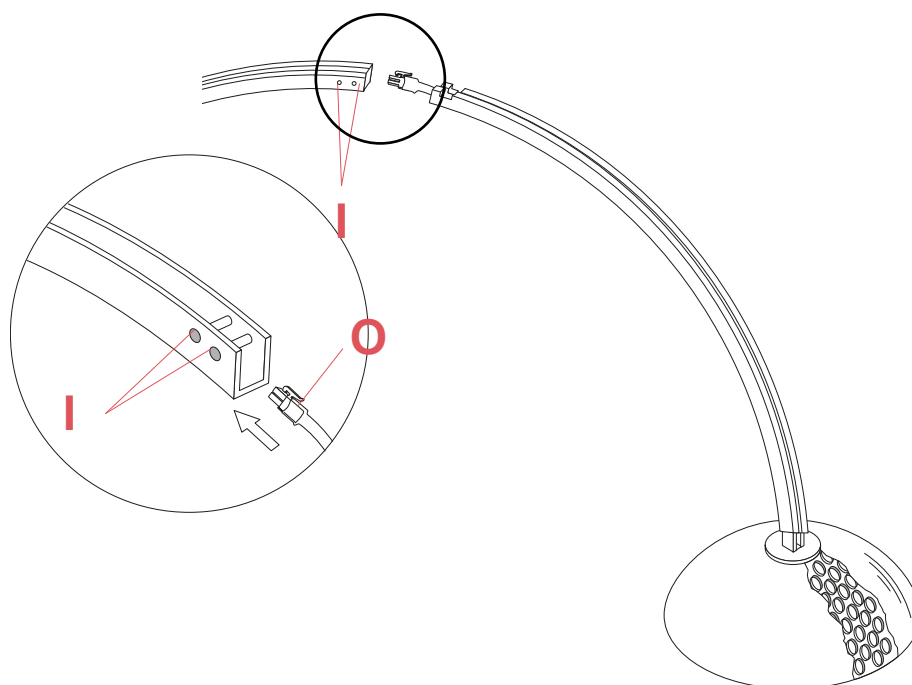


Fig.3

Insert the cable with the connector (O) underneath the pins (I) and slide it through the channel.

WARNING! When installing and whenever acting on the appliance, ensure that the power supply has been switched off.
For the installation of the spare-part, it is necessary to consult a qualified electrician.

ARCO LED F0303000

EN

RF02970

LONG INOX CHANNEL

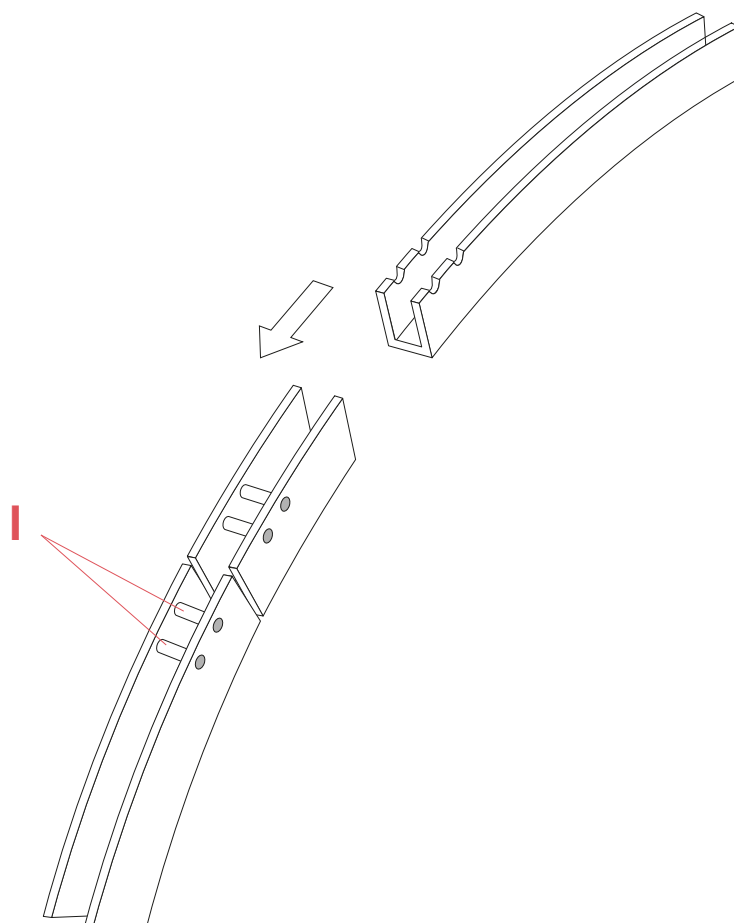


Fig.4

Joint the channel with grid to the medium channel through the pins (I).

WARNING! When installing and whenever acting on the appliance, ensure that the power supply has been switched off.
For the installation of the spare-part, it is necessary to consult a qualified electrician.

©2021 Flos - All rights reserved - www.flos.com
Flos reserves the right to introduce any changes to its own models, without prior notice.

ARCO LED F0303000

EN

RF02970

LONG INOX CHANNEL

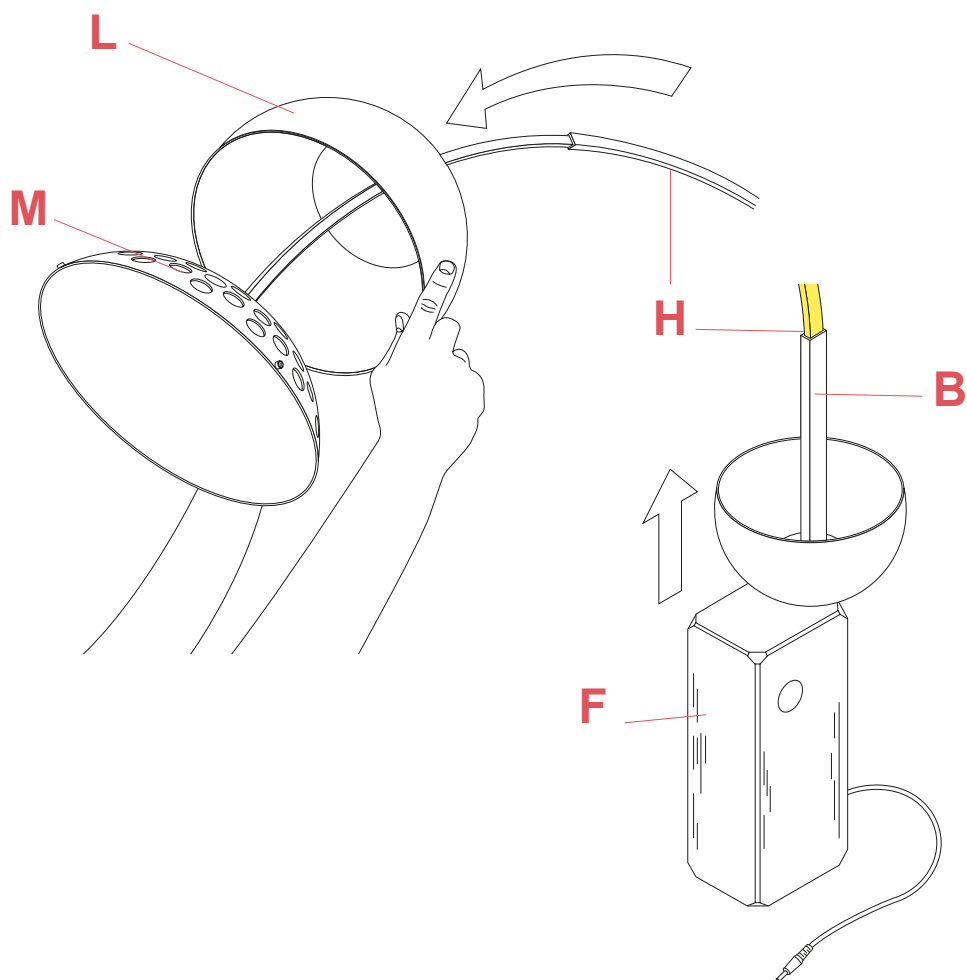


Fig.5

Collocate the reflector (L) on the grid (M) by sliding it through the stem (B) and through the channels of the appliance.

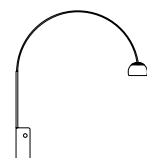
WARNING! When installing and whenever acting on the appliance, ensure that the power supply has been switched off.
For the installation of the spare-part, it is necessary to consult a qualified electrician.

ARCO LED F0303000

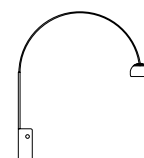
EN

RF0300200

PINS AND SCREW SET



Arco
p.03



Arco Led
p.32

WARNING! When installing and whenever acting on the appliance, ensure that the power supply has been switched off.
For the installation of the spare-part, it is necessary to consult a qualified electrician.

ARCO LED F0303000

EN

RF0300200

PINS AND SCREW SET

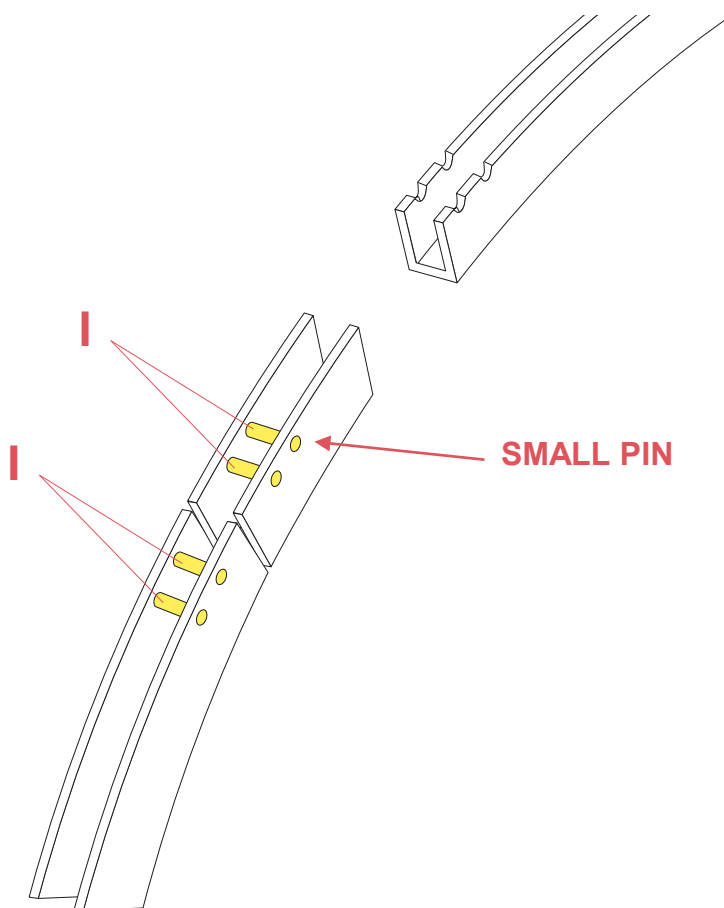


Fig.1

Fix the pins to the channels through there apposite screws.

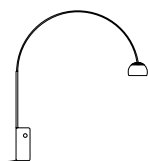
WARNING! When installing and whenever acting on the appliance, ensure that the power supply has been switched off.
For the installation of the spare-part, it is necessary to consult a qualified electrician.

ARCO LED F0303000

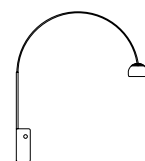
EN

RF02971

MEDIUM INOX CHANNEL



Arco
p.09



Arco Led
p.34

WARNING! When installing and whenever acting on the appliance, ensure that the power supply has been switched off.
For the installation of the spare-part, it is necessary to consult a qualified electrician.

ARCO LED F0303000

EN

RF02971

MEDIUM INOX CHANNEL

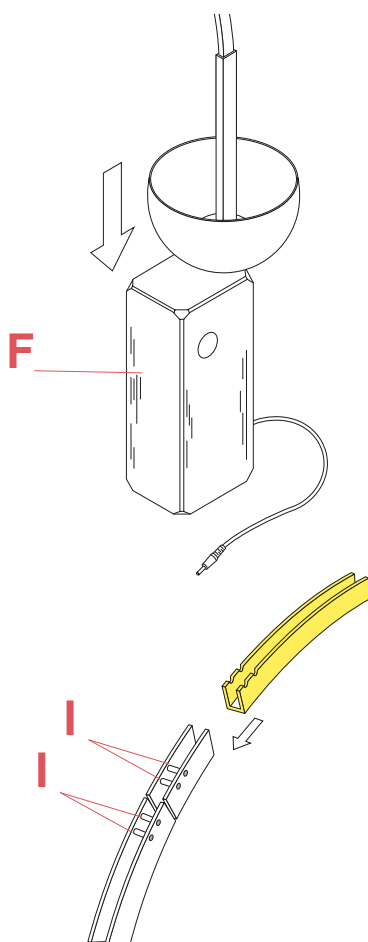


Fig.1

Collocate the reflector on the marble base (F).

Joint the medium channel to the long channel through the pins (I) according to the desired position.

WARNING! When installing and whenever acting on the appliance, ensure that the power supply has been switched off.
For the installation of the spare-part, it is necessary to consult a qualified electrician.

©2021 Flos - All rights reserved - www.flos.com
Flos reserves the right to introduce any changes to its own models, without prior notice.

ARCO LED F0303000

EN

RF02971

MEDIUM INOX CHANNEL

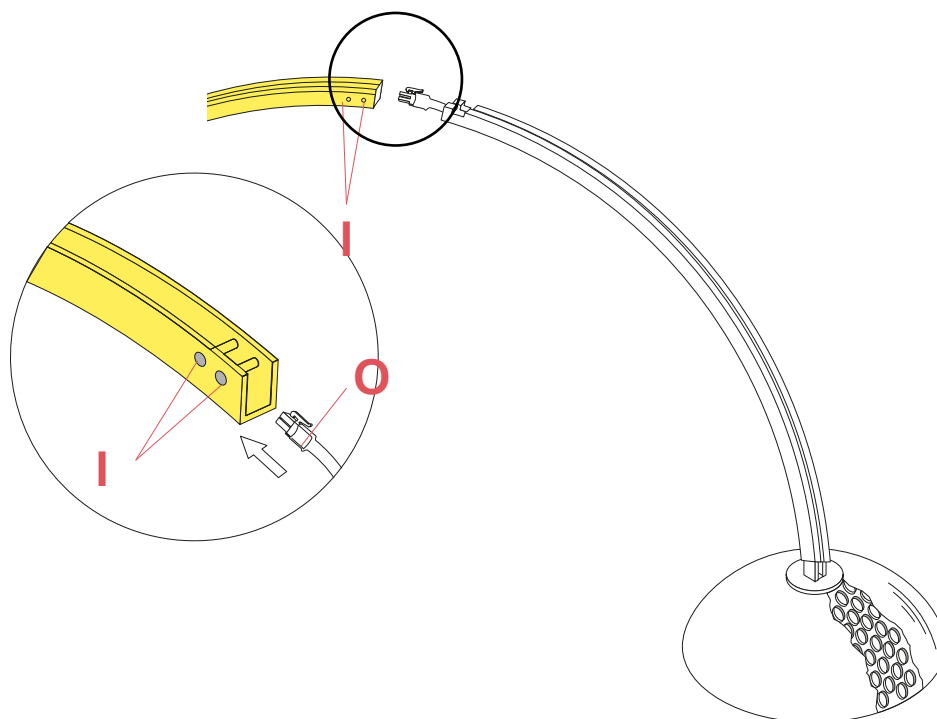


Fig.2

Insert the cable with the connector (O) underneath the pins (I) and slide it through the channel.

WARNING! When installing and whenever acting on the appliance, ensure that the power supply has been switched off.
For the installation of the spare-part, it is necessary to consult a qualified electrician.

ARCO LED F0303000

EN

RF02971

MEDIUM INOX CHANNEL

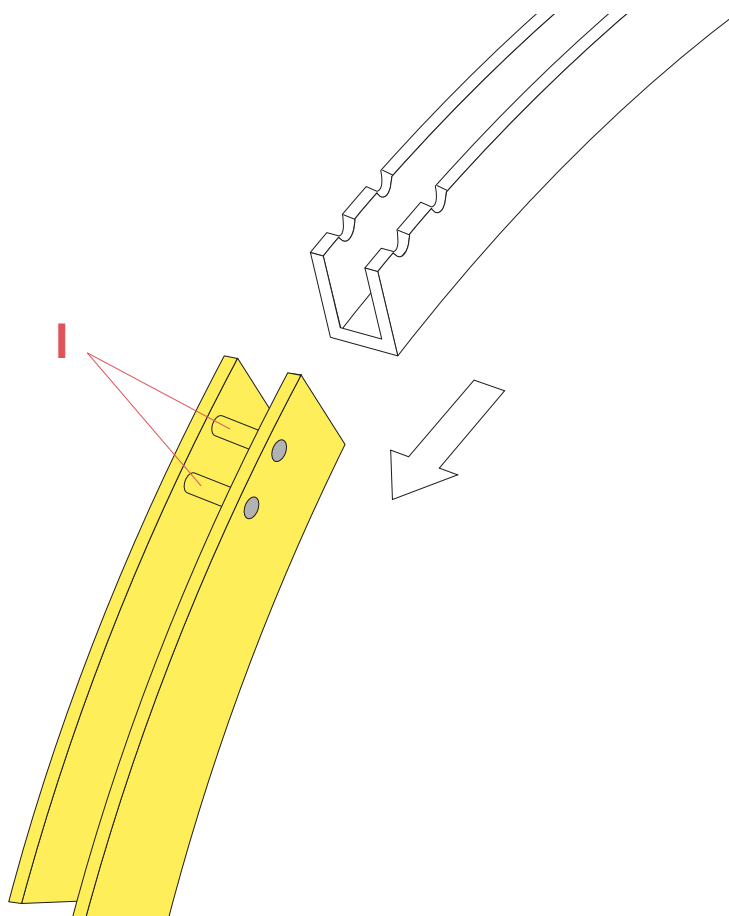


Fig.3

Joint the channel with grid to the medium channel through the pins (I).

WARNING! When installing and whenever acting on the appliance, ensure that the power supply has been switched off.
For the installation of the spare-part, it is necessary to consult a qualified electrician.

©2021 Flos - All rights reserved - www.flos.com
Flos reserves the right to introduce any changes to its own models, without prior notice.

ARCO LED F0303000

EN

RF02971

MEDIUM INOX CHANNEL

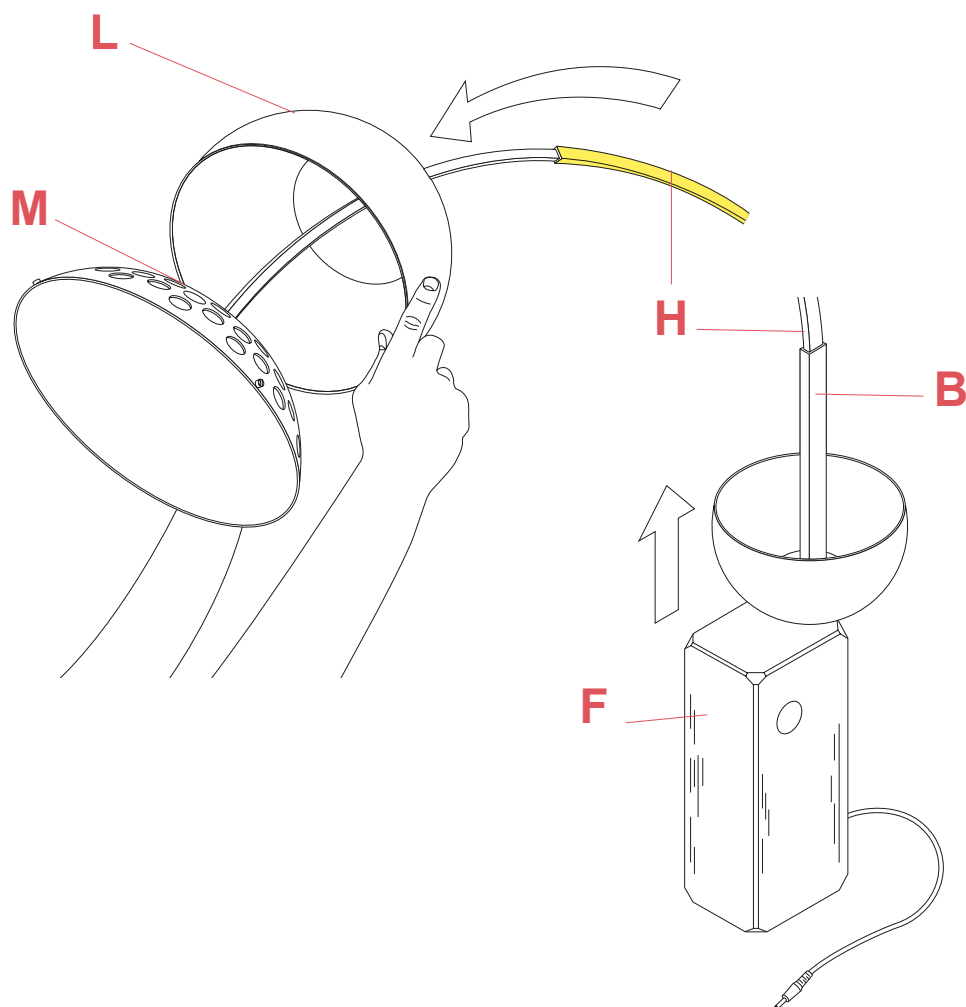


Fig.4

Collocate the reflector (L) on the grid (M) by sliding it through the stem (B) and through the channels of the appliance.

WARNING! When installing and whenever acting on the appliance, ensure that the power supply has been switched off.
For the installation of the spare-part, it is necessary to consult a qualified electrician.

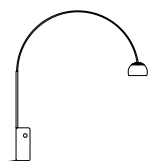
©2021 Flos - All rights reserved - www.flos.com
Flos reserves the right to introduce any changes to its own models, without prior notice.

ARCO LED F0303000

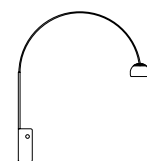
EN

RF00797

POLISHED REFLECTOR



Arco
p.19



Arco Led
p.39

WARNING! When installing and whenever acting on the appliance, ensure that the power supply has been switched off.
For the installation of the spare-part, it is necessary to consult a qualified electrician.

ARCO LED F0303000

EN

RF00797

POLISHED REFLECTOR

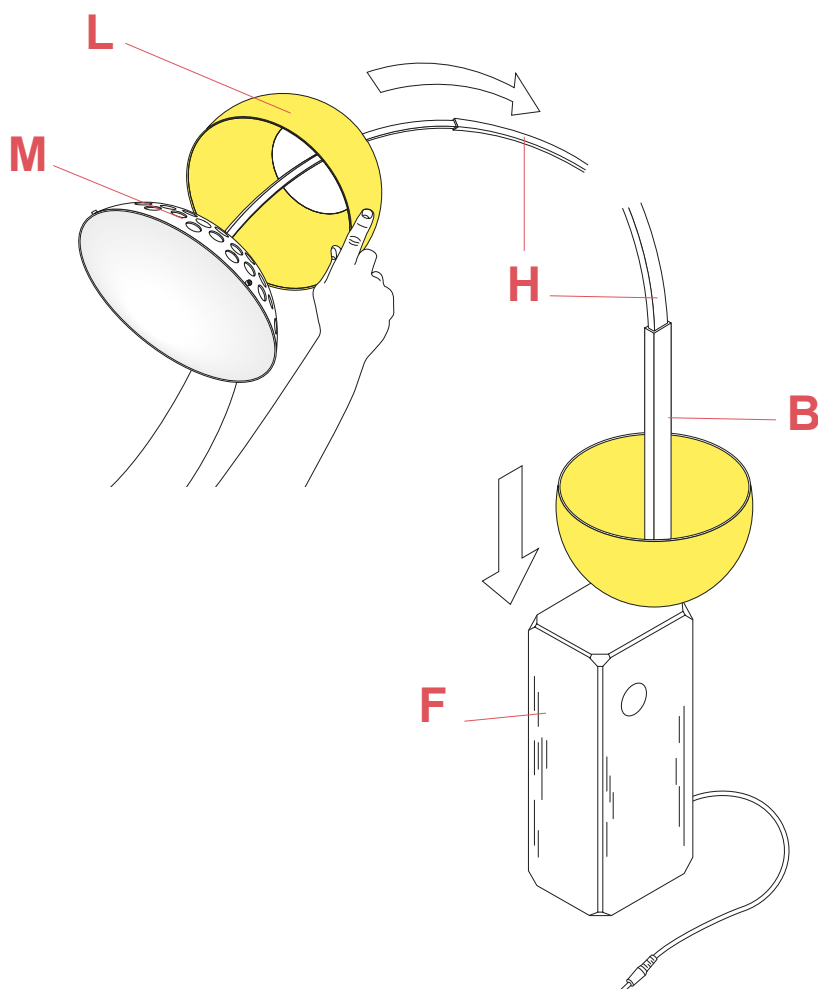


Fig.1

Lift the damaged reflector (L) from the grid (M) by sliding it along the channel (H) and the stem (B) and lean it on the top of the marble base (F) of the appliance.

WARNING! When installing and whenever acting on the appliance, ensure that the power supply has been switched off.
For the installation of the spare-part, it is necessary to consult a qualified electrician.

©2021 Flos - All rights reserved - www.flos.com
Flos reserves the right to introduce any changes to its own models, without prior notice.

ARCO LED F0303000

EN

RF00797

POLISHED REFLECTOR

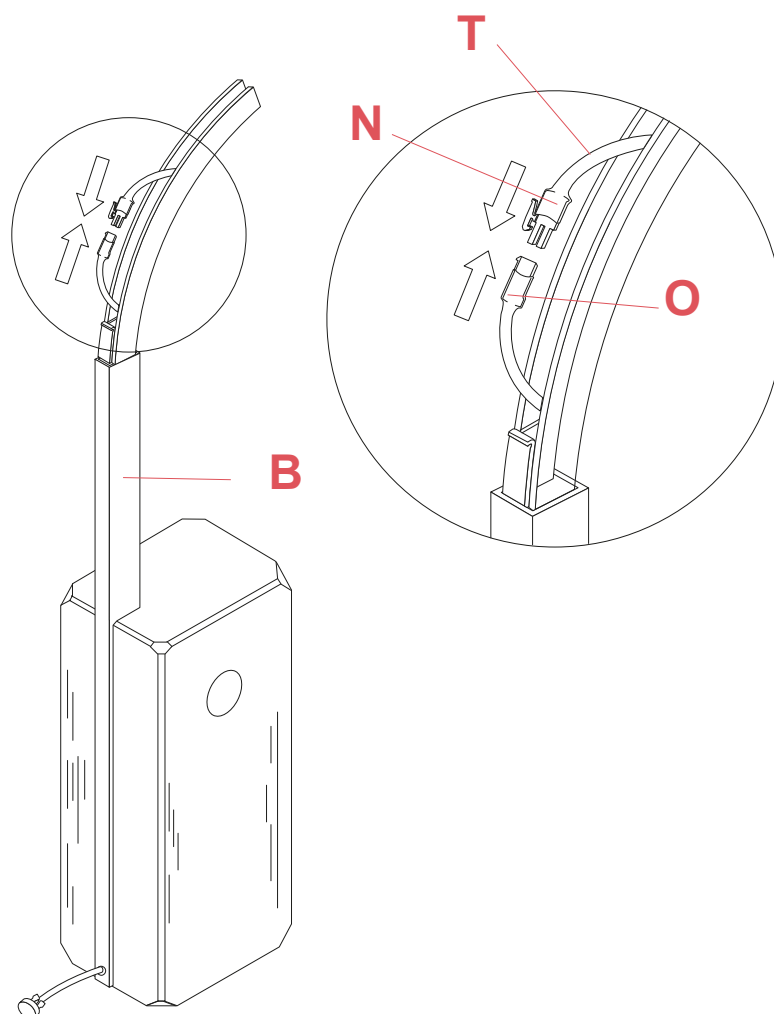


Fig.2

Disconnect the connector (N) from the connector (O) of the cable that comes from the stem (B).

WARNING! When installing and whenever acting on the appliance, ensure that the power supply has been switched off.
For the installation of the spare-part, it is necessary to consult a qualified electrician.

©2021 Flos - All rights reserved - www.flos.com
Flos reserves the right to introduce any changes to its own models, without prior notice.

ARCO LED F0303000

EN

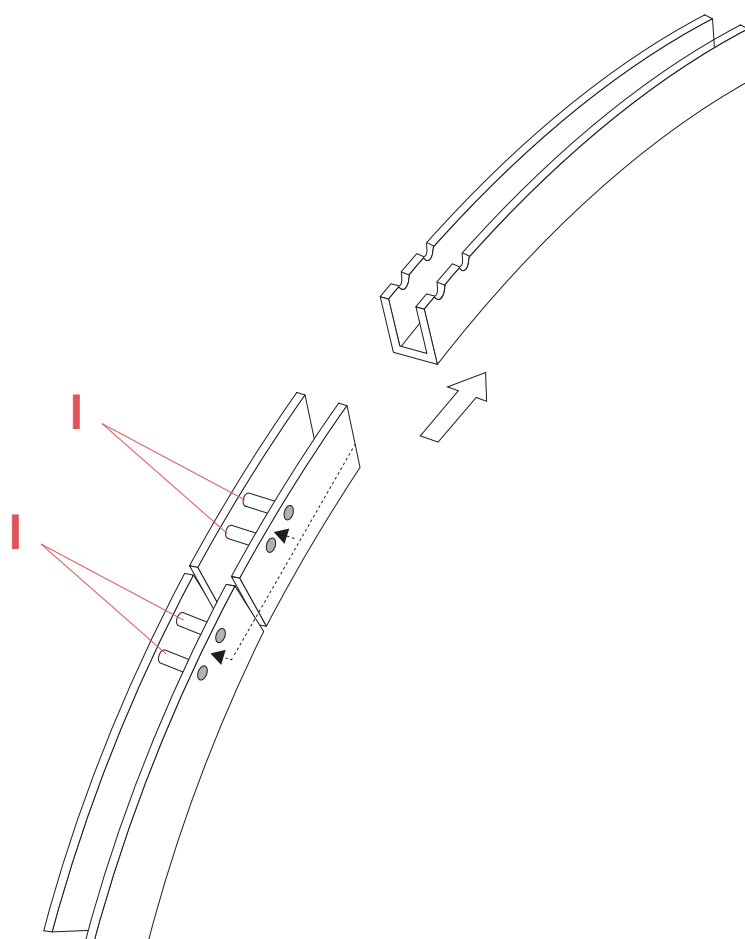
RF00797
POLISHED REFLECTOR

Fig.3

Unhook the canal with the grid assembly from the pins (I).

WARNING! When installing and whenever acting on the appliance, ensure that the power supply has been switched off.
For the installation of the spare-part, it is necessary to consult a qualified electrician.

ARCO LED F0303000

EN

RF00797

POLISHED REFLECTOR

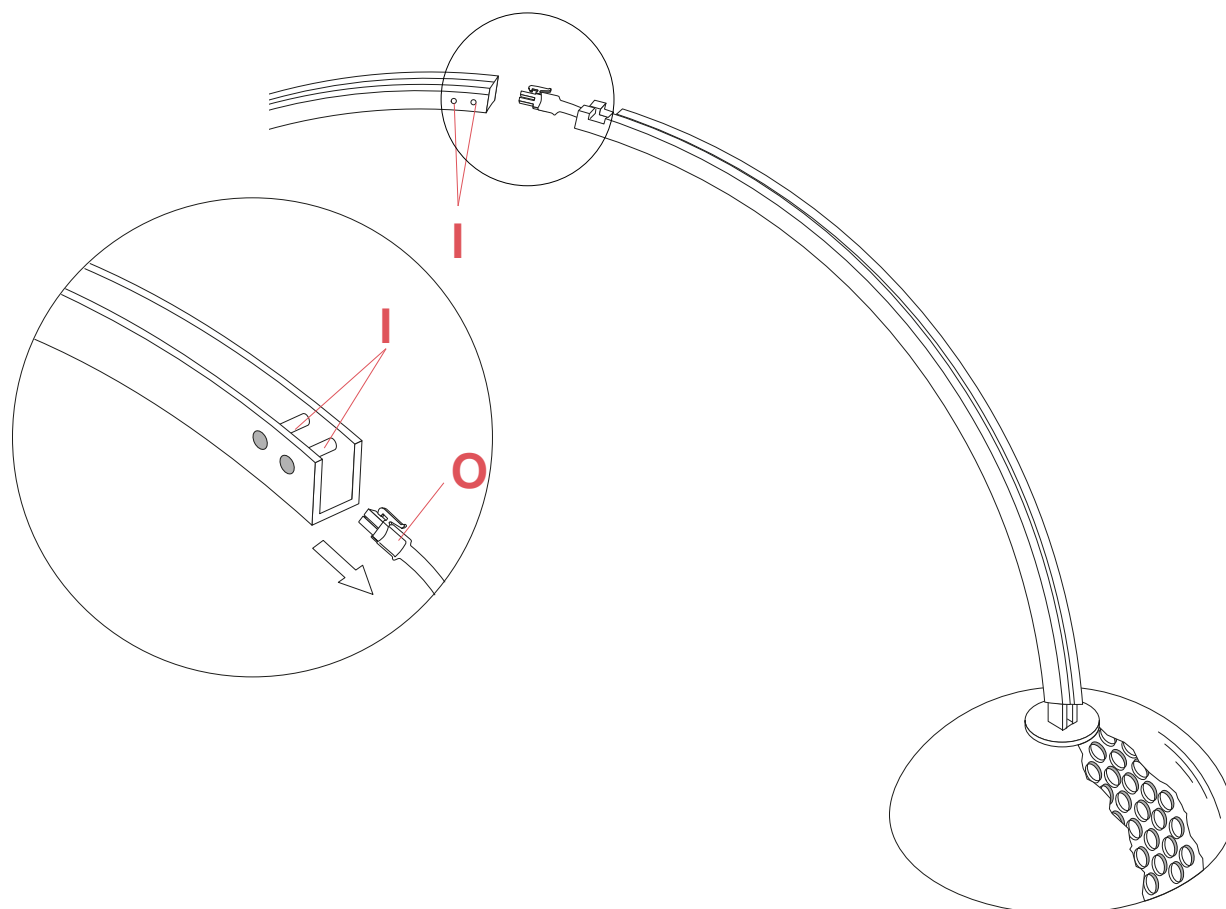


Fig.4

Slide out the electrical cable from the channel and remove the channel with the grid.

ATTENTION! Do not damage the connector (O) and cable whilst sliding it out from the pins (I).

WARNING! When installing and whenever acting on the appliance, ensure that the power supply has been switched off.
For the installation of the spare-part, it is necessary to consult a qualified electrician.

©2021 Flos - All rights reserved - www.flos.com
Flos reserves the right to introduce any changes to its own models, without prior notice.

ARCO LED F0303000

EN

RF00797

POLISHED REFLECTOR

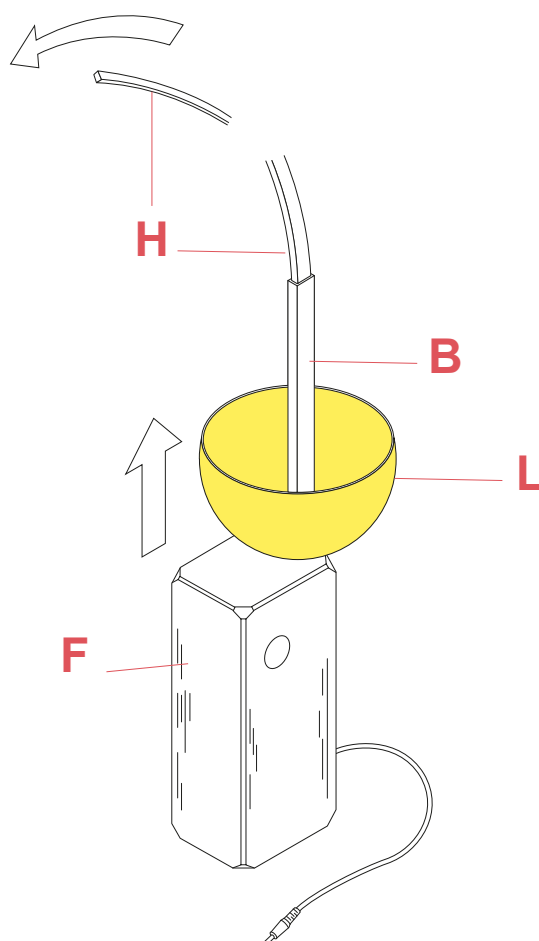


Fig.5

Slide off the damaged reflector (L) from the stem (B) and from the channel (H).

Assemble now the new spare-part:

Insert the new reflector (L) through the channel (H) and through the stem (B).

Lean the reflector on the marble base (F). Insert the cable with the connector (O) underneath the pins (I) and slide it through the channel.

Insert the cable with the connector (O) underneath the pins (I) and slide it through the channel. (Fig.5)

Joint the channel together through the pins (I) according to the desired position. (Fig.4 page 43)

After having positioned carefully the electric cable (T) on the bottom channel, connect the connector (N) to connector (O) of the cable coming from the stem (B). (Fig.3 page 42)

Collocate the reflector (L) on the grid (M) by sliding it through the stem (B) and through the channels of the appliance. (Fig.5)

WARNING! When installing and whenever acting on the appliance, ensure that the power supply has been switched off.
For the installation of the spare-part, it is necessary to consult a qualified electrician.

ARCO LED F0303000

EN

RF0303400

SMALL INOX CHANNEL WITH GRID AND LED



WARNING! When installing and whenever acting on the appliance, ensure that the power supply has been switched off.
For the installation of the spare-part, it is necessary to consult a qualified electrician.

©2021 Flos - All rights reserved - www.flos.com
Flos reserves the right to introduce any changes to its own models, without prior notice.

ARCO LED F0303000

EN

RF0303400

SMALL INOX CHANNEL WITH GRID AND LED

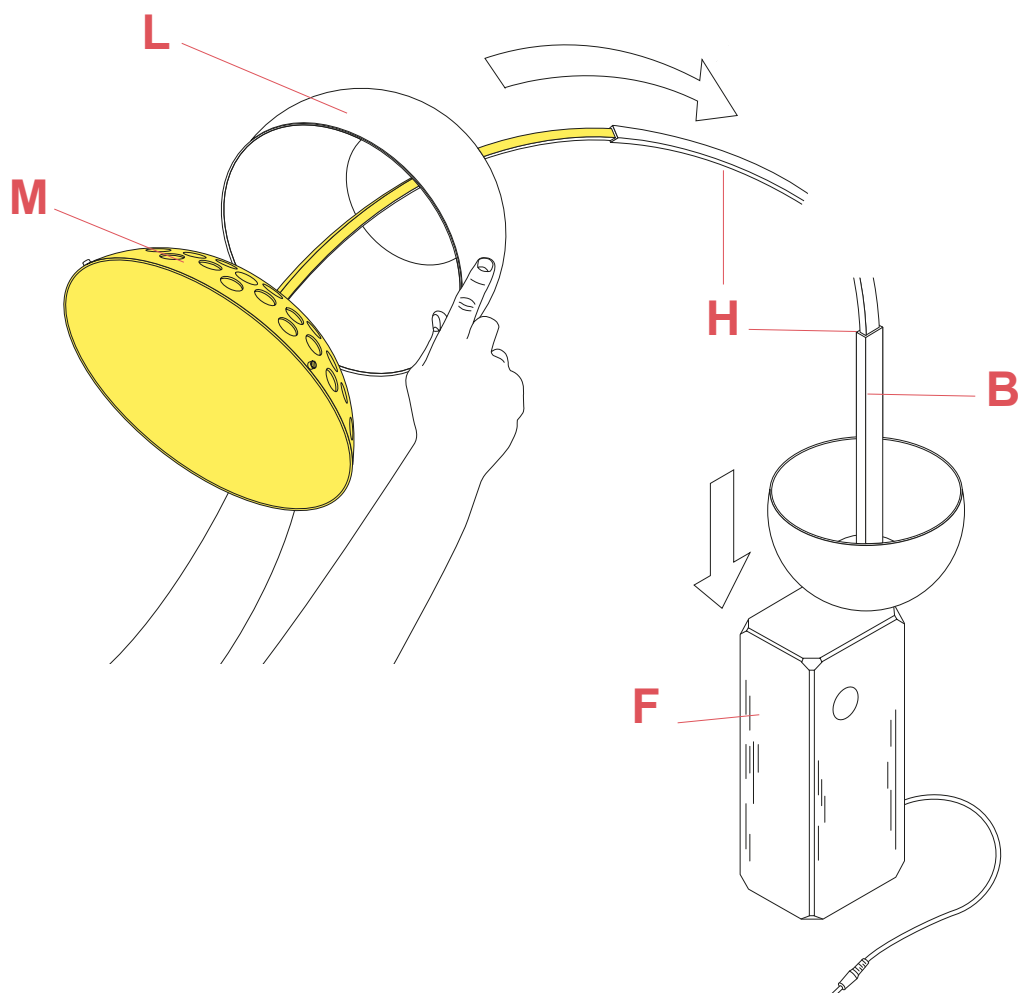


Fig.1

Lift the damaged reflector (L) from the grid (M) by sliding it along the channel (H) and the stem (B) and lean it on the top of the marble base (F) of the appliance.

WARNING! When installing and whenever acting on the appliance, ensure that the power supply has been switched off.
For the installation of the spare-part, it is necessary to consult a qualified electrician.

©2021 Flos - All rights reserved - www.flos.com
Flos reserves the right to introduce any changes to its own models, without prior notice.

ARCO LED F0303000

EN

RF0303400

SMALL INOX CHANNEL WITH GRID AND LED

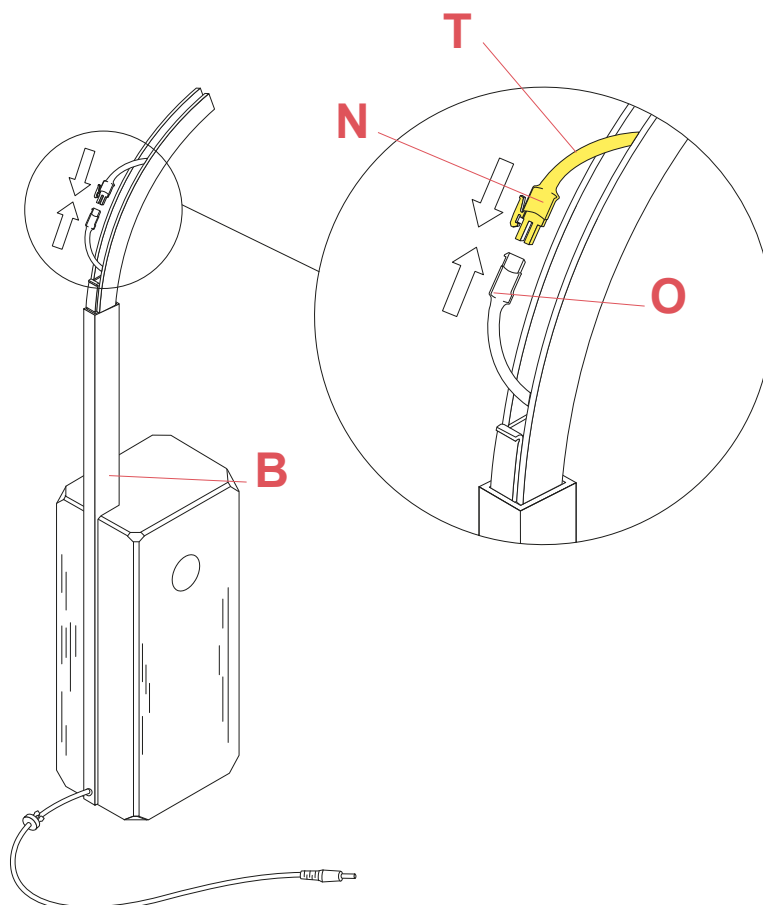


Fig.2

Disconnect the connector (N) from the connector (O) of the cable that comes from the stem (B).

WARNING! When installing and whenever acting on the appliance, ensure that the power supply has been switched off.
For the installation of the spare-part, it is necessary to consult a qualified electrician.

ARCO LED F0303000

EN

RF0303400

SMALL INOX CHANNEL WITH GRID AND LED

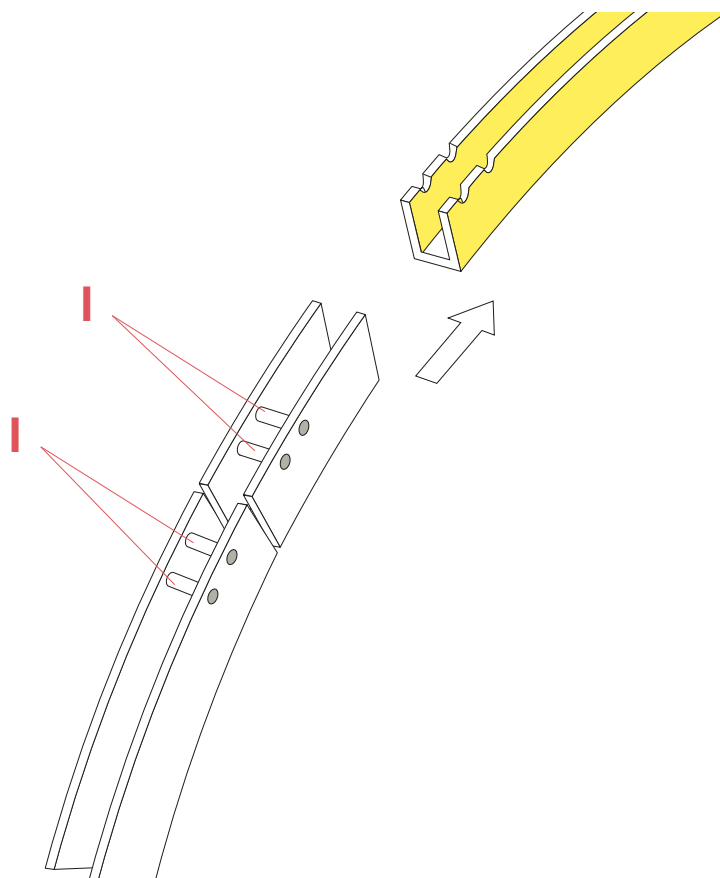


Fig.3

Unhook the channel with the grid assembly from the pins (I).

WARNING! When installing and whenever acting on the appliance, ensure that the power supply has been switched off.
For the installation of the spare-part, it is necessary to consult a qualified electrician.

ARCO LED F0303000

EN

RF0303400

SMALL INOX CHANNEL WITH GRID AND LED

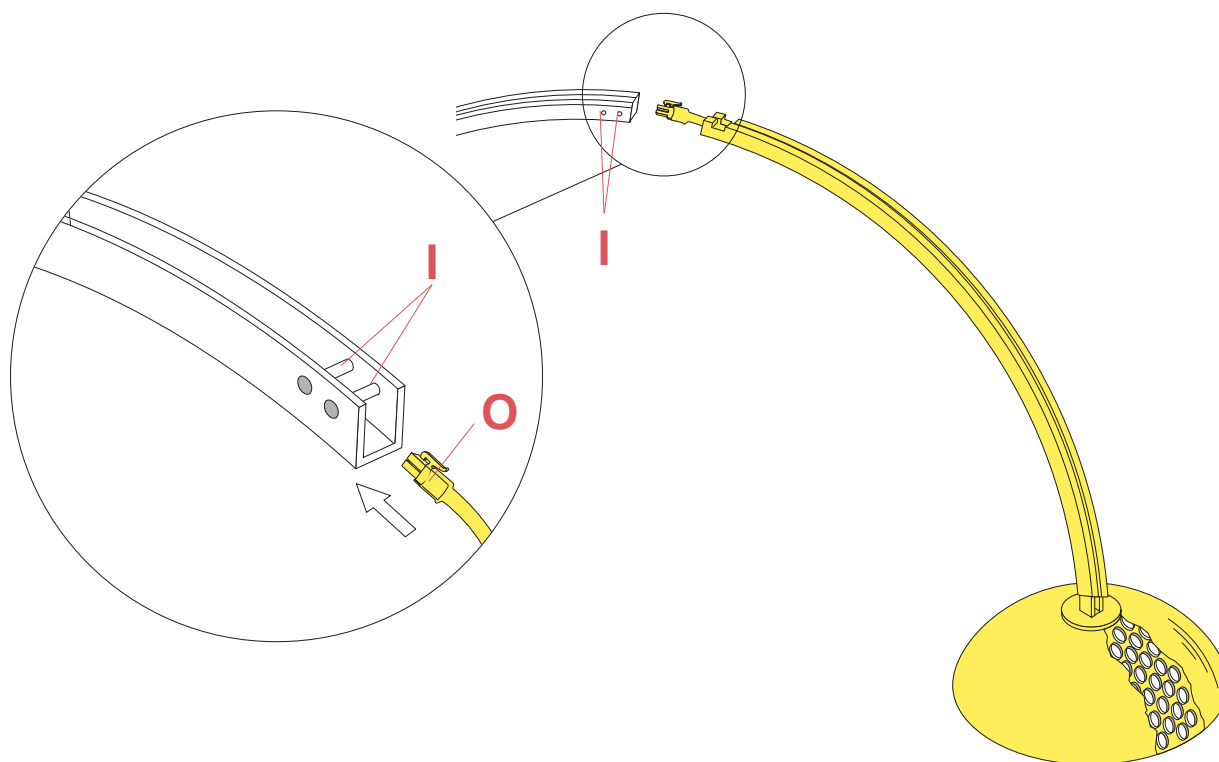


Fig.4

Slide out the electrical cable from the channel and remove the channel with the grid.
ATTENTION! Do not damage the connector (O) and cable whilst sliding it out from the pins (I).

Assemble now the new spare-part:
Insert the cable with the connector (O) underneath the pins (I)
and slide it through the channel.

WARNING! When installing and whenever acting on the appliance, ensure that the power supply has been switched off.
For the installation of the spare-part, it is necessary to consult a qualified electrician.

©2021 Flos - All rights reserved - www.flos.com
Flos reserves the right to introduce any changes to its own models, without prior notice.

ARCO LED F0303000

EN

RF0303400

SMALL INOX CHANNEL WITH GRID AND LED

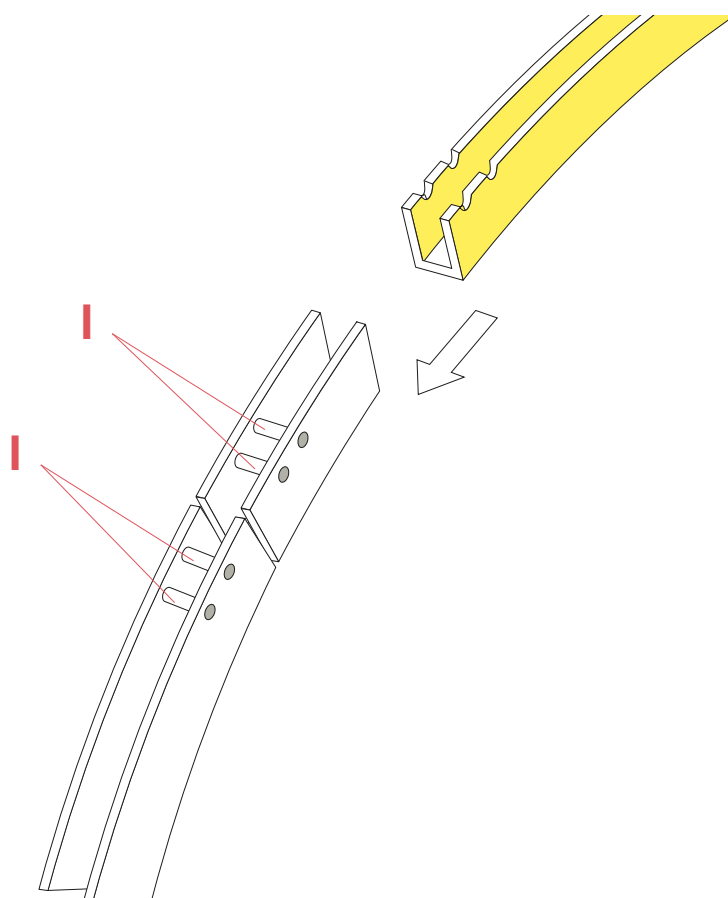


Fig.5

Joint the channel together through the pins (l) according to the desired position.

After having positioned carefully the electric cable (T) on the bottom channel, connect the connector (N) to connector (O) of the cable coming from the stem (B).(Fig.3 page 48)

Collocate the reflector (L) on the grid (M) by sliding it through the stem (B) and through the channels of the appliance.(Fig.1 page 46)

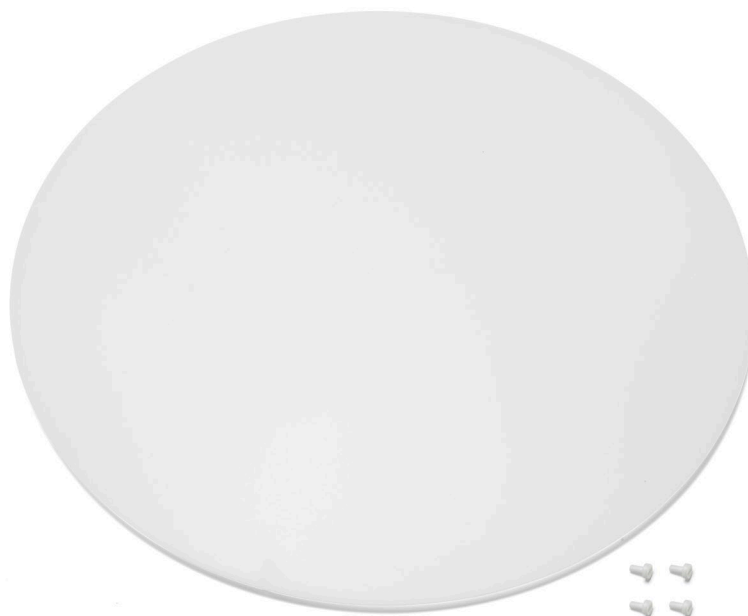
WARNING! When installing and whenever acting on the appliance, ensure that the power supply has been switched off.
For the installation of the spare-part, it is necessary to consult a qualified electrician.

ARCO LED F0303000

EN

RF0303200

OPTICAL LED DIFFUSER WITH FIXING SCREWS



WARNING! When installing and whenever acting on the appliance, ensure that the power supply has been switched off.
For the installation of the spare-part, it is necessary to consult a qualified electrician.

©2021 Flos - All rights reserved - www.flos.com
Flos reserves the right to introduce any changes to its own models, without prior notice.

ARCO LED F0303000

EN

RF0303200

OPTICAL LED DIFFUSER WITH FIXING SCREWS

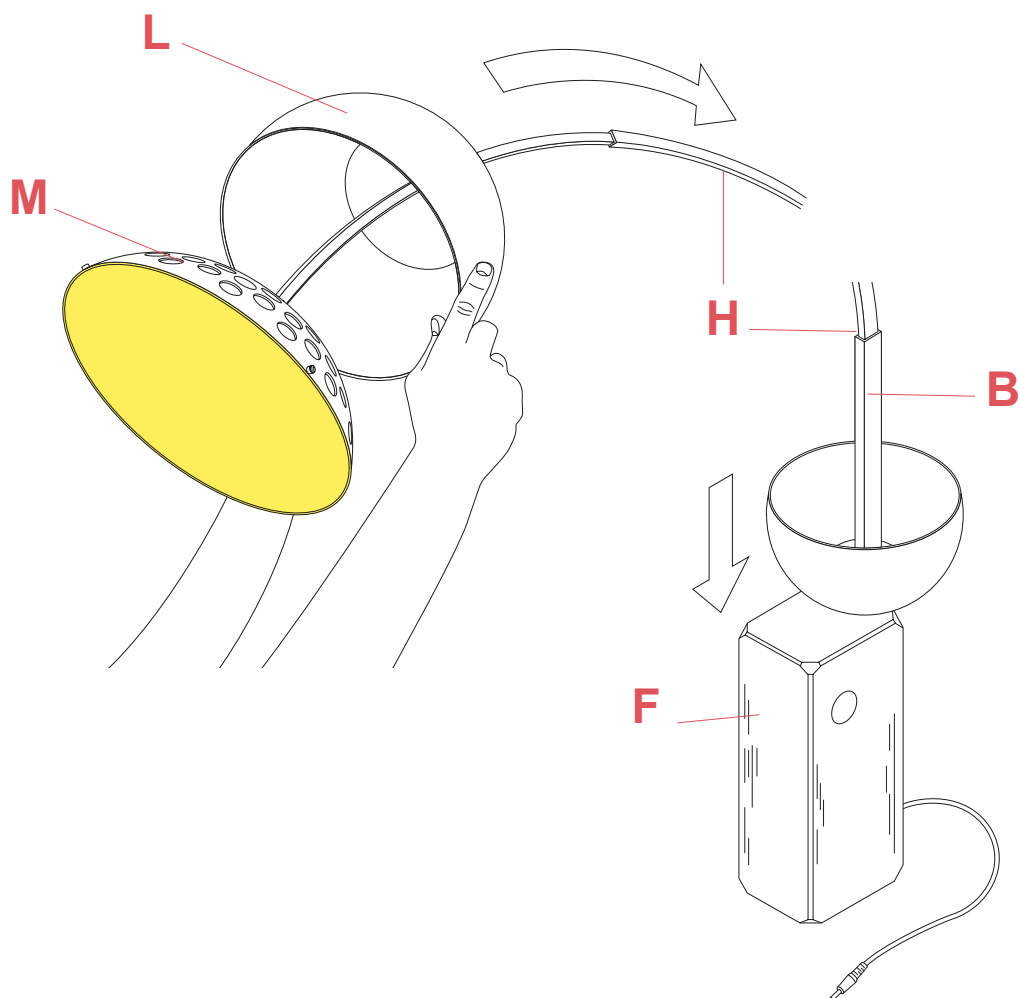


Fig.1

Lift the reflector (L) from the grid (M) by sliding it along the channel (H) and the stem (B) and lean it on the top of the marble base (F) of the appliance.

WARNING! When installing and whenever acting on the appliance, ensure that the power supply has been switched off.
For the installation of the spare-part, it is necessary to consult a qualified electrician.

©2021 Flos - All rights reserved - www.flos.com
Flos reserves the right to introduce any changes to its own models, without prior notice.

ARCO LED F0303000

EN

RF0303200

OPTICAL LED DIFFUSER WITH FIXING SCREWS

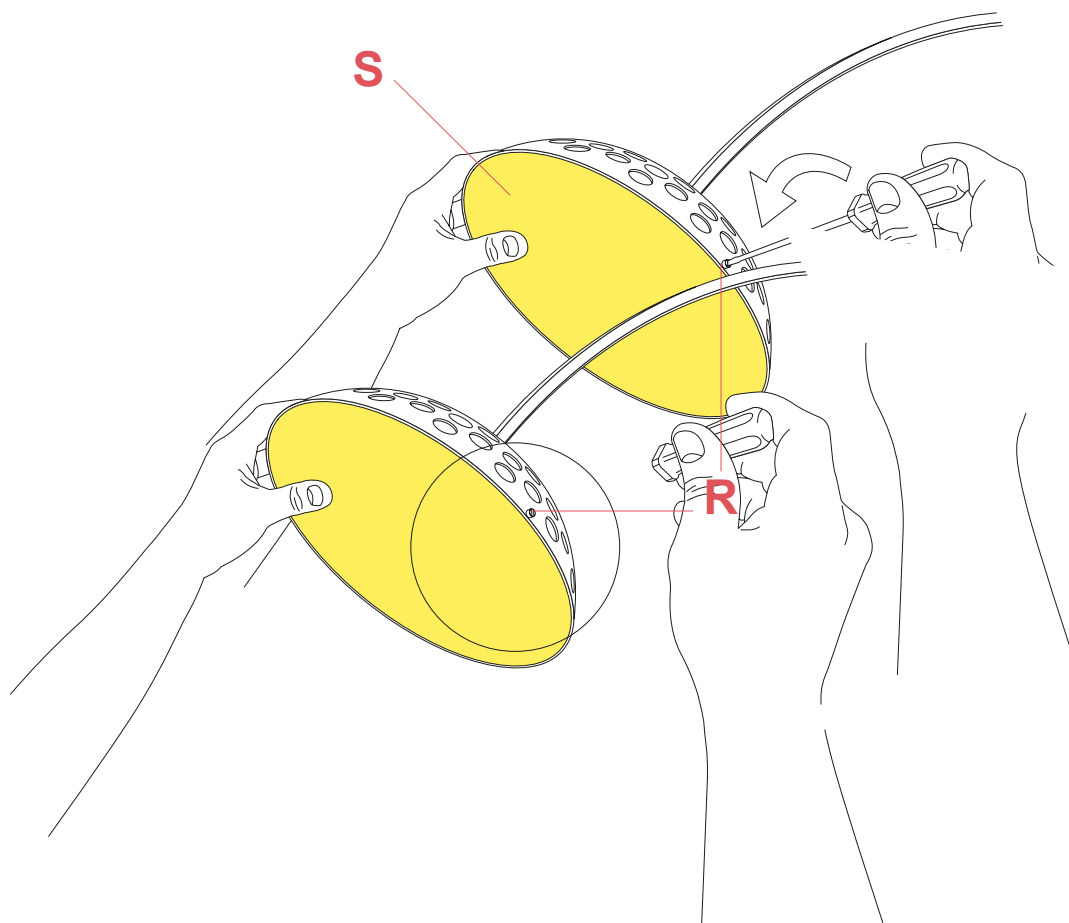


Fig.2

Unscrew the four fixing screws (R) and remove then the damaged diffuser (S) from its housing.
WARNING! Be careful not to lose the four screws because they are special screws with limited availability.

Assemble now the new spare-part:
Install the diffuser (S) by fastening the four screws (R).

Place the reflector (L) on the grid (M). (Fig.1 page 56)

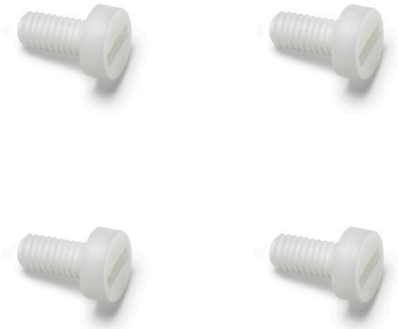
WARNING! When installing and whenever acting on the appliance, ensure that the power supply has been switched off.
For the installation of the spare-part, it is necessary to consult a qualified electrician.

ARCO LED F0303000

EN

RF0303300

OPTICAL LED DIFFUSER FIXING SCREWS



WARNING! When installing and whenever acting on the appliance, ensure that the power supply has been switched off.
For the installation of the spare-part, it is necessary to consult a qualified electrician.

©2021 Flos - All rights reserved - www.flos.com
Flos reserves the right to introduce any changes to its own models, without prior notice.

ARCO LED F0303000

EN

RF0303300

OPTICAL LED DIFFUSER FIXING SCREWS

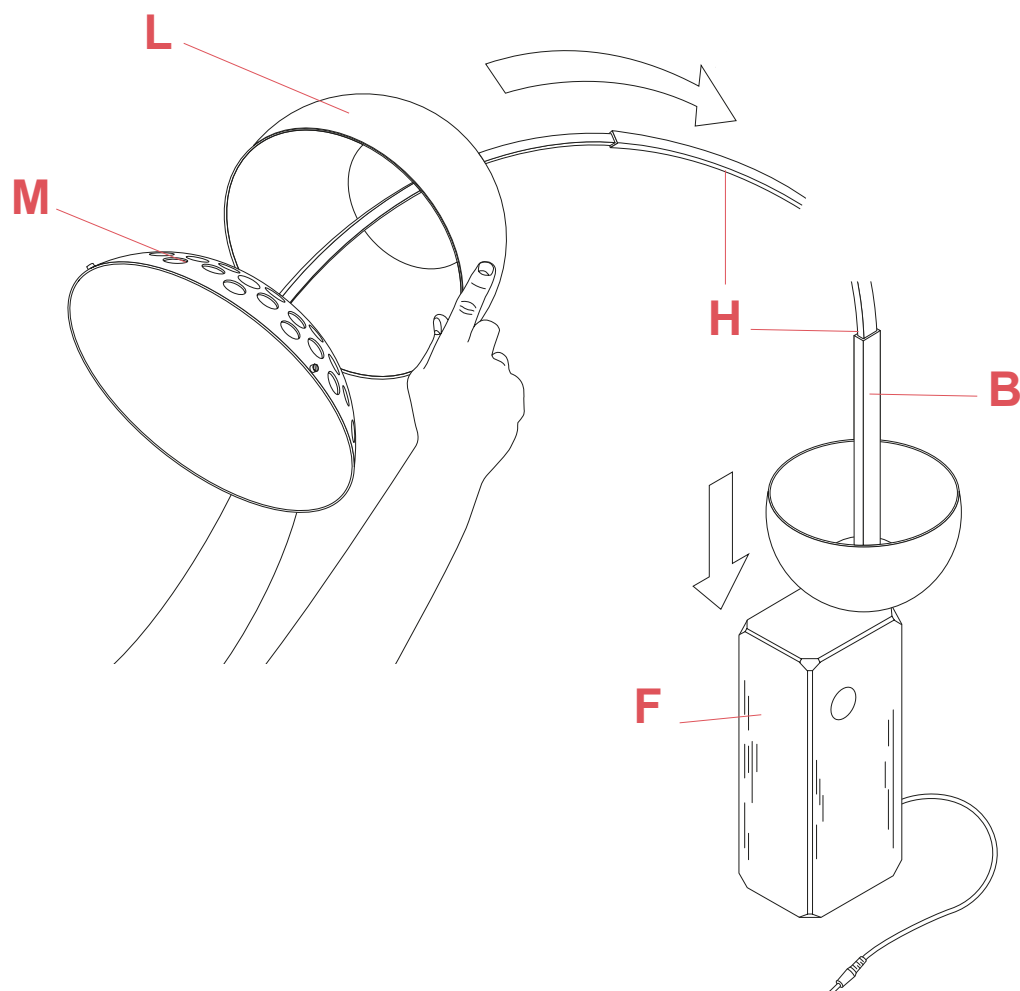


Fig.1

Lift the reflector (L) from the grid (M) by sliding it along the channel (H) and the stem (B) and lean it on the top of the marble base (F) of the appliance.

WARNING! When installing and whenever acting on the appliance, ensure that the power supply has been switched off.
For the installation of the spare-part, it is necessary to consult a qualified electrician.

©2021 Flos - All rights reserved - www.flos.com
Flos reserves the right to introduce any changes to its own models, without prior notice.

ARCO LED F0303000

EN

RF0303300

OPTICAL LED DIFFUSER FIXING SCREWS

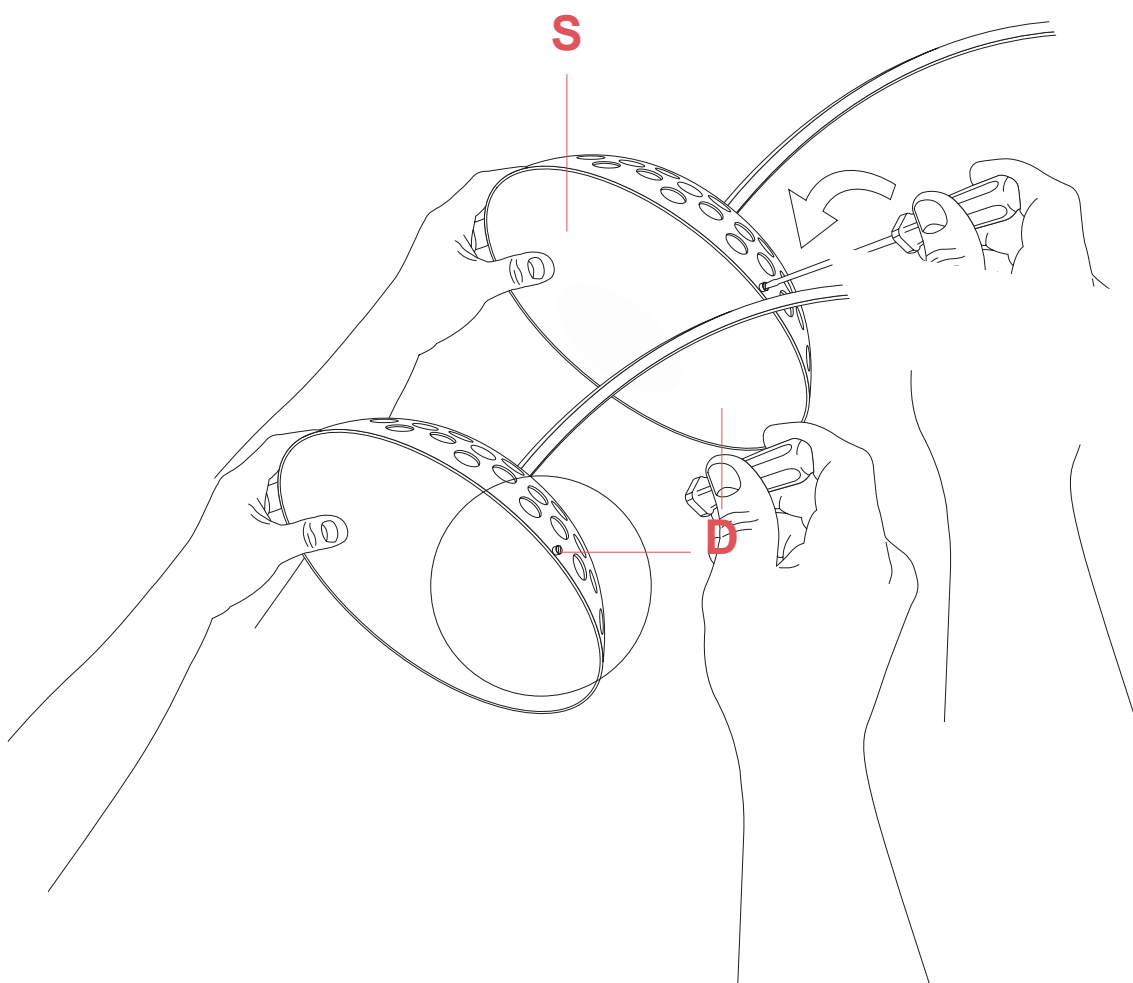


Fig.2

Install the diffuser (S) by fastening the four screws (R).
Place the reflector (L) on the grid (M).

WARNING! When installing and whenever acting on the appliance, ensure that the power supply has been switched off.
For the installation of the spare-part, it is necessary to consult a qualified electrician.

©2021 Flos - All rights reserved - www.flos.com
Flos reserves the right to introduce any changes to its own models, without prior notice.