

## RF04635

Lamp holder assembly



WARNING! When installing and whenever acting on the appliance, ensure that the power supply has been switched off.  
For the installation of the spare-part, it is necessary to consult a qualified electrician.

# RF04635

Lamp holder assembly

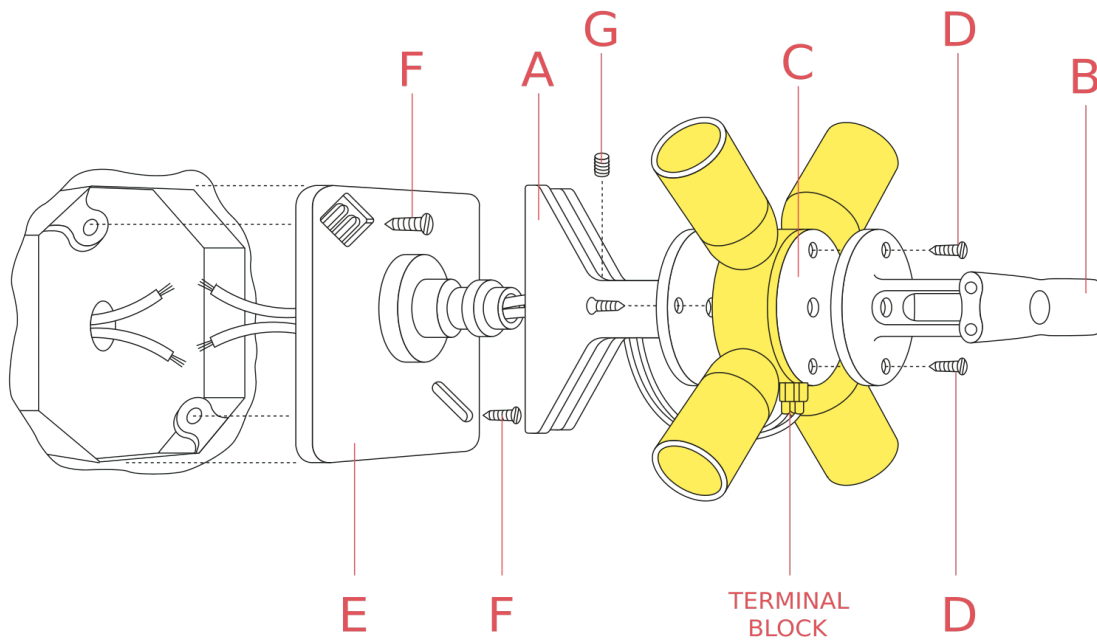


Fig.1

Replace the lamp holder assembly.  
Connect the electrical wires to the terminals respecting the polarities (Phase = black, Neutral= white, Earth= green/yellow).

WARNING! When installing and whenever acting on the appliance, ensure that the power supply has been switched off.  
For the installation of the spare-part, it is necessary to consult a qualified electrician.