

RF1035109

Power charger with electrical cable & plugs



WARNING! When installing and whenever acting on the appliance, ensure that the power supply has been switched off.
For the installation of the spare-part, it is necessary to consult a qualified electrician.

RF1035109

Power charger with electrical cable & plugs

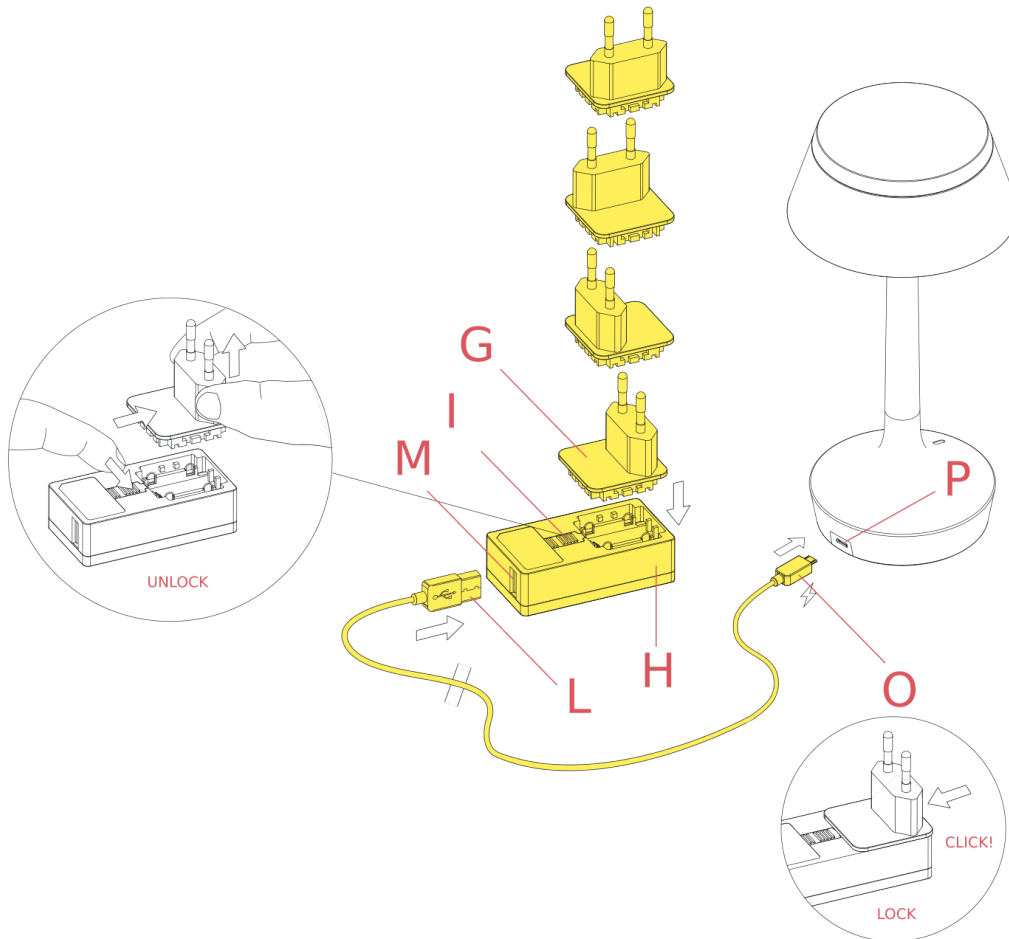


Fig.1

RECHARGING THE BATTERY. Insert the plug (G) in the power adaptor (H) in the preferred working position (the plug can be inserted in any side of the power adaptor block) until you hear the snap-in click (use the correct type of plug for the country the lamp is installed in); to remove the plug press the power adaptor's push button (I). Insert the USB plug (L) of the cable provided in its housing (M) on the power adaptor then insert the micro-USB plug (O) into the lamp's connector (P).

The complete recharging time is 3 hours. With the lamp turned on to 100% of the light intensity, the operating autonomy without cable is 6 hours; after 6 hours the light intensity automatically reduces by 20% and the lamp signals the need for recharge with three flashes which will be repeated every 10 minutes until it is put on charge. NOTE: This product includes a self-protection system. If it remains connected to the power source for more than the indicated charging time, the service life of the battery will not be affected (1000 charging cycles guaranteed).

WARNING! When installing and whenever acting on the appliance, ensure that the power supply has been switched off. For the installation of the spare-part, it is necessary to consult a qualified electrician.

RF1035109

Power charger with electrical cable & plugs

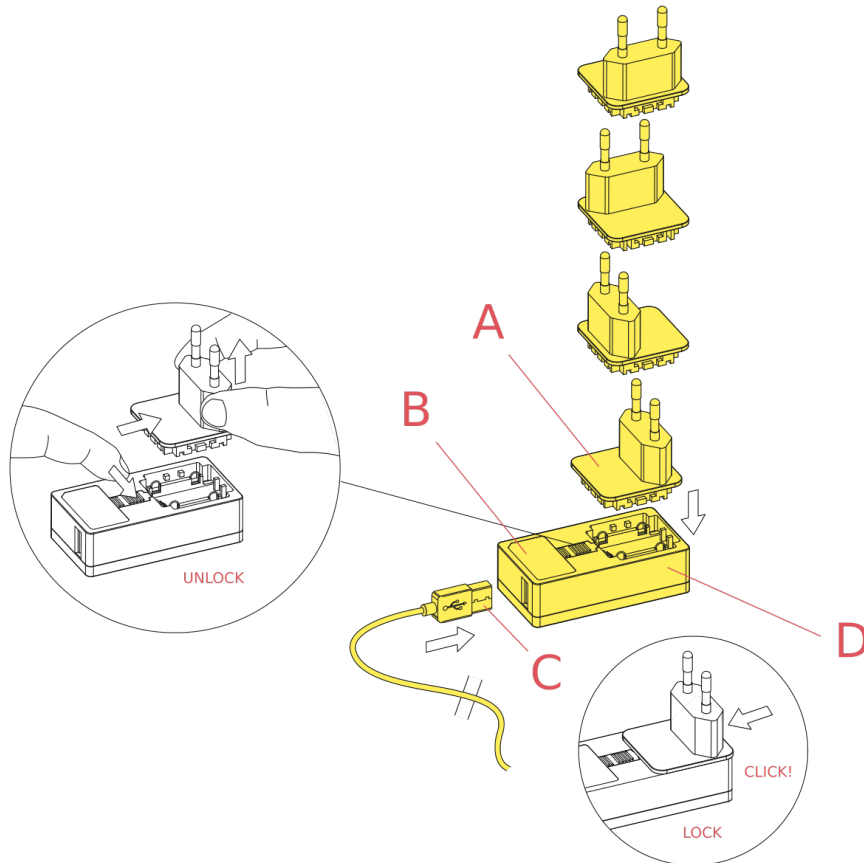


Fig.1

BATTERY RECHARGE.

Insert the plug (A) into the power adaptor (D) in the working position of your choice (the plug can be inserted into any side of the power adaptor) until you hear the snap-in fastener go click (use the correct type of plug for country the device is installed in); to remove the plug, press the power adaptor's button (B). Insert the USB plug (C) of the cable provided into the power adapter's USB port (E).

WARNING! When installing and whenever acting on the appliance, ensure that the power supply has been switched off. For the installation of the spare-part, it is necessary to consult a qualified electrician.

RF1035109

Power charger with electrical cable & plugs

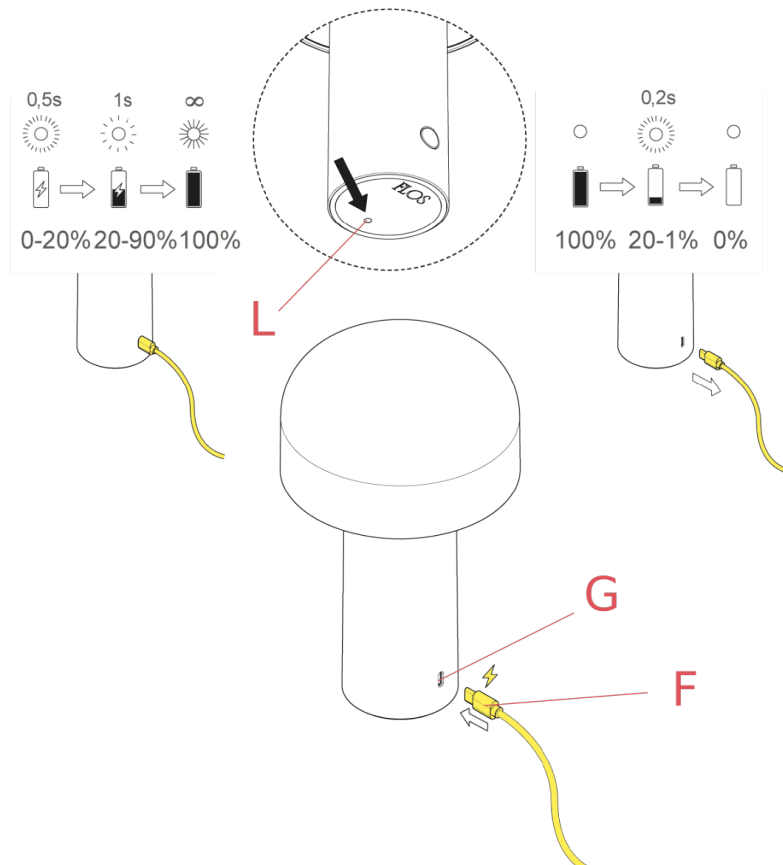


Fig.2

BATTERY RECHARGE. Insert the micro-USB plug (F) into the device's connector (G); the recharge status is indicated by the pulse frequency of the led (L) positioned on the base of the device: when the charge level is less than 20% the led flashes at a high frequency (every 0.5 seconds), from 20% to 90% the led flashes at a lower frequency (every 1 second), at full charge the led stays on continuously. The complete charging time is 3 hours. With the device on at 100% light intensity, the wireless operating autonomy is 6 hours (By reducing the light's intensity it is possible to maximise the lifespan up to 24 hours); after 6 hours, the light intensity automatically lowers to 20% and the device signals the need to recharge with a high frequency flashing of the led (L) (every 0.2 seconds) until it is put on charge or until the battery runs down completely. NB: the product is equipped with a self-protection system: if it stays connected to the power adaptor beyond the indicated charging time it won't affect the battery life (500 recharges guaranteed).

WARNING! When installing and whenever acting on the appliance, ensure that the power supply has been switched off. For the installation of the spare-part, it is necessary to consult a qualified electrician.

RF1035109

Power charger with electrical cable & plugs

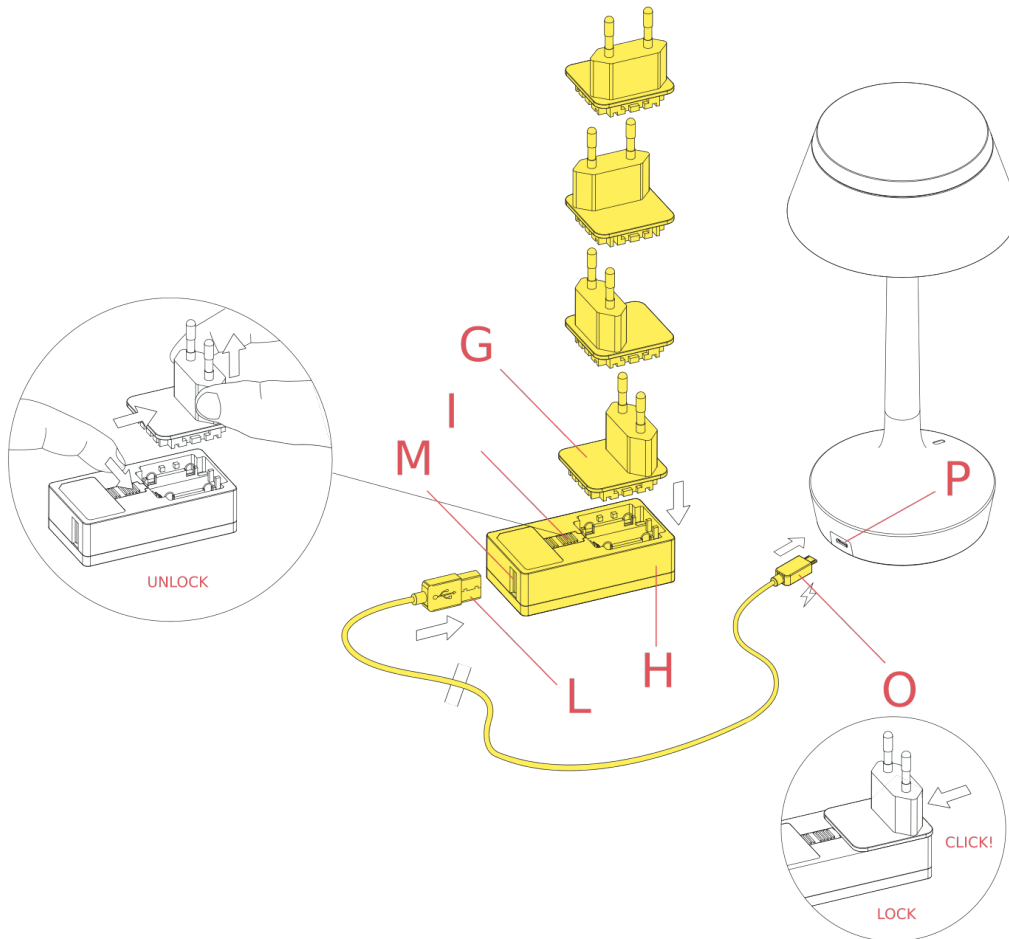


Fig.1

RECHARGING THE BATTERY. Insert the plug (G) in the power adaptor (H) in the preferred working position (the plug can be inserted in any side of the power adaptor block) until you hear the snap-in click (use the correct type of plug for the country the lamp is installed in); to remove the plug press the power adaptor's push button (I). Insert the USB plug (L) of the cable provided in its housing (M) on the power adaptor then insert the micro-USB plug (O) into the lamp's connector (P).

The complete recharging time is 3 hours. With the lamp turned on to 100% of the light intensity, the operating autonomy without cable is 6 hours; after 6 hours the light intensity automatically reduces by 20% and the lamp signals the need for recharge with three flashes which will be repeated every 10 minutes until it is put on charge. NOTE: This product includes a self-protection system. If it remains connected to the power source for more than the indicated charging time, the service life of the battery will not be affected (1000 charging cycles guaranteed).

WARNING! When installing and whenever acting on the appliance, ensure that the power supply has been switched off. For the installation of the spare-part, it is necessary to consult a qualified electrician.

RF1035109

Power charger with electrical cable & plugs

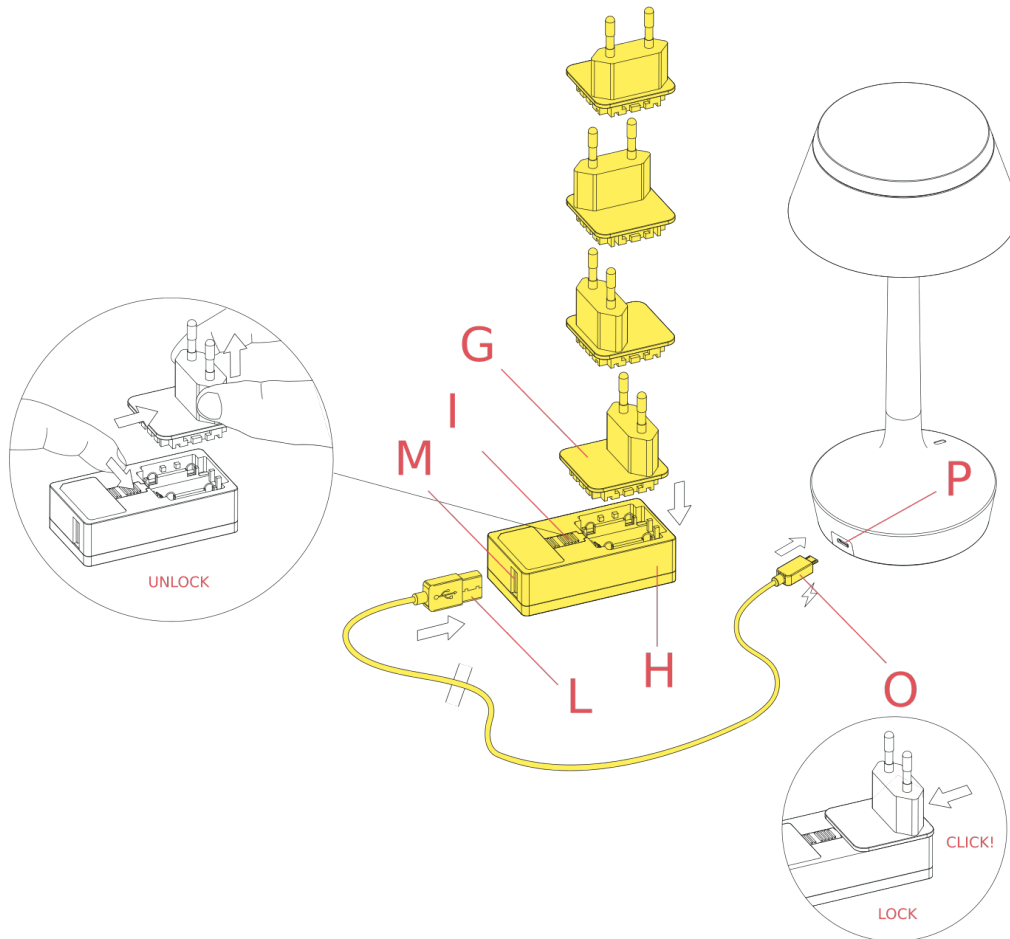


Fig.1

RECHARGING THE BATTERY. Insert the plug (G) in the power adaptor (H) in the preferred working position (the plug can be inserted in any side of the power adaptor block) until you hear the snap-in click (use the correct type of plug for the country the lamp is installed in); to remove the plug press the power adaptor's push button (I). Insert the USB plug (L) of the cable provided in its housing (M) on the power adaptor then insert the micro-USB plug (O) into the lamp's connector (P).

The complete recharging time is 3 hours. With the lamp turned on to 100% of the light intensity, the operating autonomy without cable is 6 hours; after 6 hours the light intensity automatically reduces by 20% and the lamp signals the need for recharge with three flashes which will be repeated every 10 minutes until it is put on charge. **NOTE:** This product includes a self-protection system. If it remains connected to the power source for more than the indicated charging time, the service life of the battery will not be affected (1000 charging cycles guaranteed).

WARNING! When installing and whenever acting on the appliance, ensure that the power supply has been switched off. For the installation of the spare-part, it is necessary to consult a qualified electrician.