

RF9550300

New type attachment assembly with g9 lamp holder and safety ring



WARNING! When installing and whenever acting on the appliance, ensure that the power supply has been switched off.
For the installation of the spare-part, it is necessary to consult a qualified electrician.

RF9550300

New type attachment assembly with g9 lamp holder and safety ring

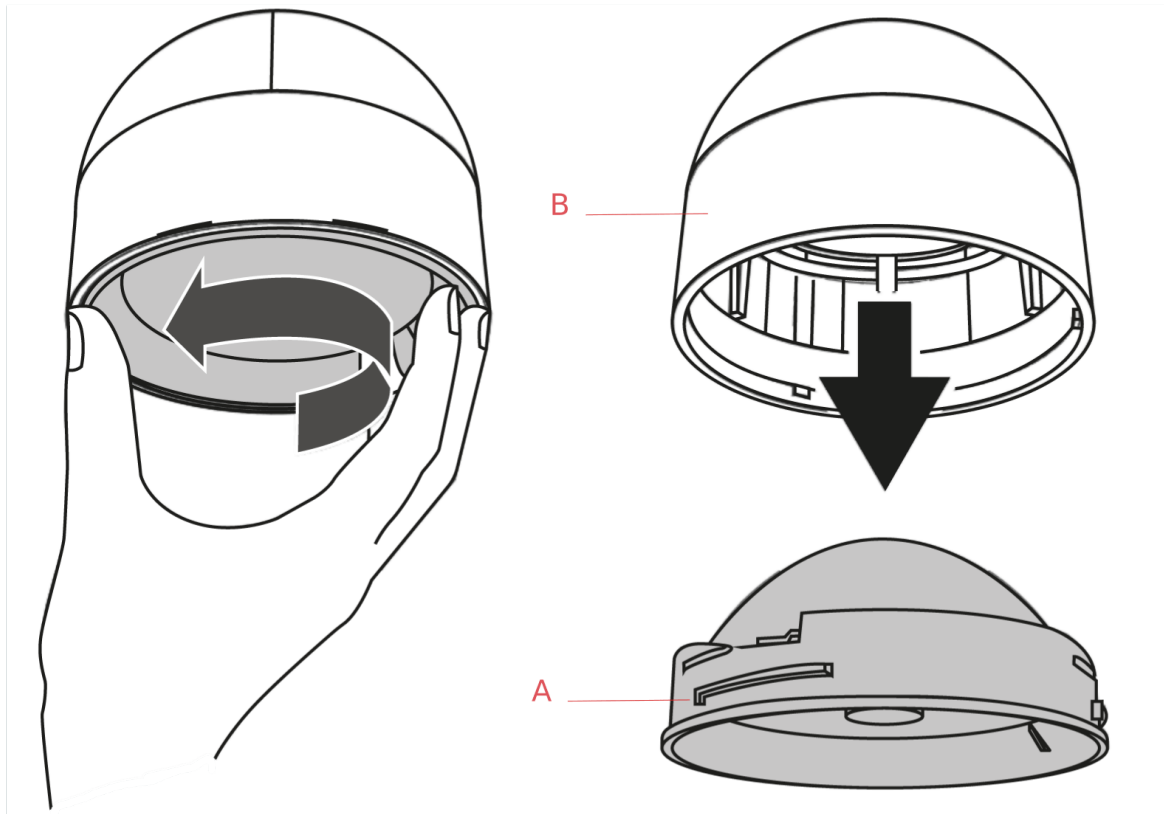


Fig.1

Remove the reflector/diffuser (A) from the lamp body (B) by slight rotating it anticlockwise.

WARNING! When installing and whenever acting on the appliance, ensure that the power supply has been switched off.
For the installation of the spare-part, it is necessary to consult a qualified electrician.

RF9550300

New type attachment assembly with g9 lamp holder and safety ring

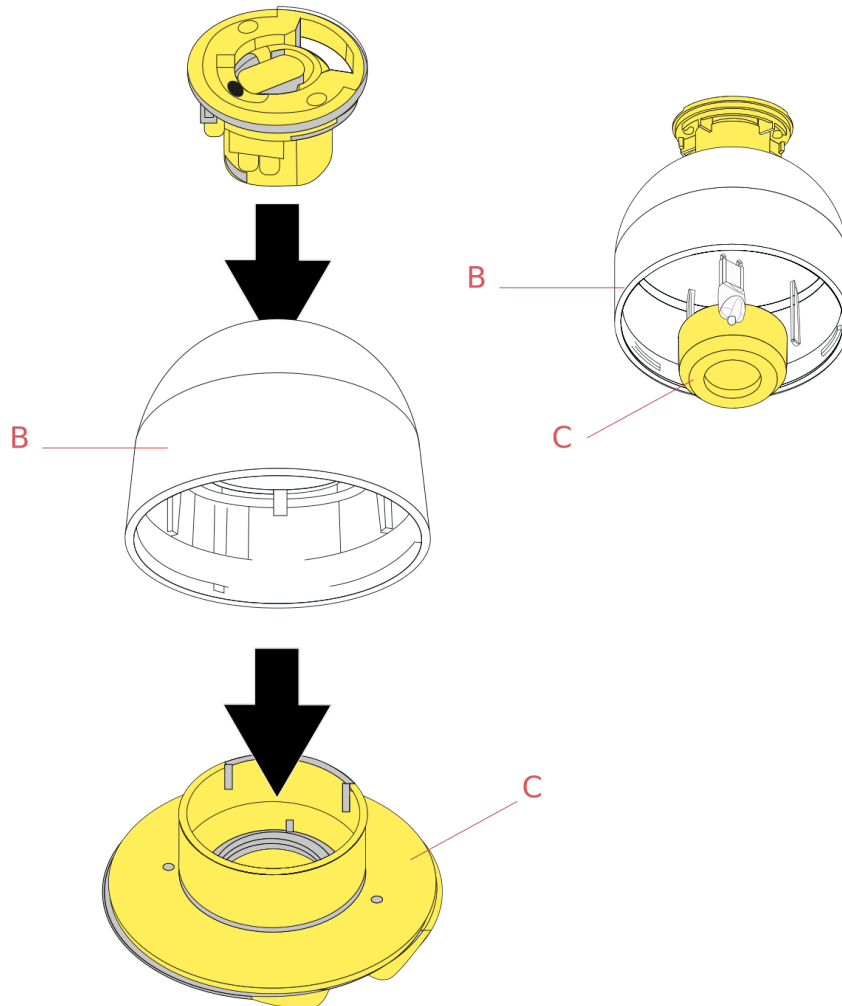


Fig.2

Remove the lamp bulb, unfasten the safety ring (C) and remove the lamp body (B).

WARNING! When installing and whenever acting on the appliance, ensure that the power supply has been switched off.
For the installation of the spare-part, it is necessary to consult a qualified electrician.

RF9550300

New type attachment assembly with g9 lamp holder and safety ring

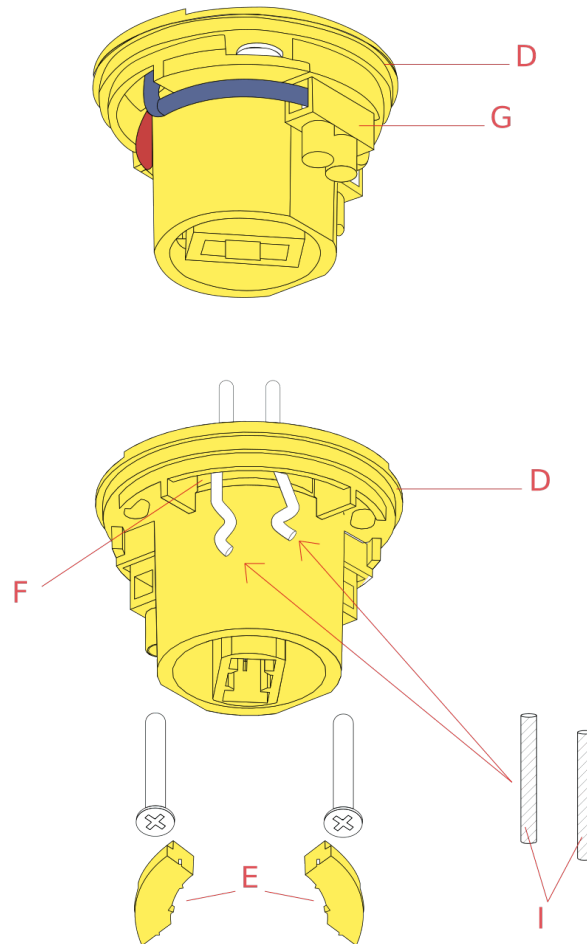


Fig.3

From the attachment (D) disconnect the electrical wires from the terminal box (G).
Disassemble the screw covers (E), then remove the ceiling attachment (D) from the ceiling by unfastening using the screws and ensuring that the electric supply wires slide out of the hole (F).

Assemble now the new spare-part:

Disassemble the screw covers (E) and then fix the ceiling attachment (D) to the ceiling by utilizing the screws and plugs, ensuring that the electric supply wires pass through the hole (F).

REMARK: Select and employ screw anchors and plugs which are suited to the surface where the appliance is to be installed.

Cover the screws with there appropriate covers (E).

Slide the sheaths (I) onto the electric wires.

Connect the electrical wires to the terminal box (G) present on the ceiling attachment (D).

WARNING! When installing and whenever acting on the appliance, ensure that the power supply has been switched off.
For the installation of the spare-part, it is necessary to consult a qualified electrician.

RF9550300

New type attachment assembly with g9 lamp holder and safety ring

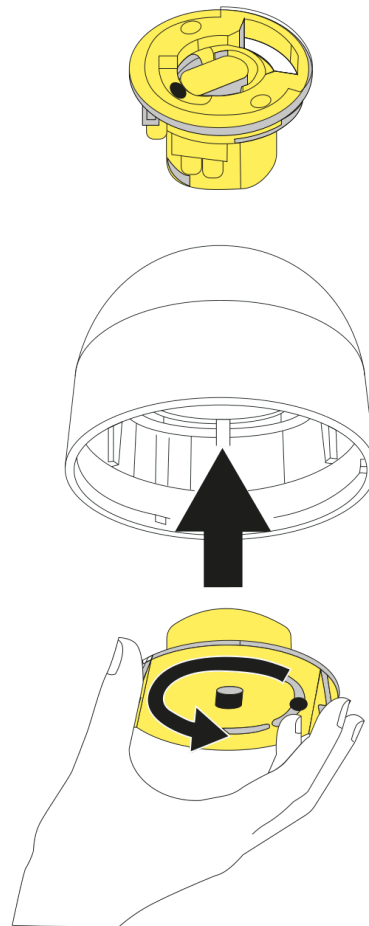


Fig.4

Re-assemble the device by inserting the lamp-bulb, then positioning the lamp body (B) and locking it through the safety ring (C).

WARNING! When installing and whenever acting on the appliance, ensure that the power supply has been switched off.
For the installation of the spare-part, it is necessary to consult a qualified electrician.

RF9550300

New type attachment assembly with g9 lamp holder and safety ring

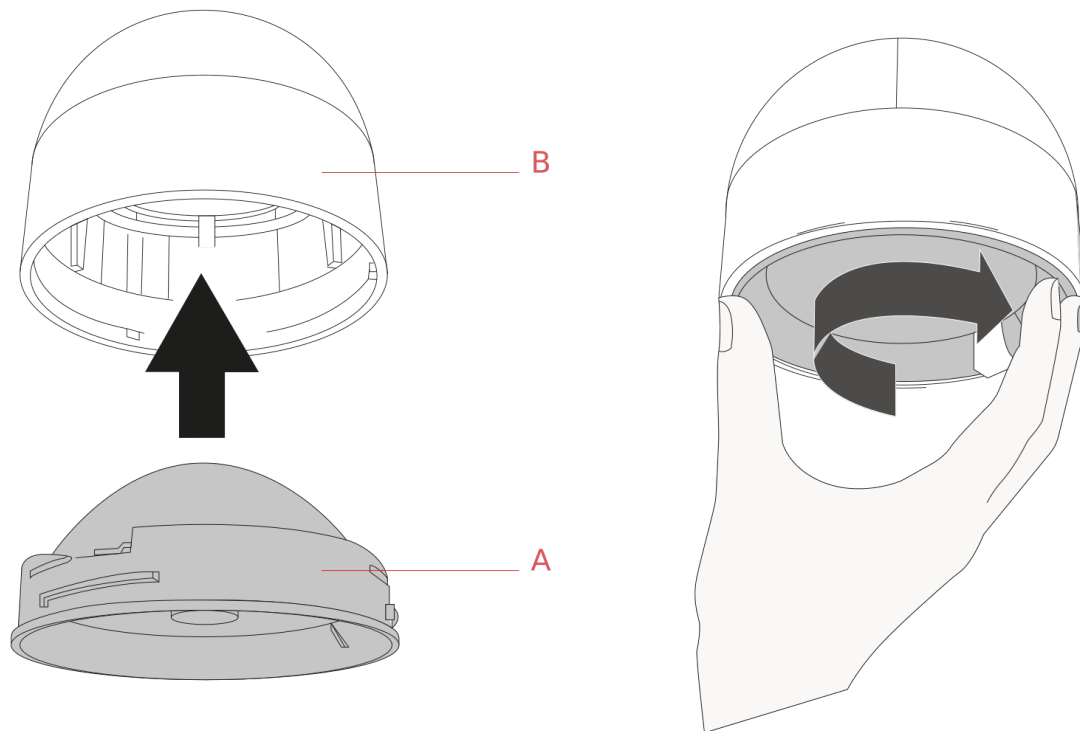


Fig.4

Remove the reflector/diffuser (A) from the lamp body (B) by slight rotating it counterclockwise.

WARNING! When installing and whenever acting on the appliance, ensure that the power supply has been switched off.
For the installation of the spare-part, it is necessary to consult a qualified electrician.