

**RF9550130**

Reflector / ring assembly



WARNING! When installing and whenever acting on the appliance, ensure that the power supply has been switched off.  
For the installation of the spare-part, it is necessary to consult a qualified electrician.

**RF9550130**

Reflector / ring assembly

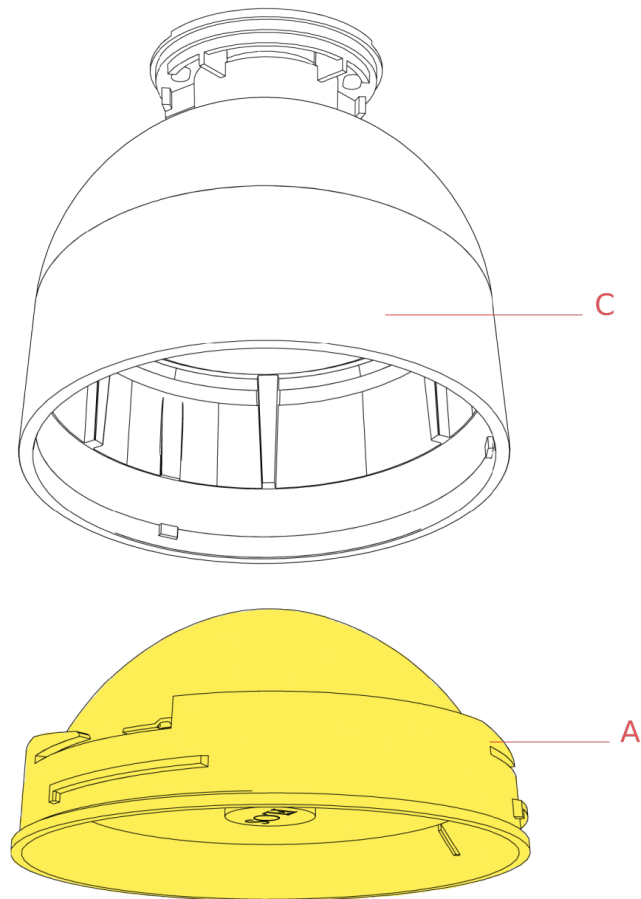


Fig.1

Assemble the reflector/diffuser assembly (A), by hooking it on the lamp body (C) rotating it.

WARNING! When installing and whenever acting on the appliance, ensure that the power supply has been switched off.  
For the installation of the spare-part, it is necessary to consult a qualified electrician.

**RF9550130**

Reflector / ring assembly

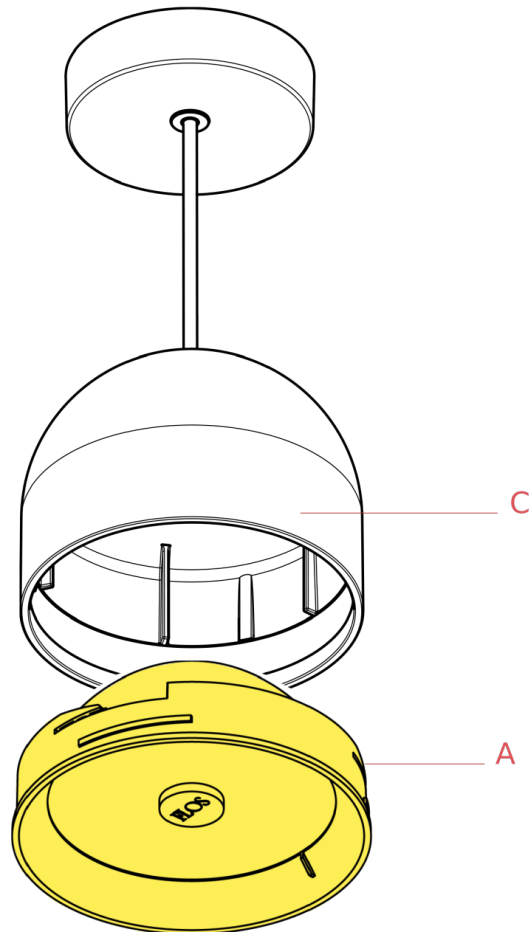


Fig.1

Assemble the reflector/diffuser assembly (A), by hooking it on the lamp body (C) rotating it clockwise.

WARNING! When installing and whenever acting on the appliance, ensure that the power supply has been switched off.  
For the installation of the spare-part, it is necessary to consult a qualified electrician.