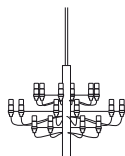
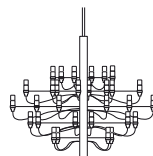


## RL7060800

CEILING ROSE



2097/18



2097/30

WARNING! When installing and whenever acting on the appliance, ensure that the power supply has been switched off.  
For the installation of the spare-part, it is necessary to consult a qualified electrician.

## RL7060800

CEILING ROSE

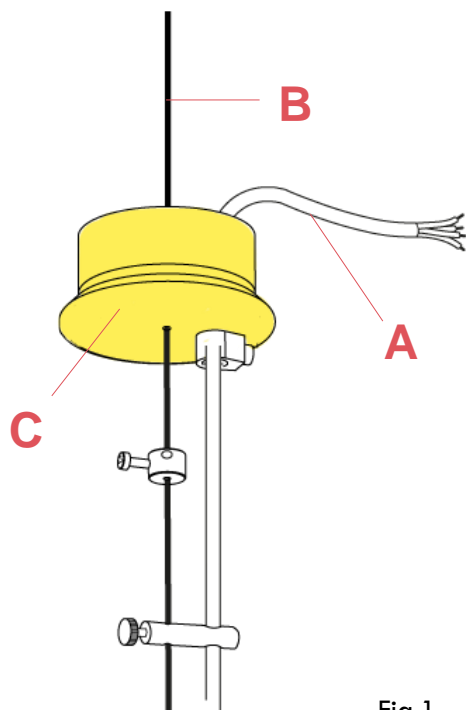


Fig.1

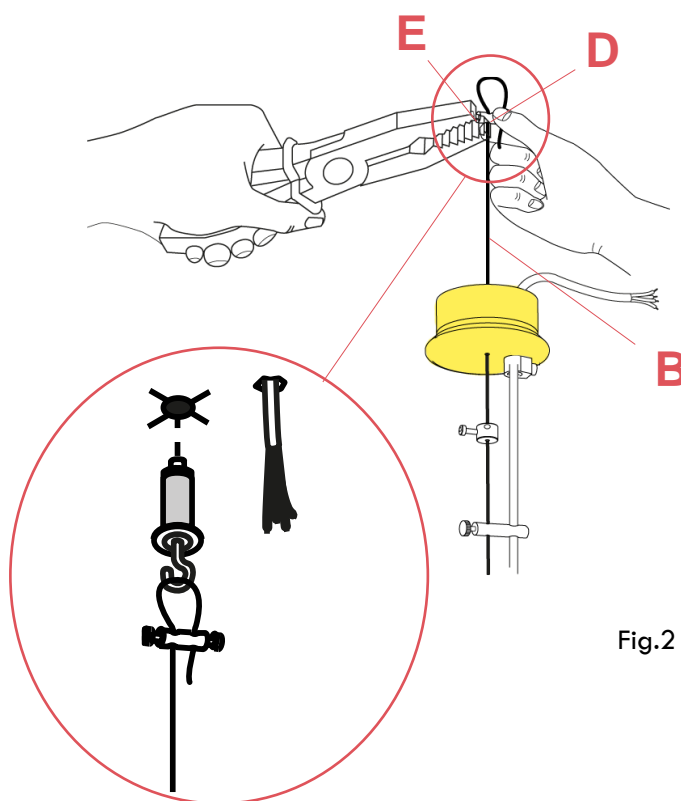


Fig.2

Insert the power supply cable (A) and the steel wire (C) through the ceiling rose (C).  
Adjust and then cut the steel wire (B) to the length desired.  
Insert the steel wire (B) through the clamp (D) so as to form a loop. Tighten screw (E).

**WARNING!** When installing and whenever acting on the appliance, ensure that the power supply has been switched off.  
For the installation of the spare-part, it is necessary to consult a qualified electrician.

## RL7060800

CEILING ROSE

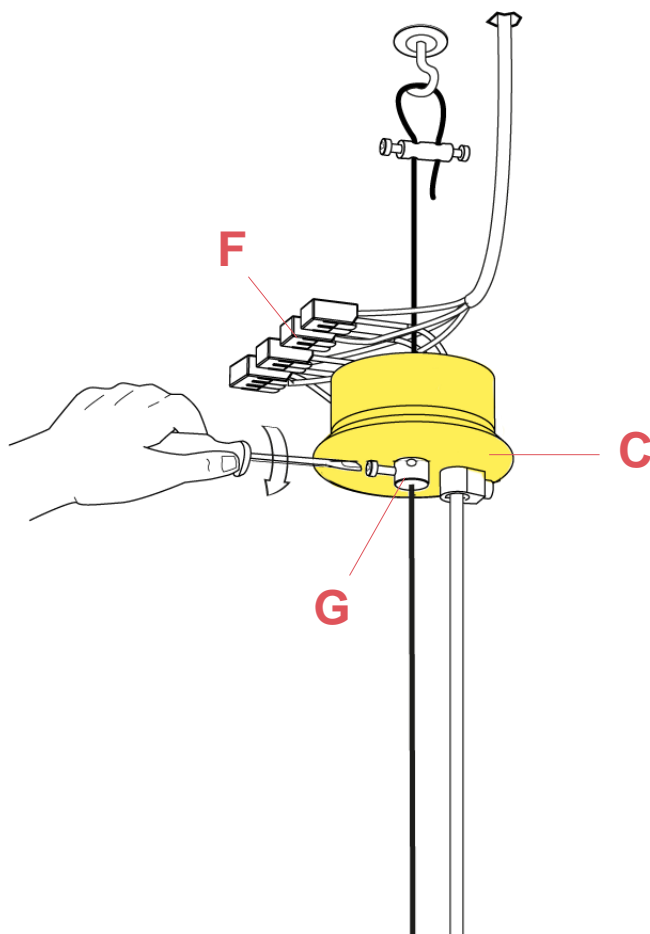


Fig.3

Connect the power supply cord to the terminal block (F).  
The apparatus has been designed for double wall switch:  
Neutral wire = BLUE.

1st phase wire for 1st wall switch = BROWN.  
2nd phase 2nd wall switch = BLACK.

If you choose to utilize only on single wall switch it is necessary to bridge the brown wire with the black wire.  
Push the ceiling rose (C) into position and lock it through the cable clamp (G).

WARNING! When installing and whenever acting on the appliance, ensure that the power supply has been switched off.  
For the installation of the spare-part, it is necessary to consult a qualified electrician.