

**F3005061** Glo-Ball Suspension 1**EN****F3006061**

Glo-ball electrical wiring assembly



WARNING! When installing and whenever acting on the appliance, ensure that the power supply has been switched off. For the installation of the spare-part, it is necessary to consult a qualified electrician.

# F3006061

Glo-ball electrical wiring assembly

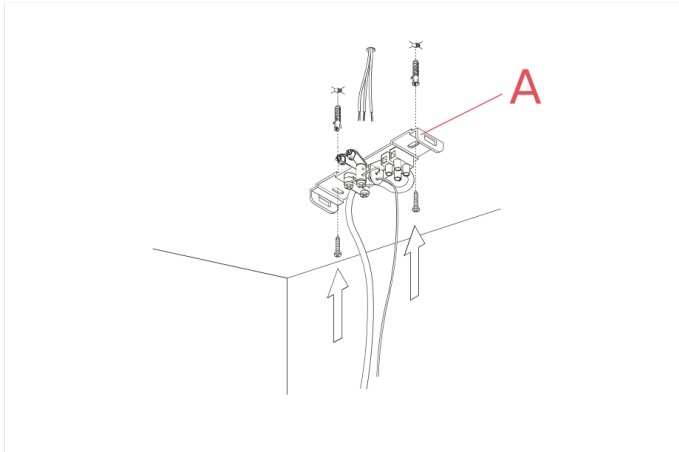


Fig.1

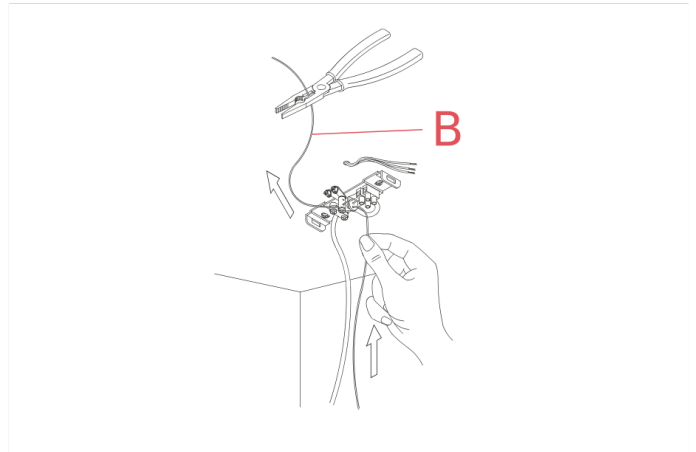


Fig.2

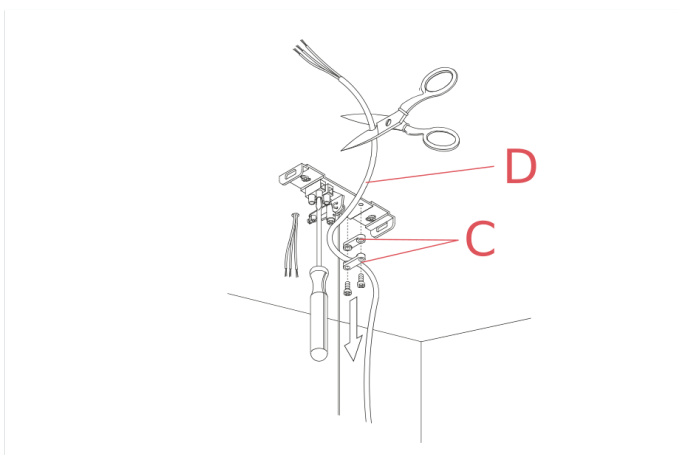


Fig.3

Fix the wall fixture (A) with the appropriate expansion bolts. NOTE: Select and employ screw anchors which are suited to the surface where the appliance is to be installed.(Fig.1)

Cut the steel cable (B) at the desired height.(Fig.2)

Detach the cable-block (C), disconnect the feed cable (D) and cut it at the height desired.(Fig.3)

WARNING! When installing and whenever acting on the appliance, ensure that the power supply has been switched off. For the installation of the spare-part, it is necessary to consult a qualified electrician.

# F3006061

Glo-ball electrical wiring assembly

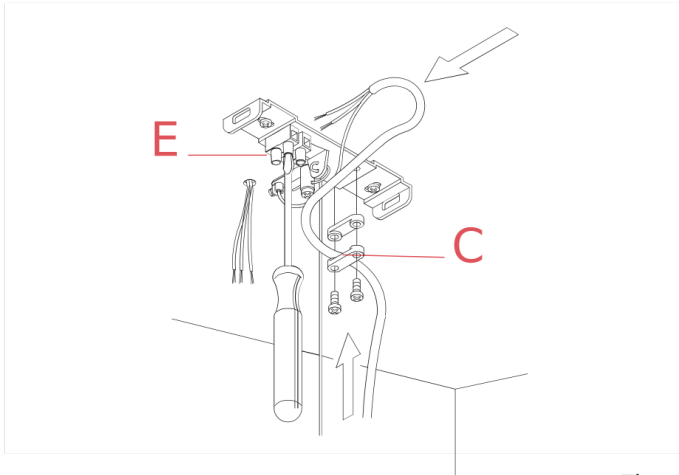


Fig.4

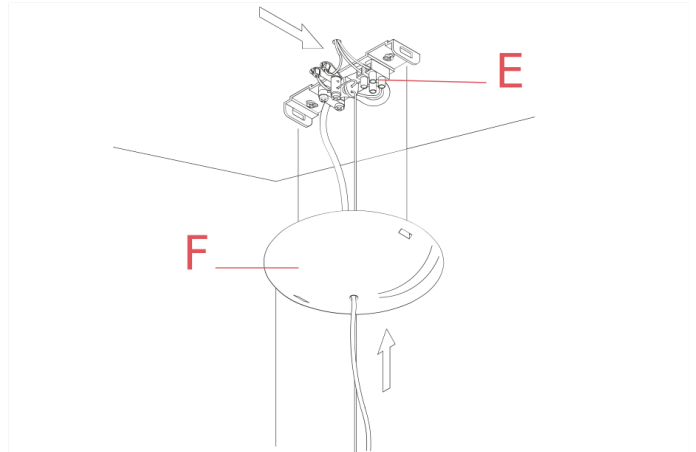


Fig.5

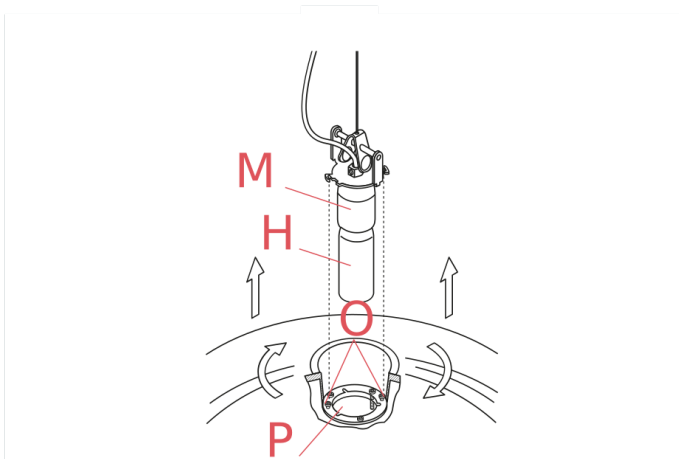


Fig.6

Mount the cable-block (C) and carry out the wiring to the terminal block (E).(Fig.4)  
 Connect the power cable to the terminal block (E) and earthing. Mount the ceiling-rose (F).(Fig.5)  
 Insert the bulb (H) into the bulb socket (M). Insert the bulb socket and bulb into the correct seat (P) of the  
 diffuser, fasten the bulb socket by tightening the screws (Q).(Fig.6)

WARNING! When installing and whenever acting on the appliance, ensure that the power supply has been switched off.  
 For the installation of the spare-part, it is necessary to consult a qualified electrician.

# F3006061

Glo-ball electrical wiring assembly

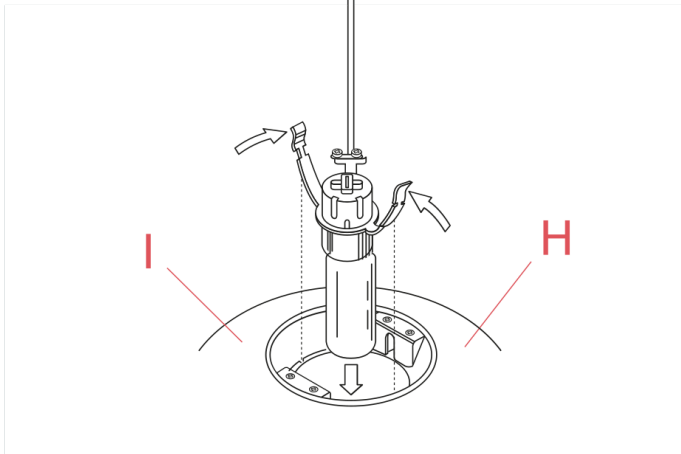


Fig.7

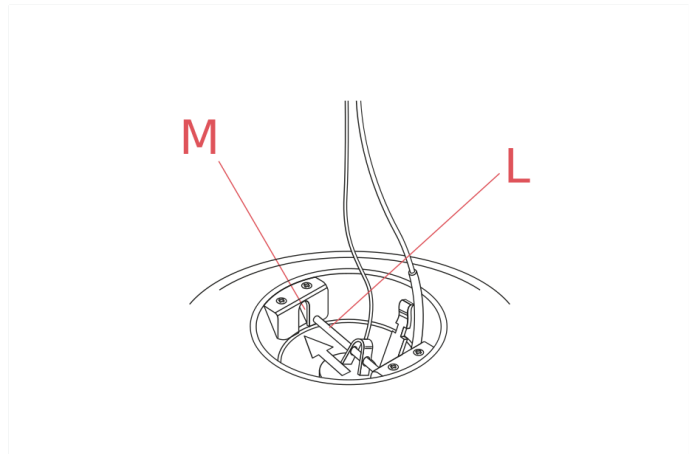


Fig.8

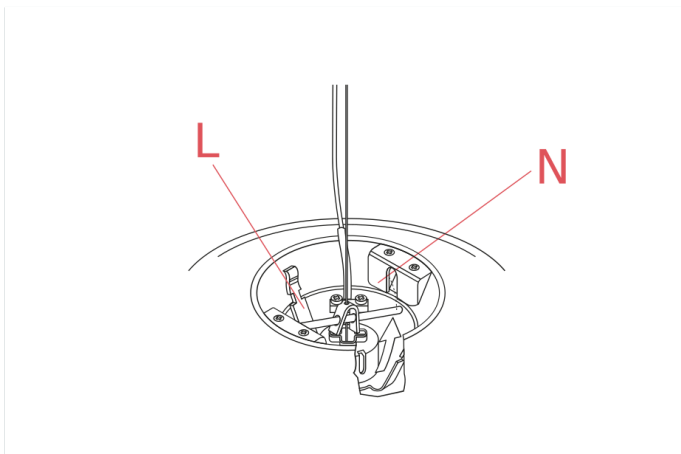


Fig.9

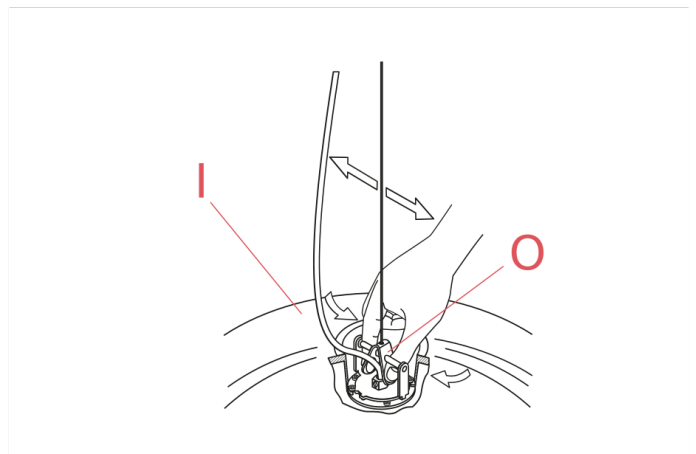


Fig.10

- To balance the diffuser (I), act on the spring (O).(Fig.7)
- Insert the bulb. Insert the bulb-holder in its housing (H) in the diffuser (I).(Fig.8)
- Insert the rod (L) in the housing (M).(Fig.9)
- Hook the rod (L) into the housing (N), up to the blocking "click".(Fig.10)
- To balance the diffuser (I), act on the spring (O).(Fig.7)

WARNING! When installing and whenever acting on the appliance, ensure that the power supply has been switched off.  
For the installation of the spare-part, it is necessary to consult a qualified electrician.