

F3450033

Kelvin edge titanium body



WARNING! When installing and whenever acting on the appliance, ensure that the power supply has been switched off.
For the installation of the spare-part, it is necessary to consult a qualified electrician.

F3450033

Kelvin edge titanium body

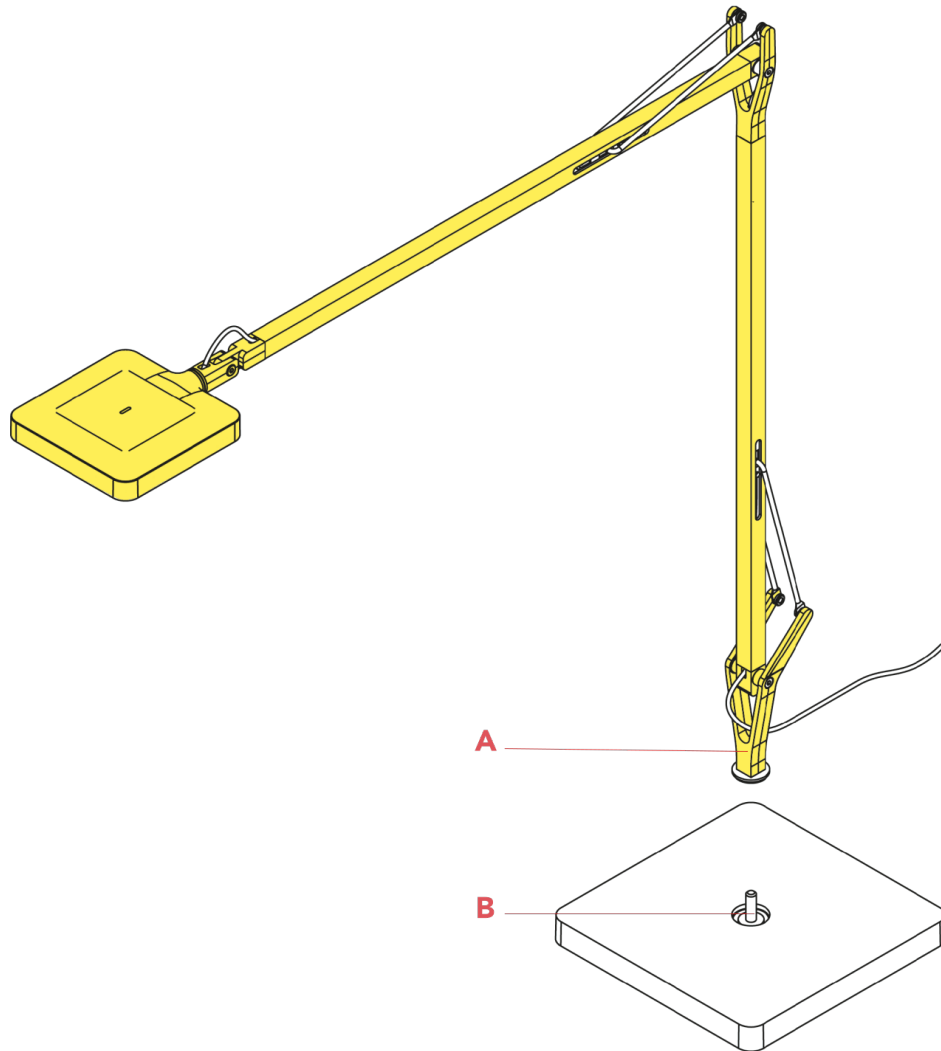


Fig.1

Insert the support (A) of the device into the pin (B) of the base.

WARNING! When installing and whenever acting on the appliance, ensure that the power supply has been switched off. For the installation of the spare-part, it is necessary to consult a qualified electrician.