

F3322009A

Kelvin Led gm white base



WARNING! When installing and whenever acting on the appliance, ensure that the power supply has been switched off.
For the installation of the spare-part, it is necessary to consult a qualified electrician.

F3322009A

Kelvin Led gm white base

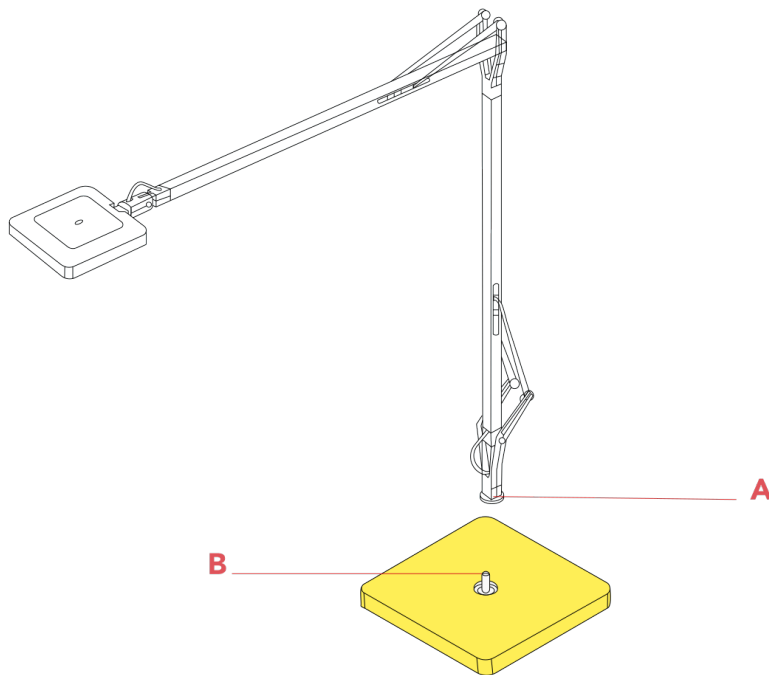


Fig.1

Insert the device support (A) into the pin (B) of the base and fasten the safety pin screw (H) by utilizing an Allen key hex 1,5mm.

REMARK! Be careful whilst tightening the safety pin screw to not scratch the base of the device.

WARNING! When installing and whenever acting on the appliance, ensure that the power supply has been switched off.
For the installation of the spare-part, it is necessary to consult a qualified electrician.