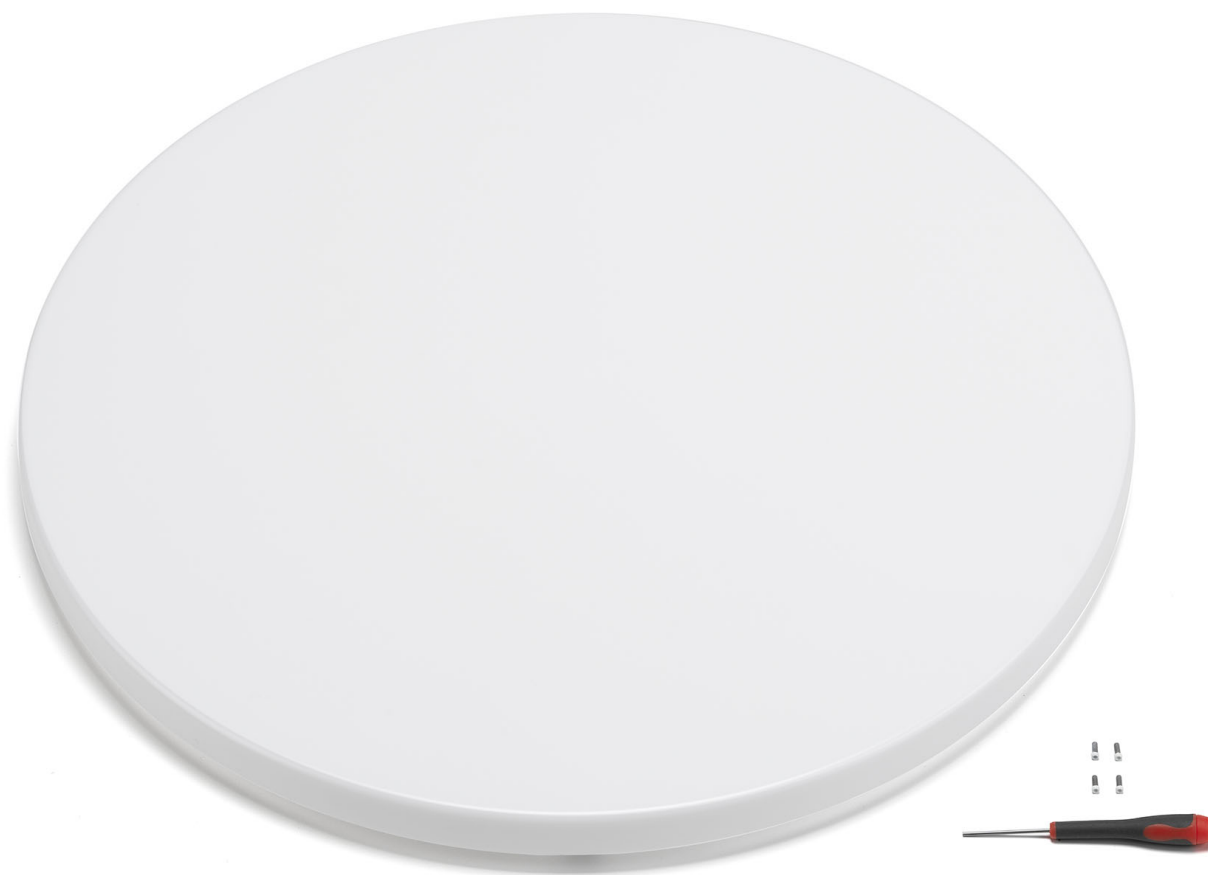


RF1570200

Kit diffuser



WARNING! When installing and whenever acting on the appliance, ensure that the power supply has been switched off.
For the installation of the spare-part, it is necessary to consult a qualified electrician.

RF1570200

Kit diffuser

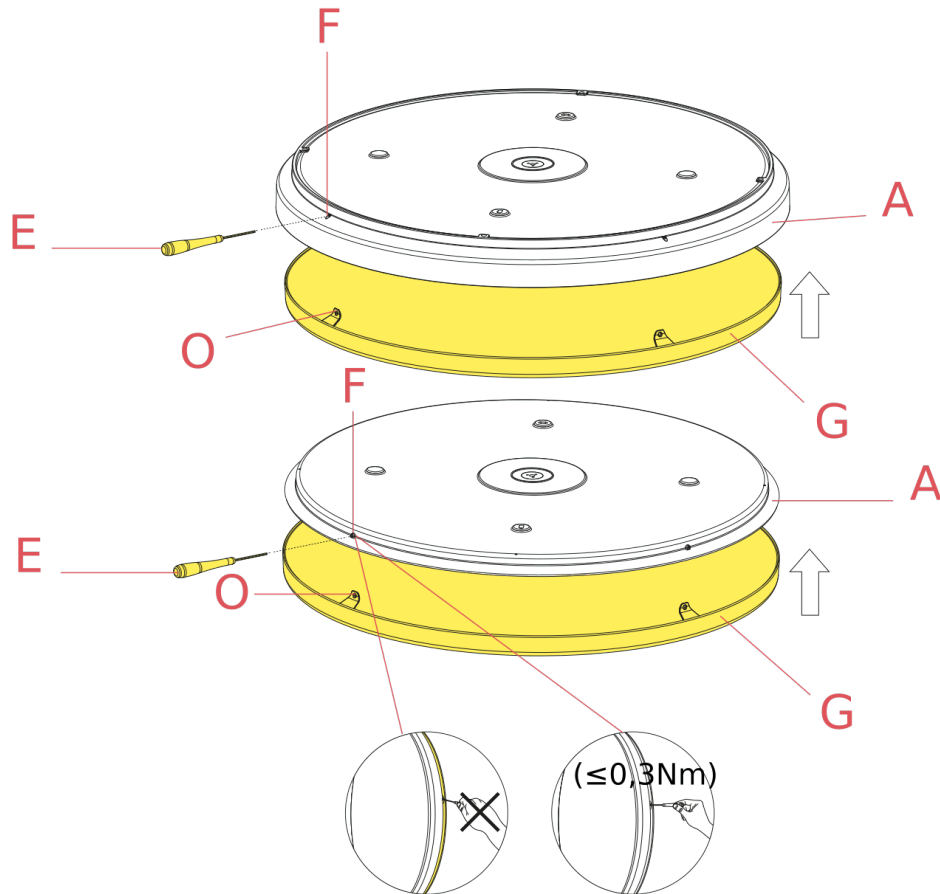


Fig.1

Assemble the diffuser (G) on the body (A) matching the diffuser's four tabs (O) with the holes in the body and re-screwing the four dowel pins (F) with the screwdriver provided.

REMARKS!!! we recommend screwing the dowel pins (F) without forcing ($\leq 0,3\text{Nm}$) them using the screwdriver (E) provided.

WARNING! When installing and whenever acting on the appliance, ensure that the power supply has been switched off. For the installation of the spare-part, it is necessary to consult a qualified electrician.