

CLARA F1570009

EN

## RF1570100

KIT OF N.4 SCREWS & HEXAGONAL SCREWDRIVER



WARNING! When installing and whenever acting on the appliance, ensure that the power supply has been switched off.  
For the installation of the spare-part, it is necessary to consult a qualified electrician.

©2021 Flos - All rights reserved - [www.flos.com](http://www.flos.com)  
Flos reserves the right to introduce any changes to its own models, without prior notice.

## RF1570100

KIT OF N.4 SCREWS & HEXAGONAL SCREWDRIVER

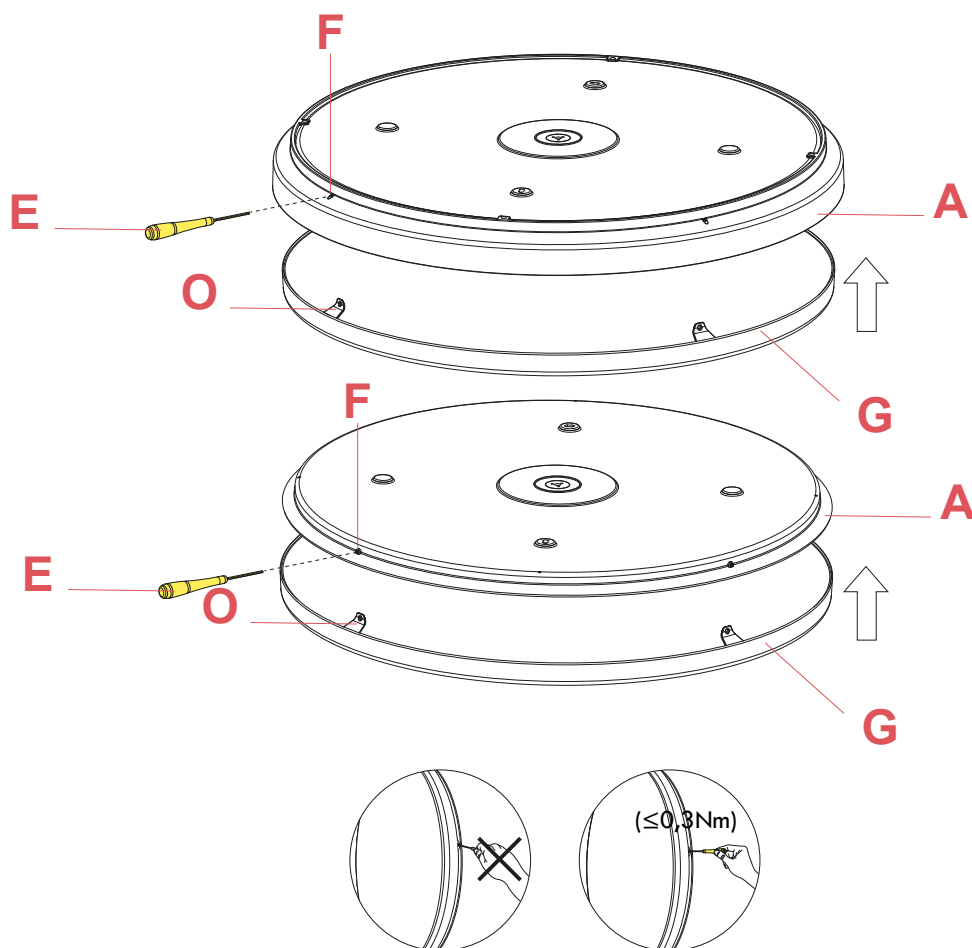


Fig.1

Assemble the diffuser (G) on the body (A) matching the diffuser's four tabs (O) with the holes in the body and re-screwing the four dowel pins (F) with the screwdriver provided.

**REMARKS!!!** we recommend screwing the dowel pins (F) without forcing ( $\leq 0,3\text{Nm}$ ) them using the screwdriver (E) provided.

WARNING! When installing and whenever acting on the appliance, ensure that the power supply has been switched off.  
For the installation of the spare-part, it is necessary to consult a qualified electrician.