

RF2400100

Lamp holder assembly



WARNING! When installing and whenever acting on the appliance, ensure that the power supply has been switched off.
For the installation of the spare-part, it is necessary to consult a qualified electrician.

RF2400100

Lamp holder assembly

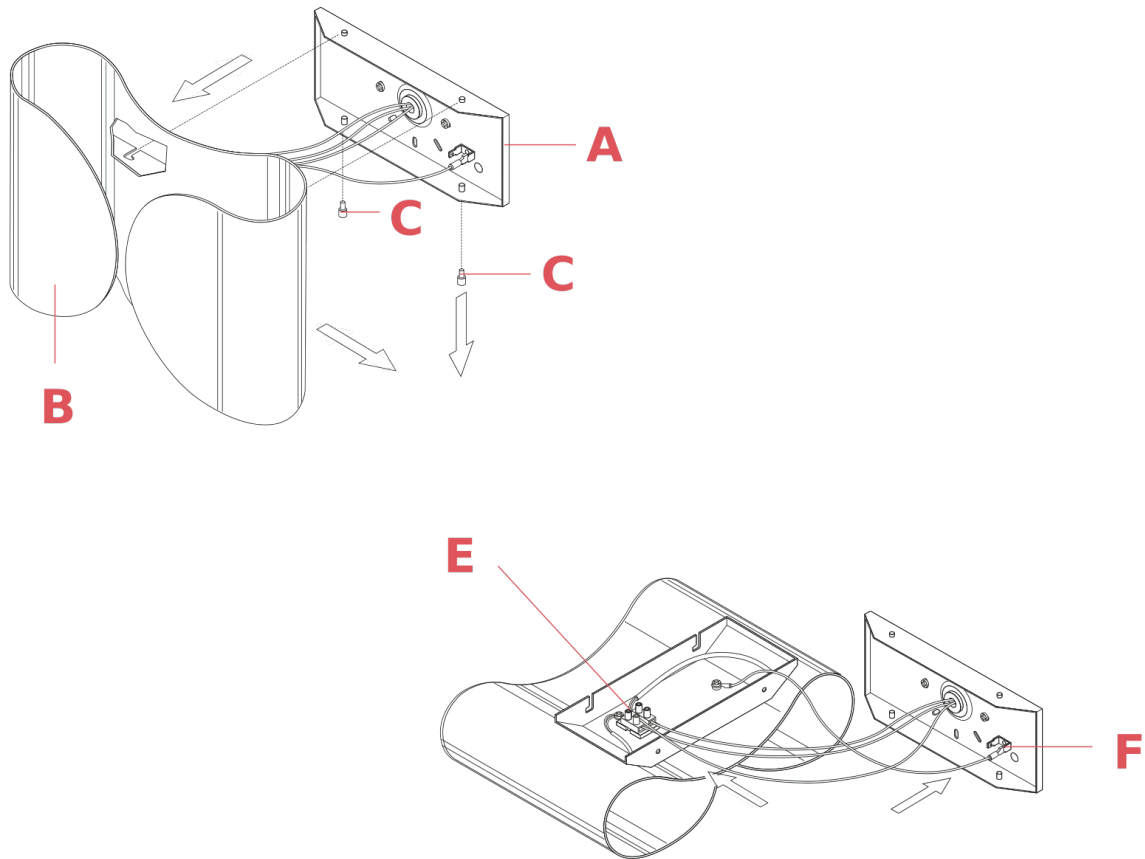


Fig.1

Unfasten the two threaded pins (C) and remove the lamp body structure (B) from the wall attachment (A). Disconnect the main power supply wires (L & N) from the terminal box (E) and remove the earth wire (F) from the wall attachment (A).

WARNING! When installing and whenever acting on the appliance, ensure that the power supply has been switched off. For the installation of the spare-part, it is necessary to consult a qualified electrician.

RF2400100

Lamp holder assembly



Fig.2

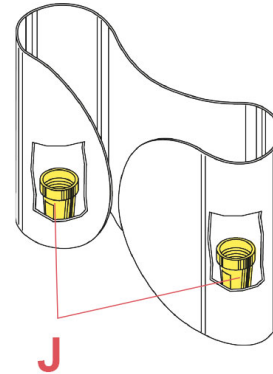


Fig.3

Cut the cable tie (G), disconnect from the terminal box (H) the electrical cable of the lamp holder that needs to be replaced. Unfasten the screw nut (I).

Remove the damaged lamp holder from the lamp structure ensuring that the electrical cable passes through the hole.

Install the new lamp holder (J) by inserting the electrical wire through the hole, keep in position the lamp holder (J) and lock the screw nut (I). Connect the lamp holder electrical cable to the terminal box (H) respecting the polarities and then tighten the cables together with a cable tie (G). Connect the main power supply wires (L & N) and connect the earth wire to the terminal on the wall attachment, locate the lamp structure to the wall attachment and lock it through the two threaded pins.

WARNING! When installing and whenever acting on the appliance, ensure that the power supply has been switched off. For the installation of the spare-part, it is necessary to consult a qualified electrician.