

RF3022000

Glo-Ball Wall white diffuser



WARNING! When installing and whenever acting on the appliance, ensure that the power supply has been switched off.
For the installation of the spare-part, it is necessary to consult a qualified electrician.

RF3022000

Glo-Ball Wall white diffuser

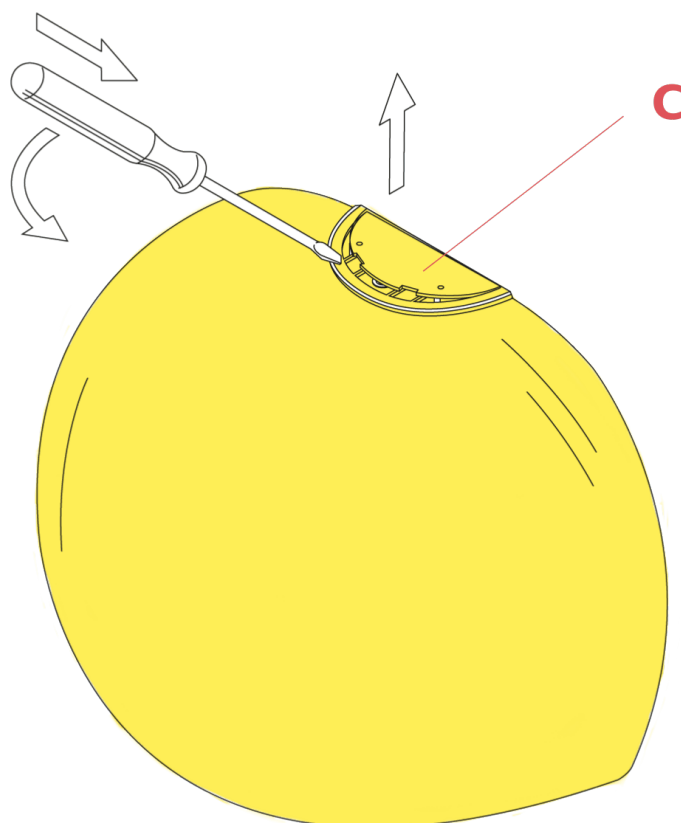


Fig.1

Remove the anti-dust screen (D) by utilizing a flat screw driver.

WARNING! When installing and whenever acting on the appliance, ensure that the power supply has been switched off. For the installation of the spare-part, it is necessary to consult a qualified electrician.

RF3022000

Glo-Ball Wall white diffuser

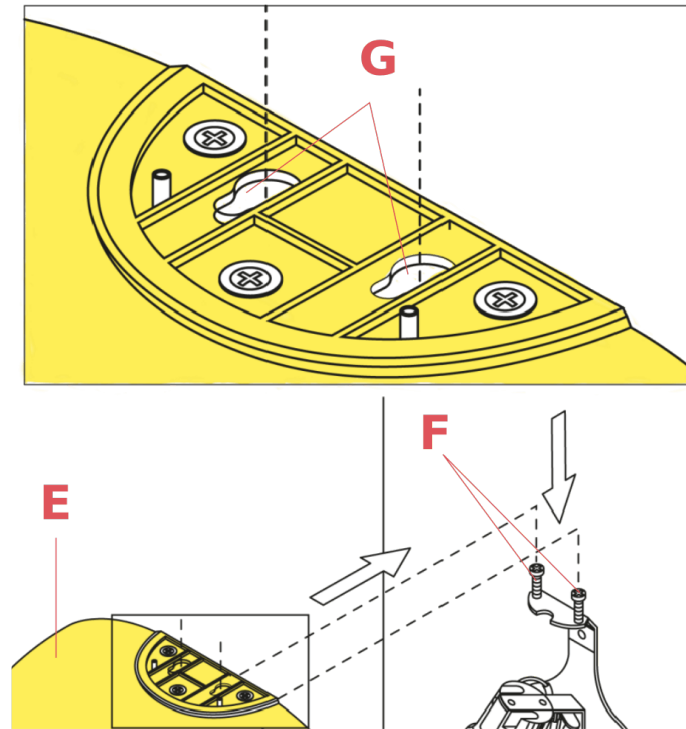


Fig.2

Position the diffuser (E) on the lamp body and insert the screws (F) without fastening yet in the slots (G).

WARNING! When installing and whenever acting on the appliance, ensure that the power supply has been switched off.
For the installation of the spare-part, it is necessary to consult a qualified electrician.

RF3022000

Glo-Ball Wall white diffuser

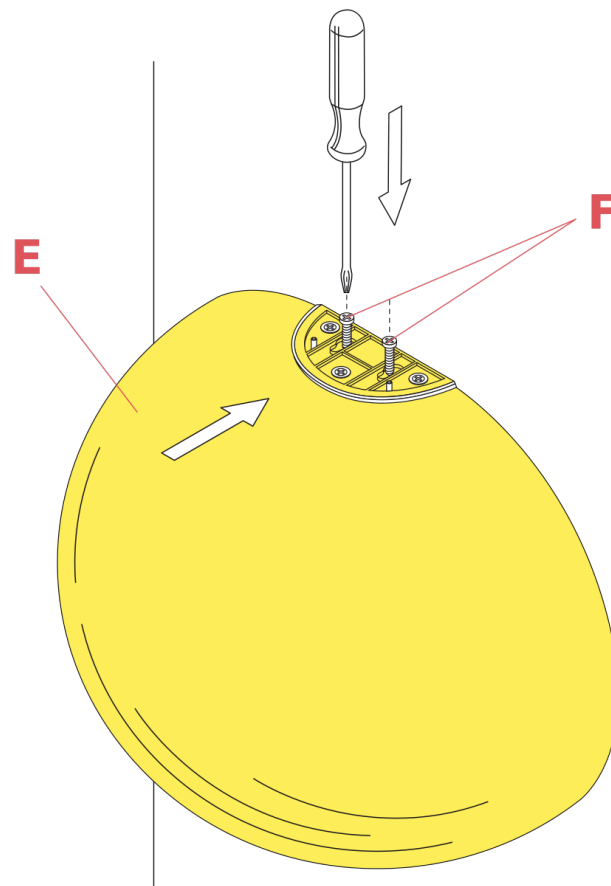


Fig.3

Push the diffuser (E) towards the wall and assemble it by fastening the screws (F).

WARNING! When installing and whenever acting on the appliance, ensure that the power supply has been switched off.
For the installation of the spare-part, it is necessary to consult a qualified electrician.

RF3022000

Glo-Ball Wall white diffuser

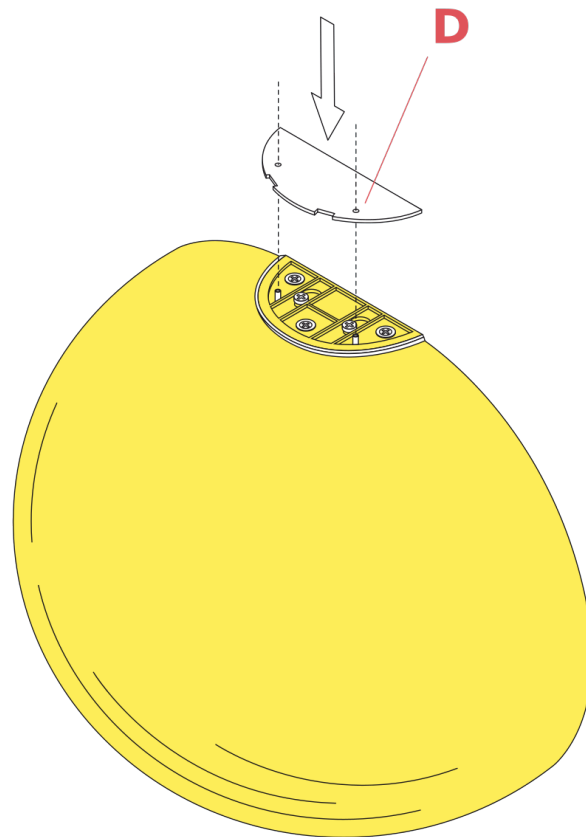


Fig.4

Position the anti-dust screen (D), ensuring to make the two holes correspond with the reference studs.

WARNING! When installing and whenever acting on the appliance, ensure that the power supply has been switched off.
For the installation of the spare-part, it is necessary to consult a qualified electrician.