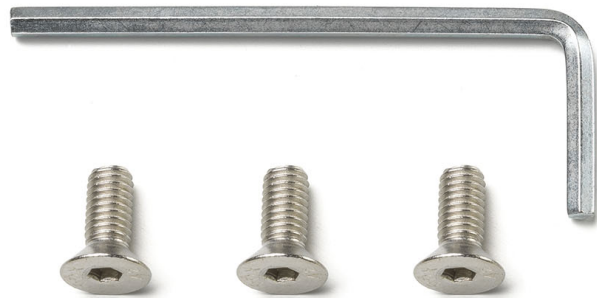


## RF3130100

Screw kit with allen key for base assembly



WARNING! When installing and whenever acting on the appliance, ensure that the power supply has been switched off.  
For the installation of the spare-part, it is necessary to consult a qualified electrician.

**RF3130100**

Screw kit with allen key for base assembly

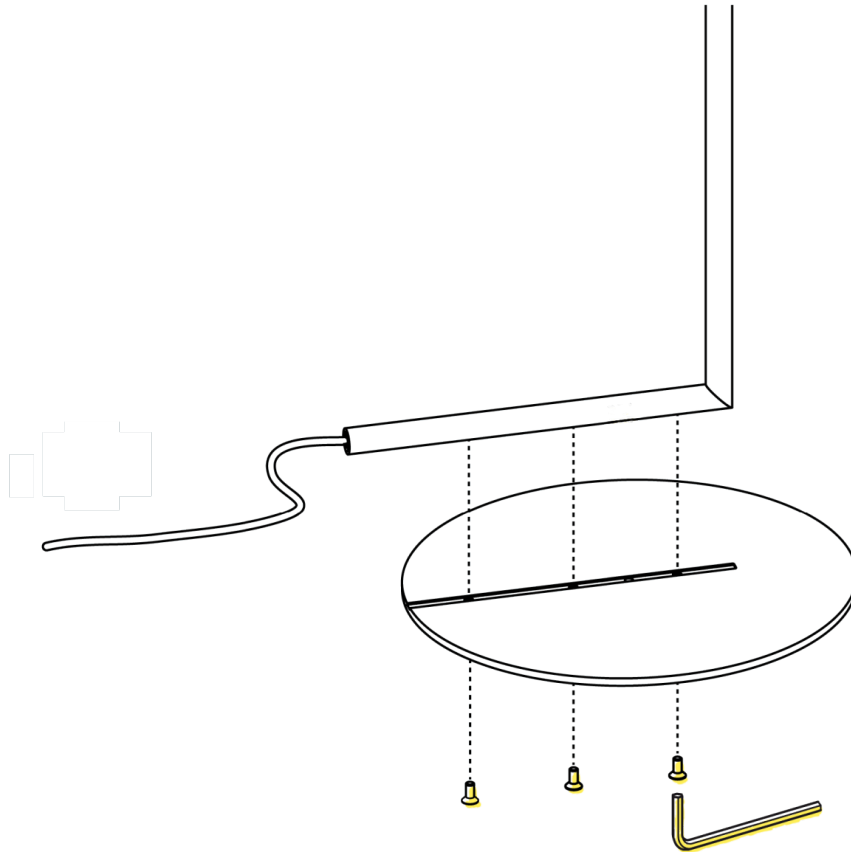


Fig.1

Assemble the base (C) onto the lamp body (B) by fastening the 3 screws (D) with the Allen key supplied with the kit.

WARNING! When installing and whenever acting on the appliance, ensure that the power supply has been switched off.  
For the installation of the spare-part, it is necessary to consult a qualified electrician.