

RF0011100

Driver assembly



WARNING! When installing and whenever acting on the appliance, ensure that the power supply has been switched off.
For the installation of the spare-part, it is necessary to consult a qualified electrician.

RF0011100

Driver assembly

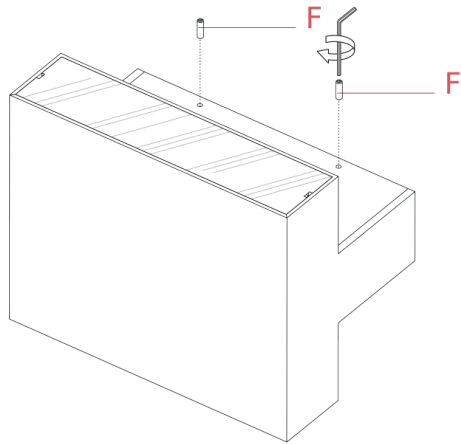


Fig.1

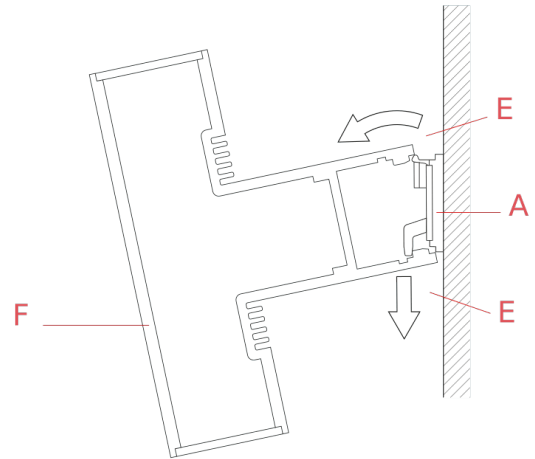


Fig.2

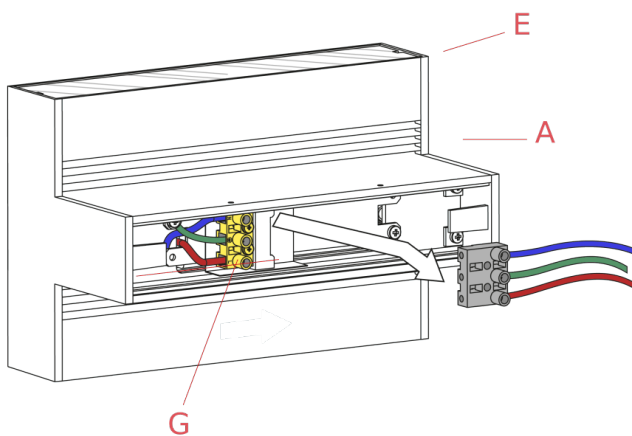


Fig.3

- Unfasten the screws (F) through the Allen key tool (E). (Fig.1)
- Remove the body (D) of the device from the wall attachment (A) by unhooking it from the hooks (E) present on the wall attachment.(Fig.2)
- Disconnect the female connector (C) from the male connector (G). (Fig.3)

WARNING! When installing and whenever acting on the appliance, ensure that the power supply has been switched off. For the installation of the spare-part, it is necessary to consult a qualified electrician.

RF0011100

Driver assembly



Fig.4

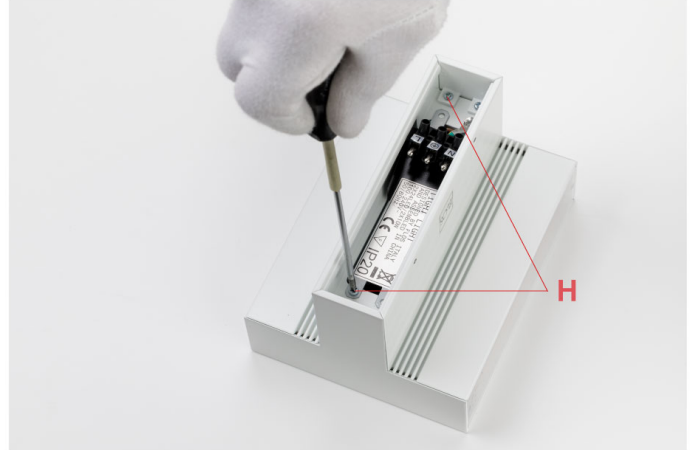


Fig.5

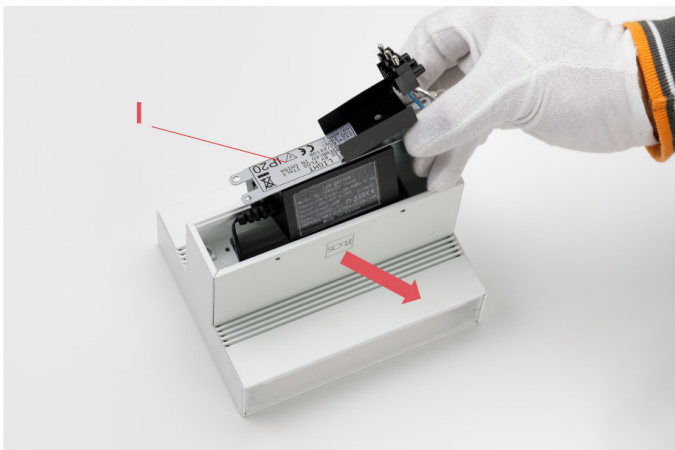


Fig.6

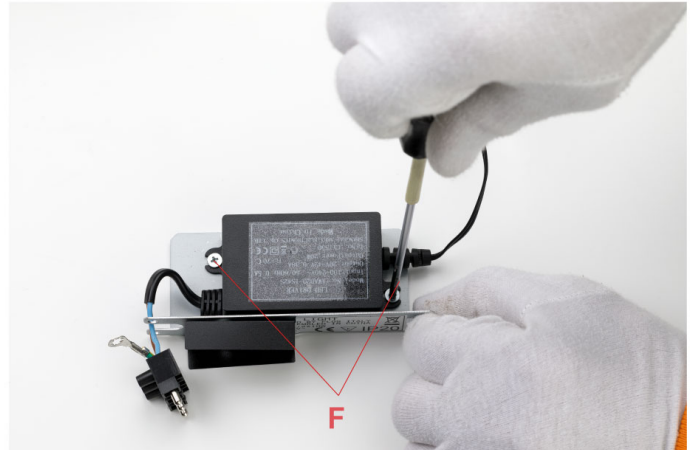


Fig.7

- Unfasten the two connector fixing screws (B). (Fig.4)
- Unfasten the two diagonal screws (H) that fix the driver bracket (I) to the lamp body. (Fig.5)
- Lift up the driver bracket (I) from the lamp body.
- Disconnect the connectors (J) and unfasten the driver screws (K). (Fig.7)

WARNING! When installing and whenever acting on the appliance, ensure that the power supply has been switched off. For the installation of the spare-part, it is necessary to consult a qualified electrician.

RF0011100

Driver assembly

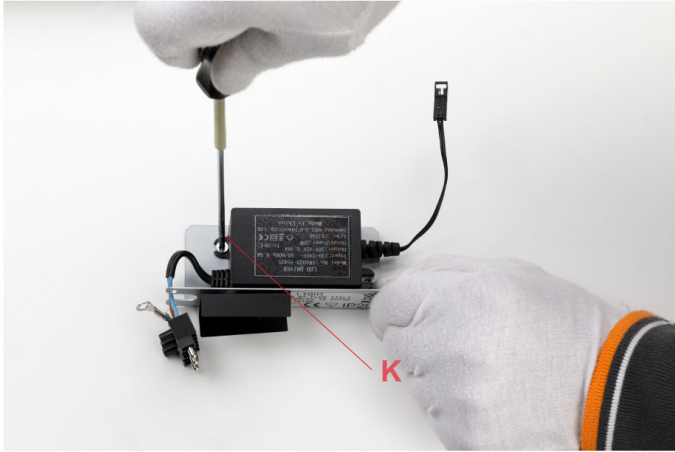


Fig.8



Fig.9

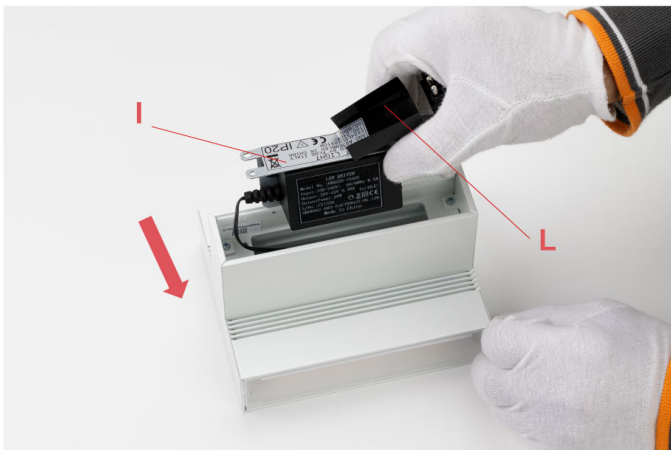


Fig.10

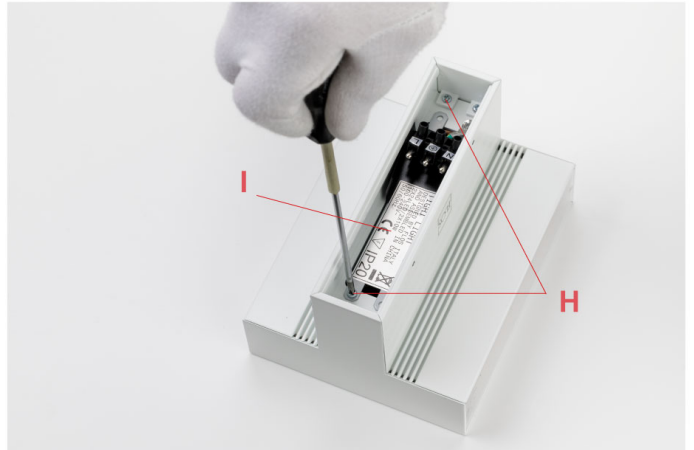


Fig.11

Assemble now the spare part:

Mount the driver on the bracket by fastening the screw (K).(Fig.

Connect the connectors (J).(Fig.

Insert the driver bracket (I) in the lamp body. Ensure that the driver male connector (L) stays out from the lamp body (I). (Fig.10)

Fasten the two diagonal screws (H) that fix the driver bracket (I) to the lamp body.

REMARK:

Before fasten the screw present near the male connector, connect the ground terminal to the screw hole and then fasten the screw. (Fig.11)

Fasten the two screws (B) of the male connector. (Fig.4 page 7)

WARNING! When installing and whenever acting on the appliance, ensure that the power supply has been switched off. For the installation of the spare-part, it is necessary to consult a qualified electrician.

RF0011100

Driver assembly

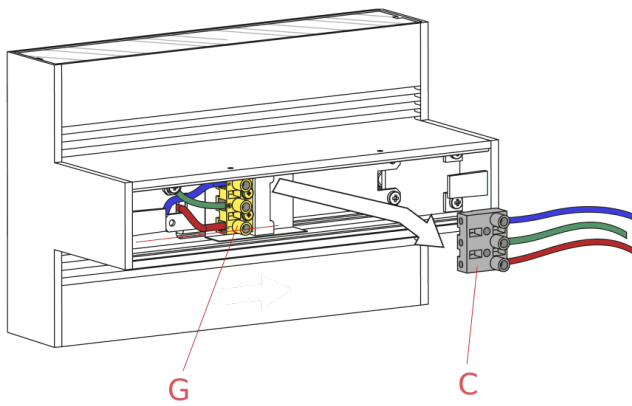


Fig.12

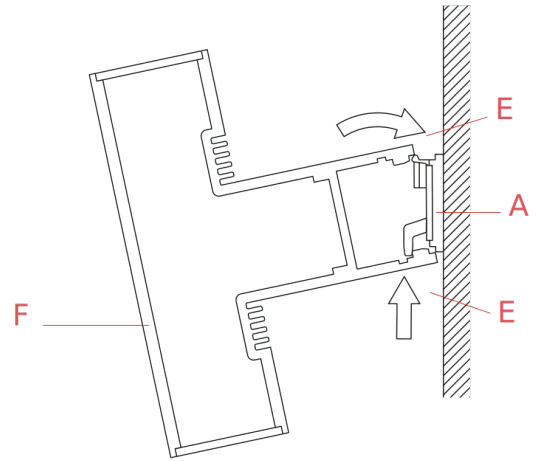


Fig.13

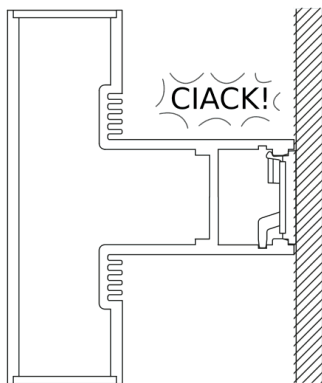


Fig.14

Connect the female connector (C) to the male connector (G). (Fig.12)
Mount the body (D) of the device to the wall attachment (A), ensure that the hooks correspond with there apposite grooves (E) and continue until device is completely hooked-on. (Fig.13-14)

WARNING! When installing and whenever acting on the appliance, ensure that the power supply has been switched off.
For the installation of the spare-part, it is necessary to consult a qualified electrician.