

**RF02179**

Protection grid support



WARNING! When installing and whenever acting on the appliance, ensure that the power supply has been switched off.  
For the installation of the spare-part, it is necessary to consult a qualified electrician.

**RF02179**

Protection grid support

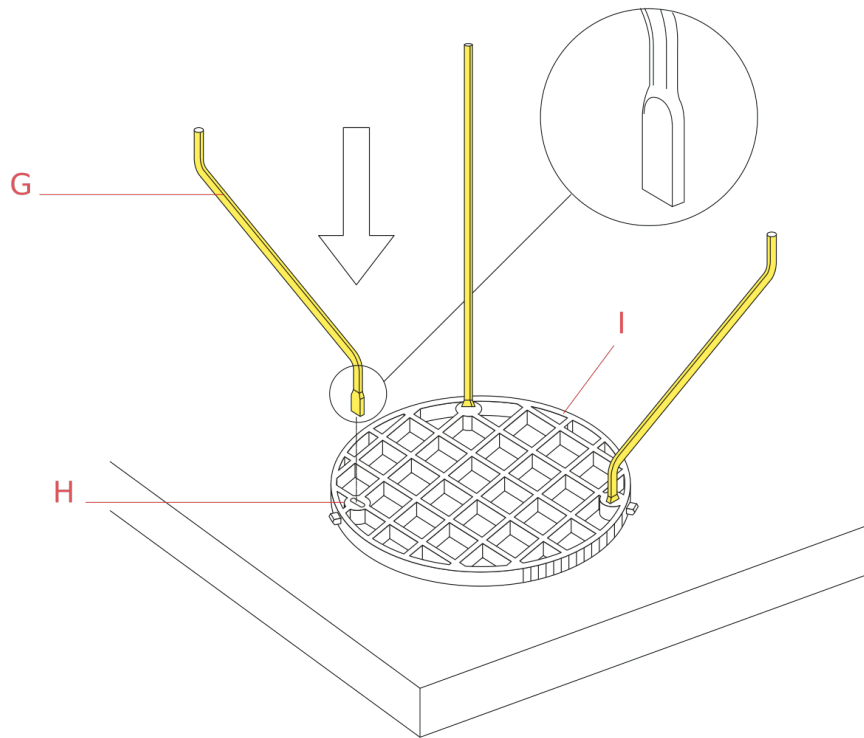


Fig.1

Insert the supports (G) in the housings (H) of the protection grid (I), ensuring that they are inserted inside properly.

WARNING! When installing and whenever acting on the appliance, ensure that the power supply has been switched off.  
For the installation of the spare-part, it is necessary to consult a qualified electrician.

**RF02179**

Protection grid support

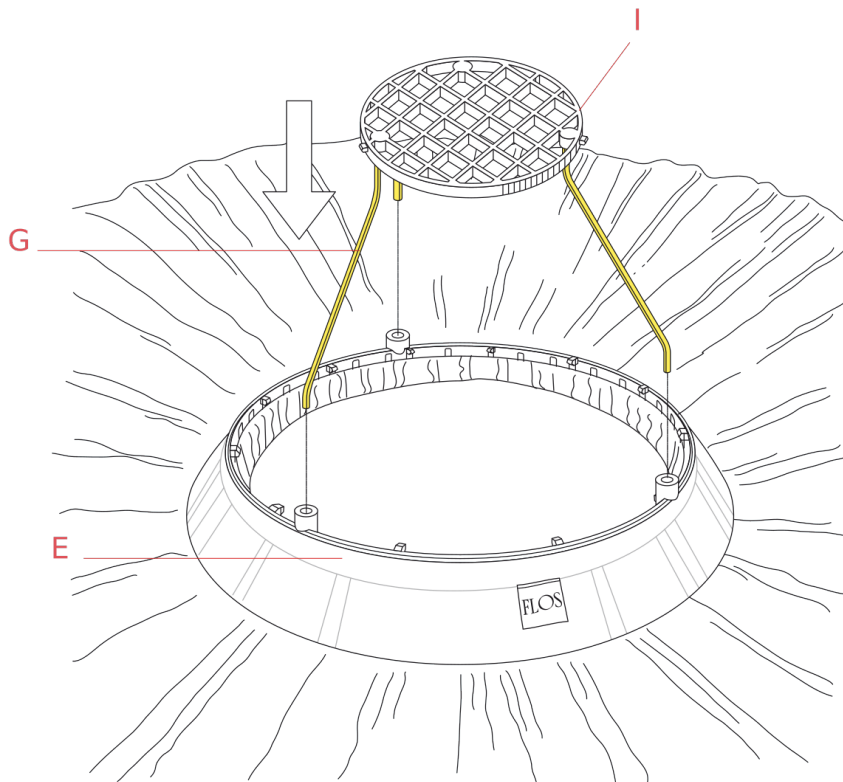


Fig.2

Insert the supports (G) and the protection grid (I) in the transparent ring (E).

WARNING! When installing and whenever acting on the appliance, ensure that the power supply has been switched off.  
For the installation of the spare-part, it is necessary to consult a qualified electrician.

**RF02179**

Protection grid support

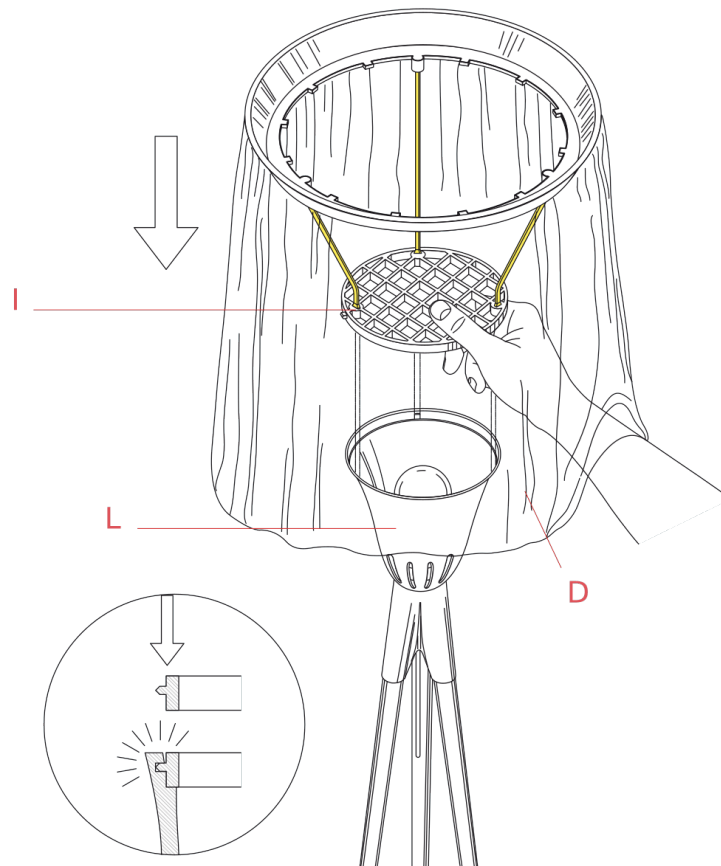


Fig.3

Insert the ring nut (I) and the fabric sheet (D) in the plastic diffuser housings (L) until they click into place as indicated in the figure on the left hand side.

REMARKS! For a correct installation, align the three supports with the plastic diffuser.

WARNING! When installing and whenever acting on the appliance, ensure that the power supply has been switched off.  
For the installation of the spare-part, it is necessary to consult a qualified electrician.