

RF05250

Rosy Angelis cup



WARNING! When installing and whenever acting on the appliance, ensure that the power supply has been switched off.
For the installation of the spare-part, it is necessary to consult a qualified electrician.

RF05250

Rosy Angelis cup

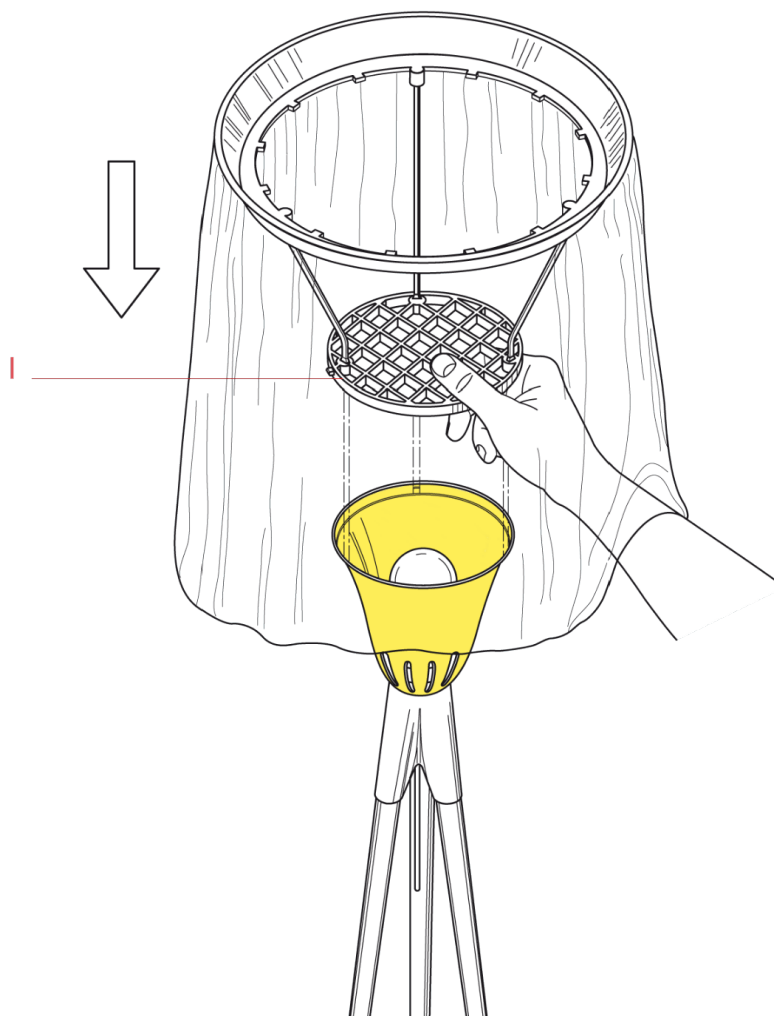


Fig.1

Remove the fabric diffuser and grid (I) from the lamp cup.

WARNING! When installing and whenever acting on the appliance, ensure that the power supply has been switched off.
For the installation of the spare-part, it is necessary to consult a qualified electrician.

RF05250

Rosy Angelis cup

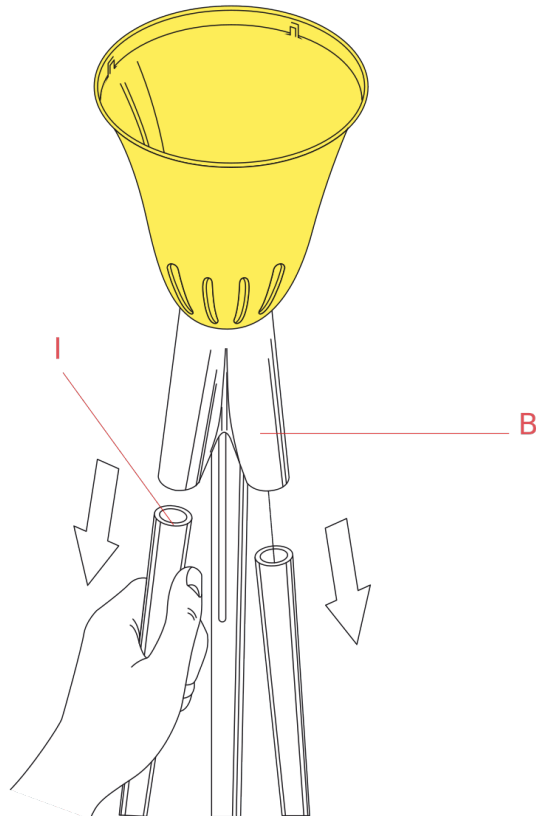


Fig.1

Detach the 2 lamp legs (A) from the lamp body (B).

WARNING! When installing and whenever acting on the appliance, ensure that the power supply has been switched off.
For the installation of the spare-part, it is necessary to consult a qualified electrician.

RF05250

Rosy Angelis cup

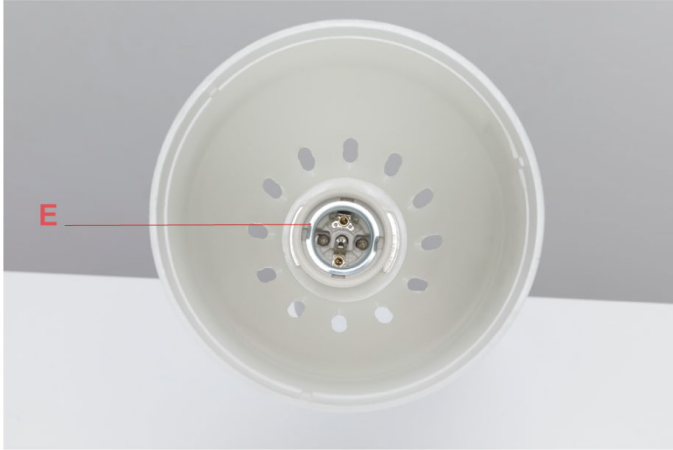


Fig.3

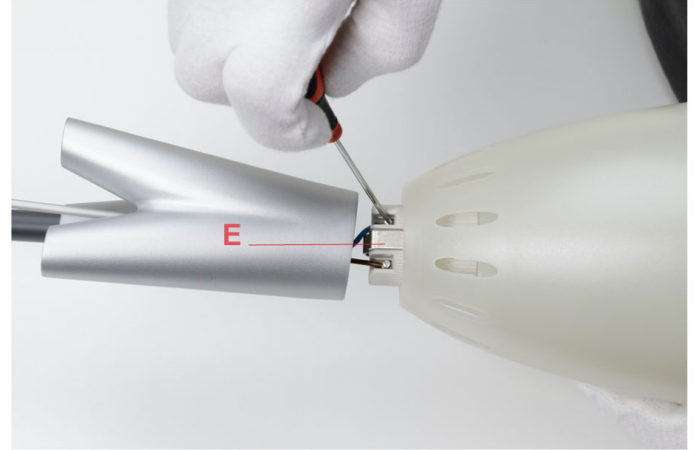


Fig.4

Unfasten the 2 screws (D) inside the lamp holder.
Disconnect the wires Blue (N) and Brown (L) from the lamp holder terminals (E) and remove the lamp holder through the lateral hooks from the damaged lamp cup.

WARNING! When installing and whenever acting on the appliance, ensure that the power supply has been switched off.
For the installation of the spare-part, it is necessary to consult a qualified electrician.

RF05250

Rosy Angelis cup



Fig.5

Assemble now the new spare part:

Install the lamp holder (F) to the new lamp cup (G).

Connect the wires Blue and Brown to the lamp holder terminals (E) by respecting the polarities. (Fig.4 page 28)

Assemble back the lamp holder and cup to the lamp body by fastening the 2 screws (D).

WARNING! When installing and whenever acting on the appliance, ensure that the power supply has been switched off.
For the installation of the spare-part, it is necessary to consult a qualified electrician.

RF05250

Rosy Angelis cup

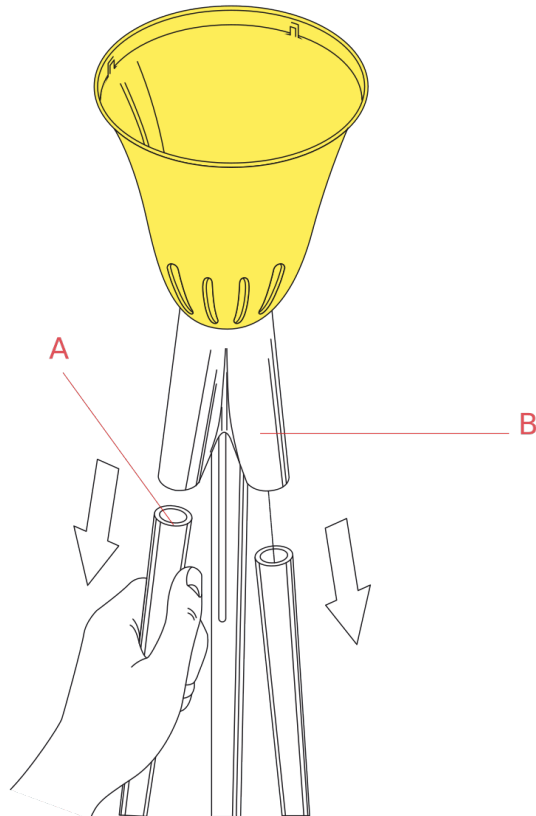


Fig.6

Insert the legs (A) in the body lamp (B).

WARNING! When installing and whenever acting on the appliance, ensure that the power supply has been switched off.
For the installation of the spare-part, it is necessary to consult a qualified electrician.

RF05250

Rosy Angelis cup

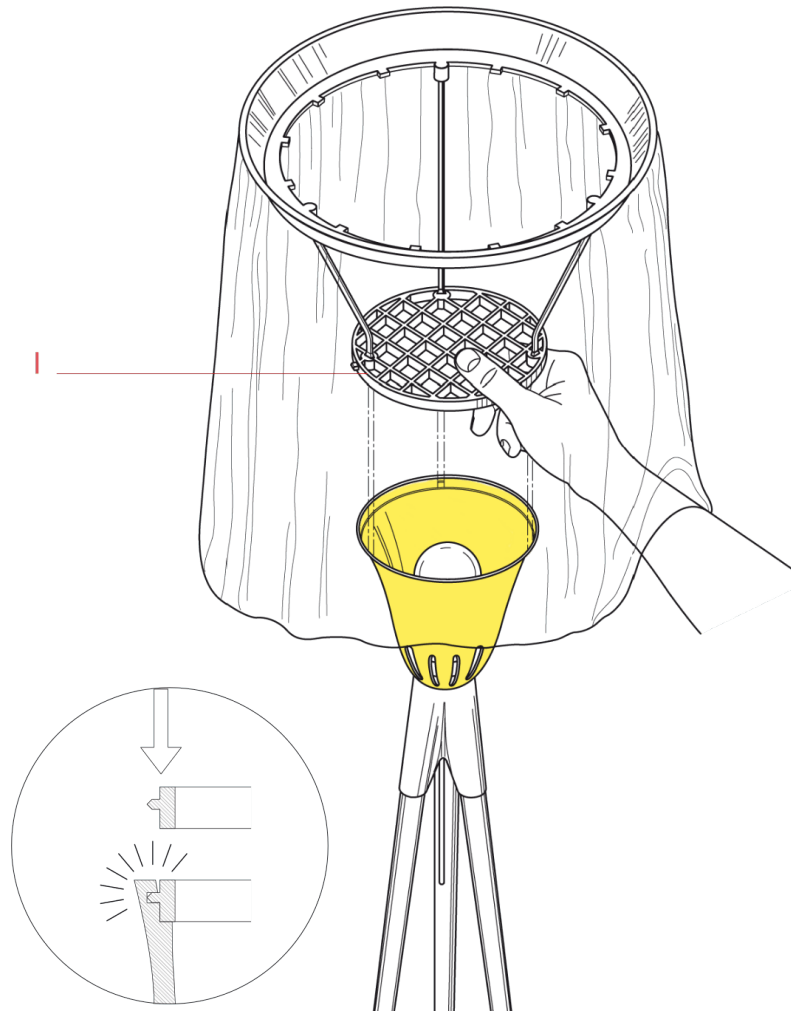


Fig.7

Insert the ring nut (I) and the fabric sheet (D) in the plastic diffuser housings (L) until they click into place as indicated in the figure.

REMARKS! For a correct installation, align the three supports with the plastic internal diffuser.

WARNING! When installing and whenever acting on the appliance, ensure that the power supply has been switched off. For the installation of the spare-part, it is necessary to consult a qualified electrician.