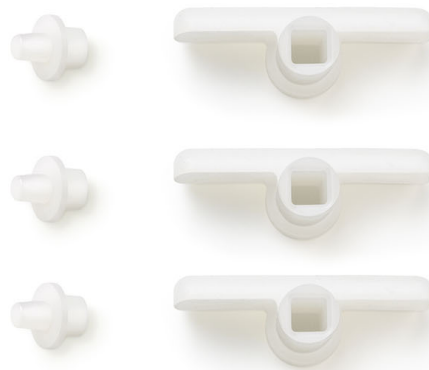


RF6610100

Bag with diffuser supports and o-ring



WARNING! When installing and whenever acting on the appliance, ensure that the power supply has been switched off.
For the installation of the spare-part, it is necessary to consult a qualified electrician.

RF6610100

Bag with diffuser supports and o-ring

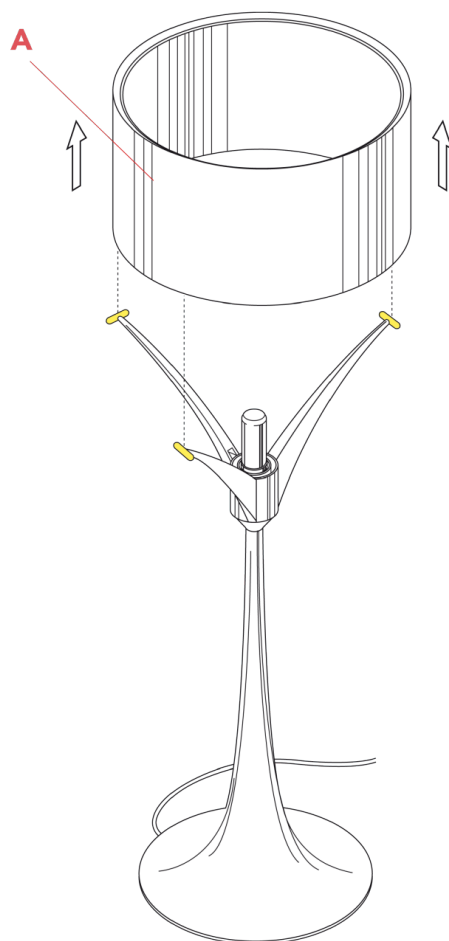


Fig.1

Remove delicately the diffuser (A) from the lamp body.

WARNING! When installing and whenever acting on the appliance, ensure that the power supply has been switched off.
For the installation of the spare-part, it is necessary to consult a qualified electrician.

RF6610100

Bag with diffuser supports and o-ring

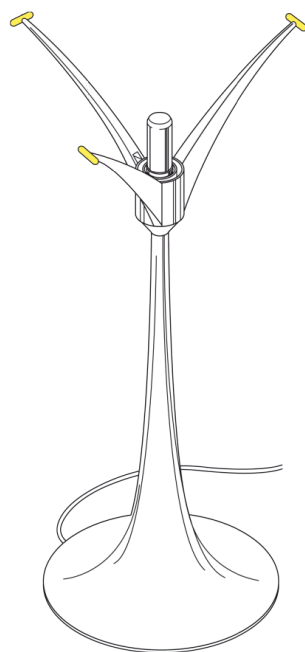


Fig.2

Collocate and insert the white rubber diffuser supports on the tips of the lamp spokes.

WARNING! When installing and whenever acting on the appliance, ensure that the power supply has been switched off.
For the installation of the spare-part, it is necessary to consult a qualified electrician.

RF6610100

Bag with diffuser supports and o-ring

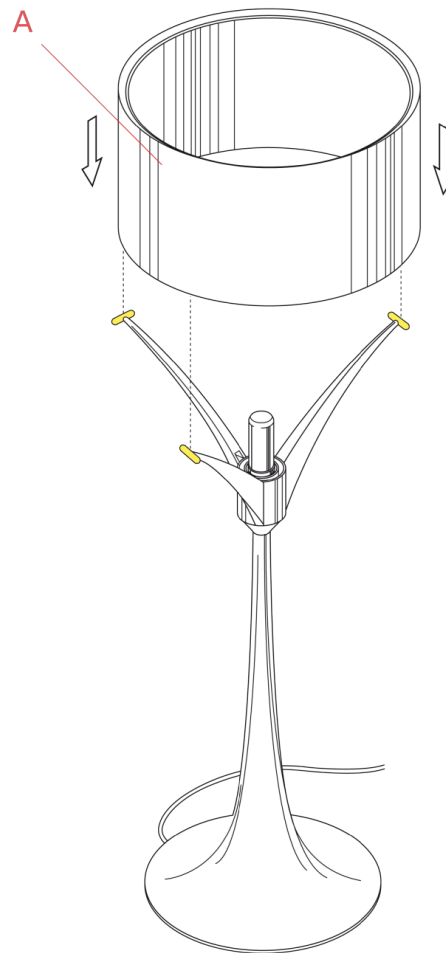


Fig.3

Place the diffuser (A) on the lamp body.

WARNING! When installing and whenever acting on the appliance, ensure that the power supply has been switched off.
For the installation of the spare-part, it is necessary to consult a qualified electrician.

RF6610100

Bag with diffuser supports and o-ring

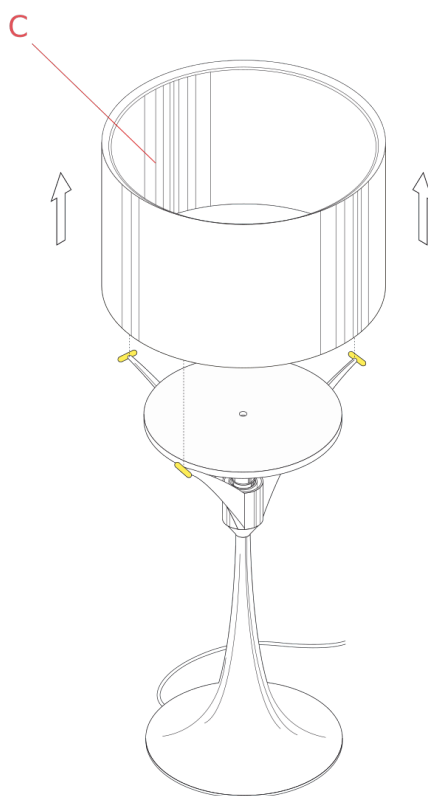


Fig.1

Remove delicately the diffuser (C) from the lamp body.

WARNING! When installing and whenever acting on the appliance, ensure that the power supply has been switched off.
For the installation of the spare-part, it is necessary to consult a qualified electrician.

RF6610100

Bag with diffuser supports and o-ring

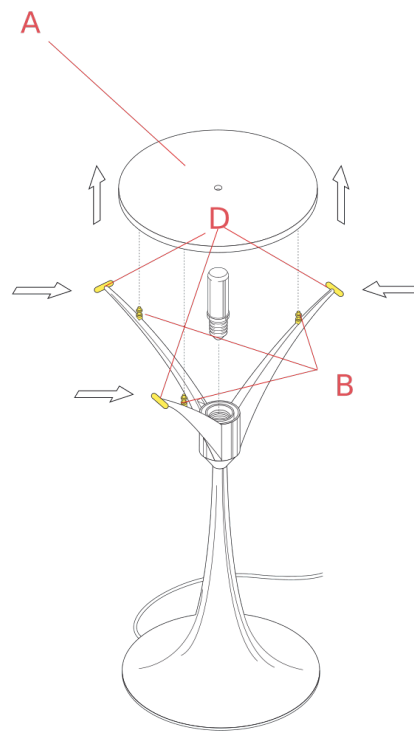


Fig.2

Remove the anti-glare glass plate (A) from the lamp body, insert the white rubber diffuser supports (D) on the tips of the lamp spokes and insert the antiglare white rubber pins (B).

Place the anti-glare glass (A) on the supports, ensuring that the pins correspond with the seats present on the anti-glare glass.

Place the diffuser (C) on the lamp body.(Fig.1 page 4)

WARNING! When installing and whenever acting on the appliance, ensure that the power supply has been switched off.
For the installation of the spare-part, it is necessary to consult a qualified electrician.

RF6610100

Bag with diffuser supports and o-ring

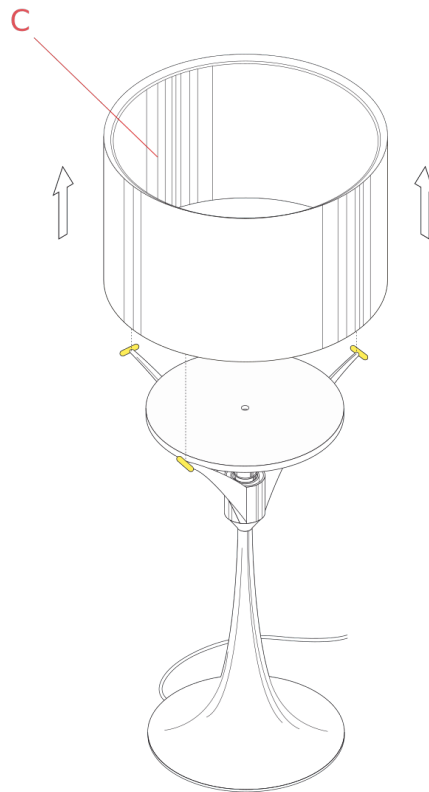


Fig.1

Remove delicately the diffuser (C) from the lamp body.

WARNING! When installing and whenever acting on the appliance, ensure that the power supply has been switched off.
For the installation of the spare-part, it is necessary to consult a qualified electrician.

RF6610100

Bag with diffuser supports and o-ring

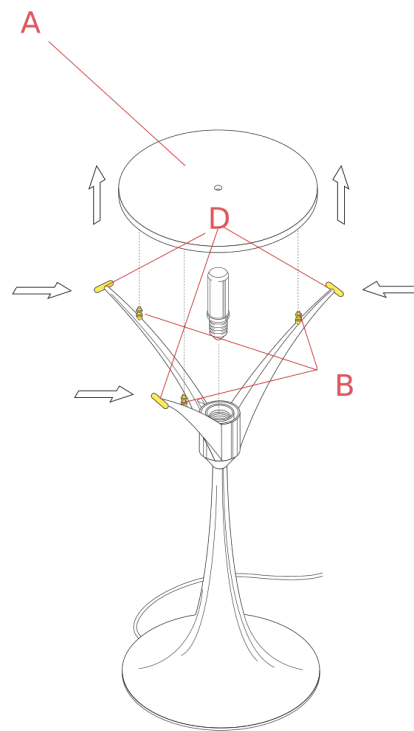


Fig.2

Remove the anti-glare glass plate (A) from the lamp body, insert the white rubber diffuser supports (D) on the tips of the lamp spokes and insert the antiglare white rubber pins (B).

Place the anti-glare glass (A) on the supports, ensuring that the pins correspond with the seats present on the anti-glare glass.

Place the diffuser (C) on the lamp body.(Fig.1 page 4)

WARNING! When installing and whenever acting on the appliance, ensure that the power supply has been switched off.
For the installation of the spare-part, it is necessary to consult a qualified electrician.