

RF6372200

Floor support bag kit



WARNING! When installing and whenever acting on the appliance, ensure that the power supply has been switched off.
For the installation of the spare-part, it is necessary to consult a qualified electrician.

RF6372200

Floor support bag kit

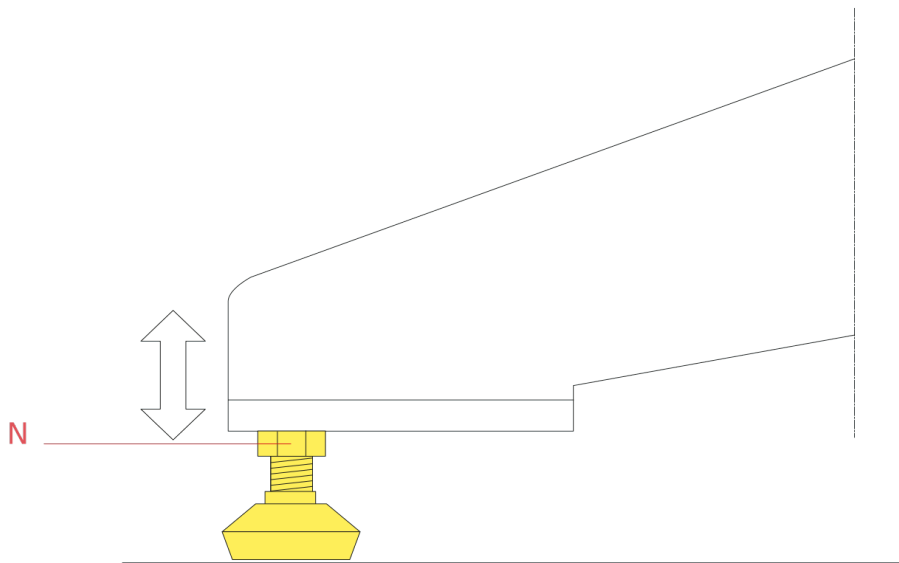


Fig.1

Fasten and unfasten the floor support until you get the right levelness of the lamp base. Once adjusted, lock the supports by tightening the locking nut (N).

WARNING! When installing and whenever acting on the appliance, ensure that the power supply has been switched off. For the installation of the spare-part, it is necessary to consult a qualified electrician.

RF6372200

Floor support bag kit

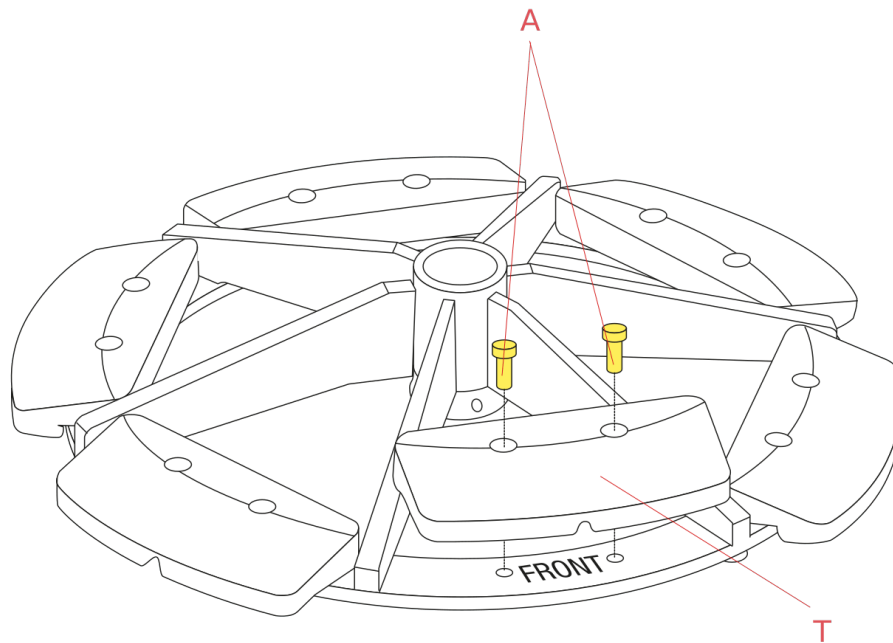


Fig.2

Assemble the counterweights (T) by fastening bolts (A).

WARNING! When installing and whenever acting on the appliance, ensure that the power supply has been switched off.
For the installation of the spare-part, it is necessary to consult a qualified electrician.