

shot 4 W + 15 W

instructions for use

For solid ground

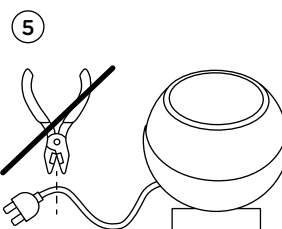
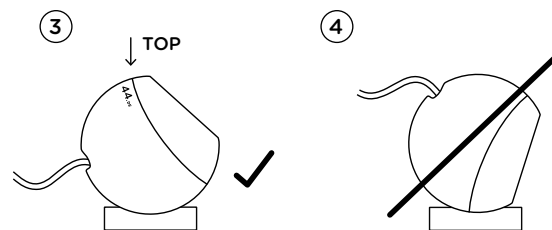
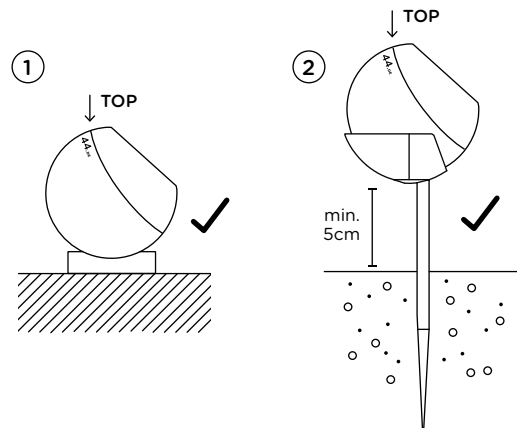
1. For **solid grounds** place the ring of the luminaire on the floor and look after a secure stand and that the ring is flush with FFL (finished floor level) – see picture 1.

For **unpaved beds and greens** the shot tee has to be used according to the instructions for use shot tee – see picture 2.

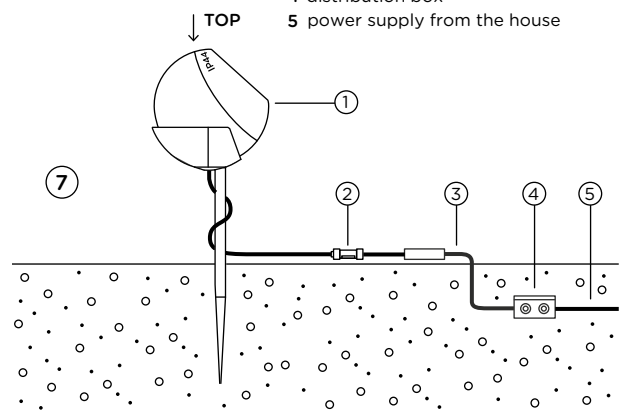
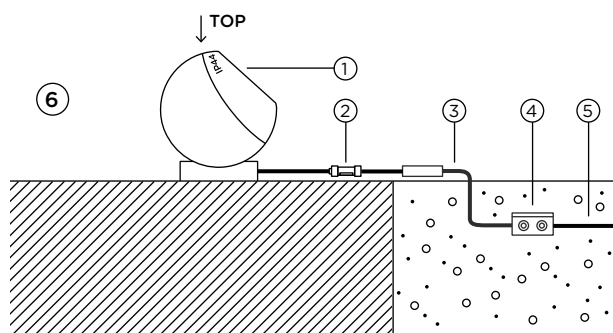
2. Bring the ball on the ring to the desired position. The IP44.de logo signals position ,TOP'. Please ensure the correct position ,TOP', so that water can flow off and that no backwater can collect in cable- and membrane tunnel. The ball should be tilted only that far, that backwater can't ingress directly into cable- and membrane tunnel – see pictures 3 + 4.
3. Provide the electrical connection between safety plug and grounded electrical socket **aboveground**. Grounded electrical sockets have to correspond to the essential protection class.
4. The safety plug signals the movability of the luminaire.

NOT PERMITTED: Removal of the safety plug – see picture 5.

NOT PERMITTED: Fixed installation and/or a connection with an earth-joint, respectively routing the cable underground. **Underground routing solely with IP44.de connect** and underground connection kit – see pictures 6 + 7.



- 1 IP44.de connect-luminaire
- 2 IP44.de connect-junction
- 3 underground cable with aqua stop
- 4 distribution box
- 5 power supply from the house



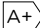
light technology:

230V Power LED / 2700K

Systemleistung:

4 Watt: 4 W/219 lm

15 Watt: 15 W/874 lm

 EEC


technical information:

operating voltage 230V / 50Hz

supply cable H05RN8-F3 G 0.75 mm²

 protection class

 safety class 1

 Luminaire is suitable for mounting on normal inflammable fixing surfaces.

 conformity mark

maintenance:

Disconnect the electrical installation.

This luminaire contains built-in LED lamps. The LED lamps can be replaced by IP44.de in case of a failure of the LED. In this case, please get in touch with your retailer.

dimming:

The luminaire can be dimmed with an approved leading- or trailing edge dimmer. Please contact IP44.de service center for a list of approved dimmers.

care:

Regularly clean luminaire from dirt and deposits. Do not use a high pressure cleaner for cleaning.

Please note care instructions at www.IP44.de.

safety:

We point out that the electric connection of light fixtures has to be done by a certified installer.

We assume no accountability for damages which are a result of non-appropriate mounting or application of the luminaire.

Modifications on the luminaire will result in loss of warranty.

assembly instruction:

The luminaire may not come into contact with highly acidic or alkaline soils, or with other aggressive substances, chemicals or fertilizers.