



ITEM
DATA SHEET

ISOLED®

DE www.isoled.de
+49 228 30 43 89 85

AT www.isoled.at
+43 5372 219 999

CH www.isoled.ch
+41 44 787 04 75

LED SURFACE MOUNTED LIGHT 40W, IP42, COLORSWITCH 3000|3500|4000K

item number: 114065
EAN: 9009377070440

product specification:

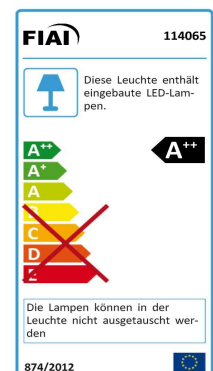
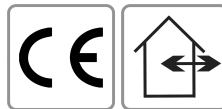
material: Aluminum
length in mm: 1190
width in mm: 80
height in mm: 36
nominal voltage: 230V AC
power rating (watt): 40
effective power (watt): 40
apparent power (VA): 42
colour temperature: 3000-4000K
angle: 120°
lumen: 4000 (100 lm/W)
candela: 1273
CRI: 80
ambient temperature: -30° - 50°
hours of operation: 30000
protection class: IP42
dimnable: no



ISOLED

For specific test reports, certifications of conformity and further product information feel free to contact our office.

enhanced product specification:





ITEM
DATA SHEET

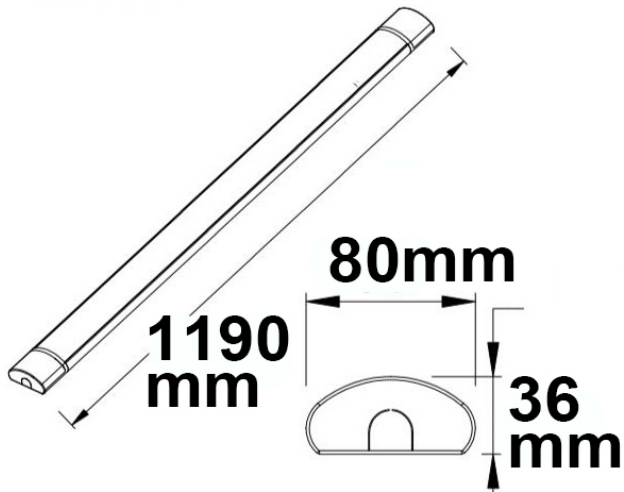
ISOLED®

DE www.isoled.de
+49 228 30 43 89 85

AT www.isoled.at
+43 5372 219 999

CH www.isoled.ch
+41 44 787 04 75

LED SURFACE MOUNTED LIGHT 40W, IP42, COLORSWITCH 3000|3500|4000K



ISOLED

ISOLED

114065 **120°** **4000lm**

2 m 318 lx Ø 6,9 m

4 m 80 lx Ø 13,9 m

8 m 20 lx Ø 27,7 m

enhanced product specification:



manual

The manual attached to the item can be downloaded from the ISOLED® shop.



LDT

light calculation file

A LDT-file for this lamp / luminaire for your light calculation with DIALUX/Relux can be found on the ISOLED® shop.



operating instructions

An enhanced manual for this product can be found online on the ISOLED® shop.