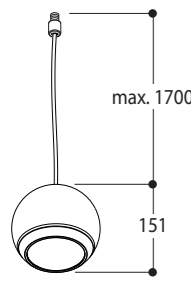
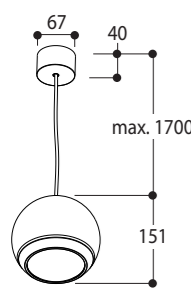
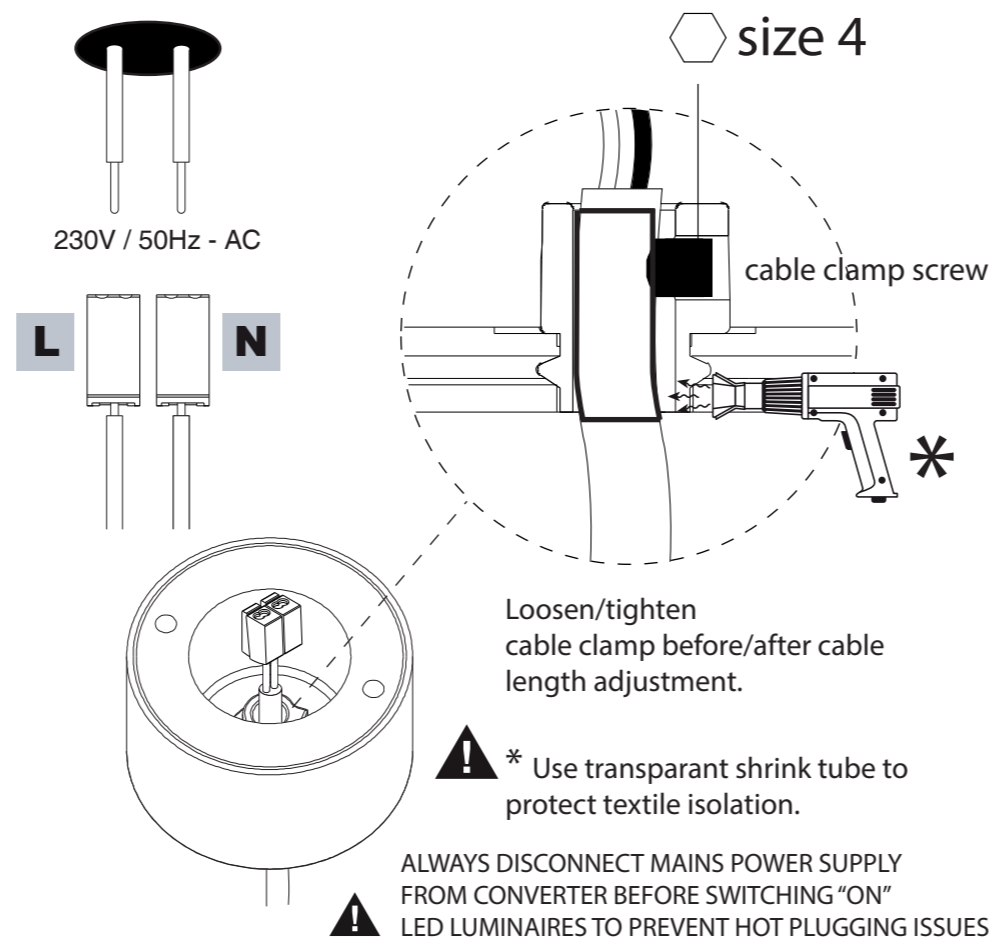


| name | BERRIER SUSPENSION NXT (+M10**) |
|-------------------------|---|
| ref | 494047 TEXTURED WHITE - MAINS RED |
| | 494020 TEXTURED WHITE + CHROME - MAINS WHITE |
| | 494034 TEXTURED RED - MAINS RED |
| | 494026 TEXTURED BLACK - MAINS RED |
| | 494019 TEXTURED BLACK + CHROME - MAINS BLACK |
| | 494096 TEXTURED BLACK + GOLD - MAINS BLACK |
| | 494094 TEXTURED WHITE + BLACK RING - MAINS PIED POULE |
| | 494095 TEXTURED BLACK + WHITE RING - MAINS PIED POULE |
| | 494001 MOON - MAINS WHITE |
| | 494016 TEXTURED BLACK - MAINS BLACK |
| | 494050 FULL CU29 - MAINS BLACK |
| | 494056 TEXTURED BLACK + CU29 RING - MAINS BLACK |
| | 494057 CU29 + BLACK RING - MAINS BLACK |
| | 494013 GOLD 24K - MAINS BLACK |
| ref | 494147 TEXTURED WHITE - MAINS RED** |
| | 494120 TEXTURED WHITE + CHROME - MAINS WHITE** |
| | 494134 TEXTURED RED - MAINS RED** |
| | 494126 TEXTURED BLACK - MAINS RED** |
| | 494119 TEXTURED BLACK + CHROME - MAINS BLACK** |
| | 494196 TEXTURED BLACK + GOLD - MAINS BLACK** |
| | 494194 TEXTURED WHITE + BLACK RING - MAINS PIED POULE** |
| | 494195 TEXTURED BLACK + WHITE RING - MAINS PIED POULE** |
| | 494101 MOON - MAINS WHITE** |
| | 494116 TEXTURED BLACK - MAINS BLACK** |
| | 494150 FULL CU29 - MAINS BLACK** |
| | 494156 TEXTURED BLACK + CU29 RING - MAINS BLACK** |
| | 494157 CU29 + BLACK RING - MAINS BLACK** |
| | 494113 GOLD 24K - MAINS BLACK** |
| safe distance to object | - 0,1m - |
| lamptype | Prevaled 1100lm (CRI 90 - 2700K - SDCM 3) |
| fitting | No fitting |
| watt | 12,7W |
| voltage | 230V AC 50Hz |
| symbol | |
| gear | None |
| ip/class | IP20 |
| application | Interior - suspended |
| orientability | Not orientable |
| dimmbility | Dimmable L or C |
| weight | |



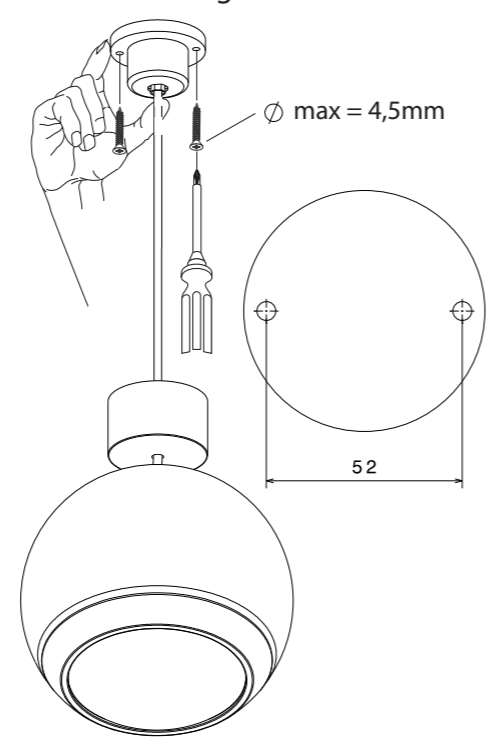
Berrier:

① Make electrical connection

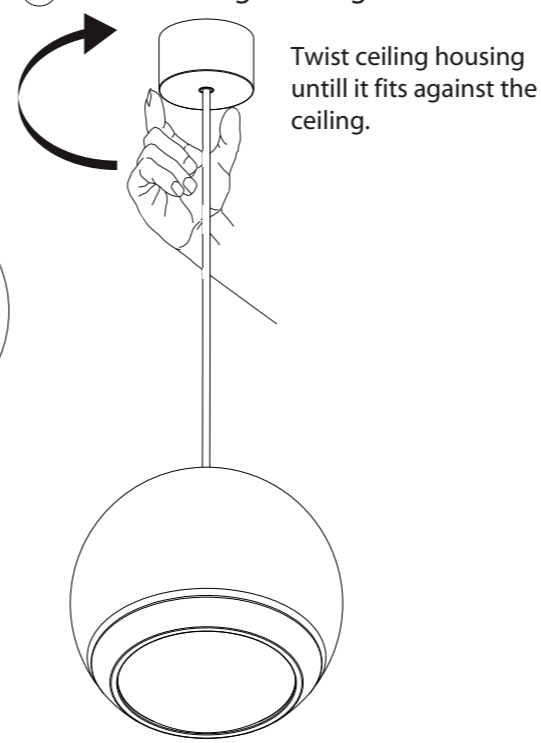


ALWAYS DISCONNECT MAINS POWER SUPPLY FROM CONVERTER BEFORE SWITCHING "ON" LED LUMINAIRES TO PREVENT HOT PLUGGING ISSUES

② Mount the ceiling bracket



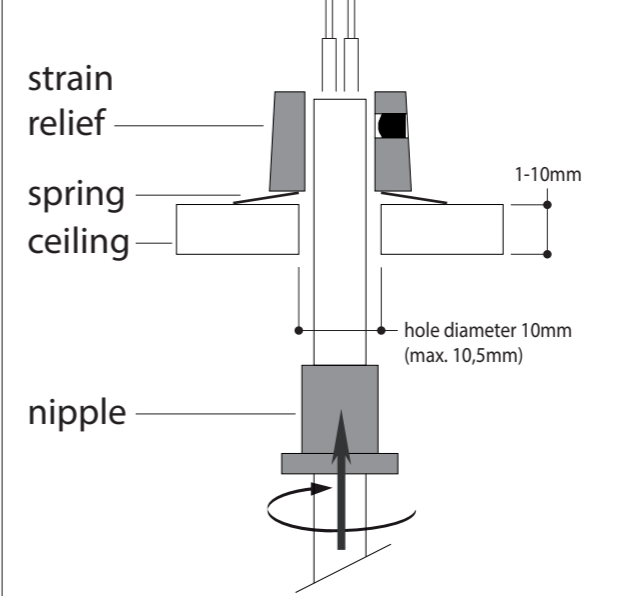
③ Fix the ceiling housing



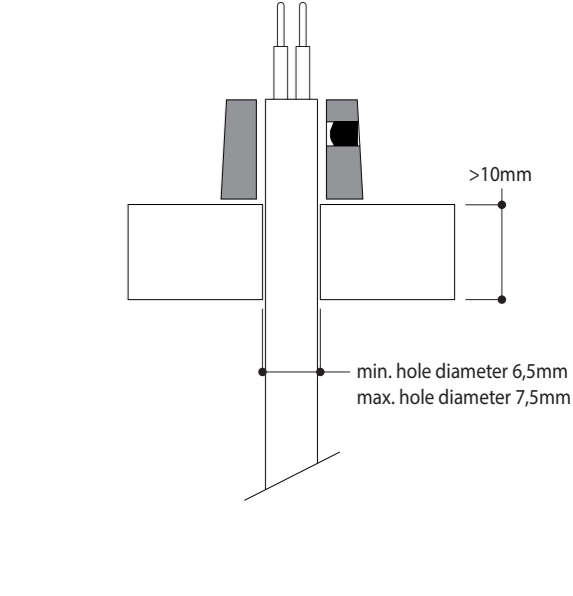
Berrier M10 with ceiling (plasterboard, metal,...) accessible from above:**

① Mount the M10 system according to ceiling type

a In case of ceiling thickness between 1-10mm use the nipple to fix the strain relief

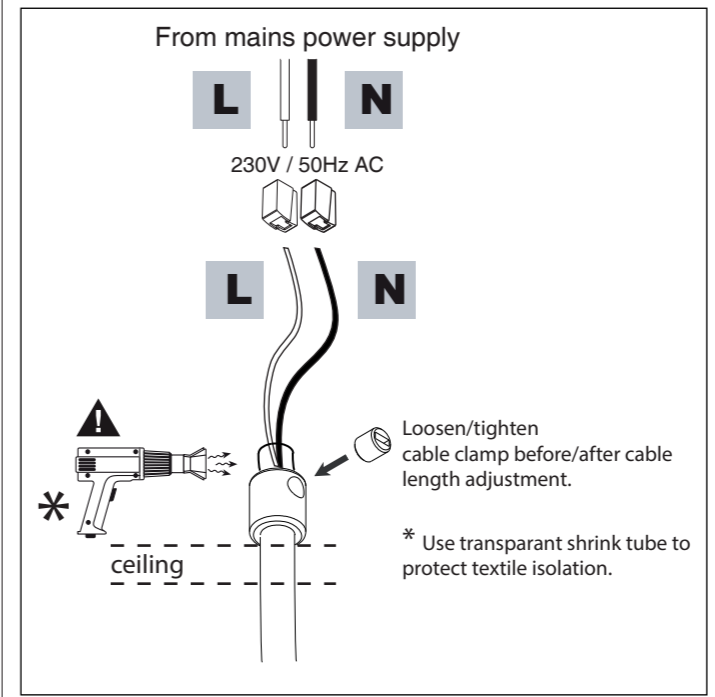


b In case of ceiling thickness bigger than 10mm use the strain relief above the ceiling (without nipple)

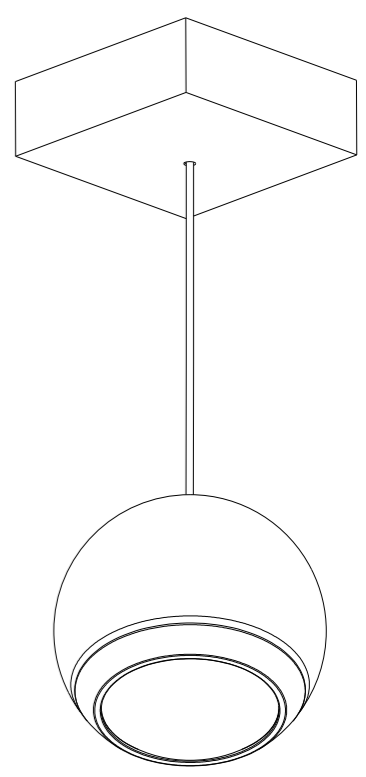


② Adjust the cable length if necessary & make electrical & mechanical connection above ceiling

ALWAYS DISCONNECT MAINS POWER SUPPLY FROM CONVERTER BEFORE SWITCHING "ON" LED LUMINAIRES TO PREVENT HOT PLUGGING ISSUES



③ Switch on mains power supply



ACCESSORIES

| | | | | | |
|--------|------------------------------|--|--------|-----------------------------------|--|
| 411937 | M10 BASE ROUND 3 TEXT. WHITE | | 375206 | M10 BASE DUO 600 TEXT. WHITE | |
| 411926 | M10 BASE ROUND 3 TEXT. BLACK | | 375236 | M10 BASE DUO 600 TEXT. BLACK | |
| | | | 375309 | M10 BASE TRIO 900 TEXT. WHITE | |
| | | | 375336 | M10 BASE TRIO 900 TEXT. BLACK | |
| 411977 | M10 BASE ROUND 7 TEXT. WHITE | | 375412 | M10 BASE QUATTRO 1200 TEXT. WHITE | |
| 411976 | M10 BASE ROUND 7 TEXT. BLACK | | 375436 | M10 BASE QUATTRO 1200 TEXT. BLACK | |

INSTALLATIE- EN ONDERHOUDSRICHTLIJNEN m.b.t. FABRIEKSGARANTIE.
 1. DE VERBINDINGEN EN HET UITTESTEN VAN DEZE TOESTELLEN DIENEN ALTIJD TE GEBEUREN DOOR EEN ERKENND ELECTRO-INSTALLATEUR.
 2. DEZE VERLICHTINGSTOESTELLEN MOETEN GE-INSTALLEERD, VERBODEN EN GETEST WORDEN VOLGENS DE NATIONAAL GELDENDE REGLEMENTEN OP DE ELECTRISCHE INSTALLATIES (BELGIE, A.R.E.I., DUITSLAND: DIN VDE 0100 TEIL 559 A2, ...; DEZE OPSOMMING IS LOUWER INFORMATIEF)
 3. DE TECHNISCHE BIJSLUITER MOET GEZIEN WORDEN ALS ONDERDEEL VAN DE ALGEMENE VERKOOPVOORWAARDEN VAN TAL N.V.
 4. DE ELECTRO-INSTALLATEUR IS VERANTWOORDELIJK VOOR HET GEBRUIKEN VAN VOORSCHAKELAPPARATUUR DIE VOLDOET AAN DE GELDENDE CE EN EMC NORMEN.
 5. VERVANG DE LAMP (-EN) ALTIJD MET DE GROOTSTE ZORG, ZE IS (ZIJN) UITERST BREEKBAAR.
 6. OPGEPAST: PLAATS NOOIT DE LAMP MET BLOTE HANDEN, GEBRUIK ALTIJD EEN DOEK!

INSTALLATION AND MAINTENANCE INSTRUCTIONS IN VIEW OF THE MANUFACTURER'S GUARANTEE.
 1. THE CONNECTION AND TESTING OF THE DEVICES SHOULD ALWAYS BE PERFORMED BY A RECOGNIZED ELECTRICIAN.
 2. THESE LIGHTING DEVICES NEED TO BE INSTALLED, CONNECTED AND TESTED FOLLOWING THE OFFICIAL NATIONAL INSTRUCTION GUIDE FOR ELECTRICAL INSTALLATIONS (BELGIUM, A.R.E.I., GERMANY: DIN VDE 0100 TEIL 559 A2, ...; THIS ENUMERATION IS JUST AN INDICATION)
 3. THIS TECHNICAL ENCLOSURE NEEDS TO BE ADDED TO THE GENERAL SALES CONDITION OF THE TAL N.V.
 4. THE ELECTRO TECHNICIAN IS RESPONSABLE TO USE BALLASTS, TRANSFORMERS,...WHICH MEET THE VALID CE AND EMC RULES.
 5. ALWAYS REPLACE THE LAMP (-S) WITH UTMOST CAUTIONSNESS, THE LAMP (-S) IS (ARE) VERY FRAGILE.
 6. ATTENTION: NEVER REPLACE THE LAMP WITH BARE HANDS, ALWAYS USE A CLOTH!

MONTAGE- UN UNTERHALT INSTRUCTIONS ZU BEACHTEN MIT BEZUG AUF DER GARANTIE.
 1. DIE MONTAGE , DER ANSCHLUSS UND DAS AUSTESTEN DER LEUCHTEN SOLL IMMER VON EINEM ZUSTAENDIGEN ELECTRO-INSTALLATEUR AUSGEFUHRT WERDEN.
 2. DIESE LEUCHTEN MUSSEN INSTALLIERT, ANGESCHLOSSEN UND GETESTET WERDEN NACH DER ALLGEMEINEN NAZIONALEN REGLEMENTATION UBER DIE ELEKTRISCHE INSTALLATIONEN (BELGIEN, A.R.E.I., DEUTSCHLAND: DIN VDE 0100 TEIL 559 A2, ...; DIESE AUFSTELLUNG GESCHICHT DURCH EXEMPLATIVEN TITEL UND KANN NICHT ALS LIMITATIV ODER EXHAUTIV BETRACHTET WERDEN).
 3. DIESE TECHNISCHE GEBRAUCHSANWEISUNG GEHORT ZU DEN ALLGEMEINEN VERKAUFSBEDINGUNGEN VON TAL N.V.
 4. DER ELECTRO-INSTALLATEUR IST VERANTWORTLICH FUR DAS VERWENDEN VON CE UND EMC GEPRUFTE VORSCHALTGERATE.
 5. DIE LAMPE(-N) SOLL(-EN) IMMER SERH VORSICHTIG ERSAETZT WERDEN.
 6. VORSICHT: MAN DARF NIE DIE LAMPE MIT DEN NACKTEN HAENDEN BERUHREN, MAN SOL IMMER EINEN TUCH BENUTZEN!