

Collide

Paolo Dell'Elce
2015 / 2023

IT – Collide è una famiglia di lampade a soffitto, da parete o a sospensione, realizzata interamente in alluminio. È formata da uno o più dischi accostati, separati dal muro da una base cilindrica che permette un effetto-alone con emissione di luce indiretta. Il design di Collide rappresenta una naturale estensione delle sorgenti luminose utilizzate: uno, due o più circuiti LED circolari a tensione di rete. Oltre al bianco, il disco esterno è disponibile su richiesta in diverse finiture naturali, satiniate o metalliche.

EN – Collide lamp comes in a complete range of wall, suspension and ceiling lamps. It is entirely manufactured in aluminum. It comes with one or more disks, separated from the wall by a cylindrical base for a halo-effect indirect lighting. Collide is the natural extension of its lighting sources; one, two or more circular LED circuits with mains voltage. The outer disk is available in standard white or, on request, in natural, satin, or metal finishes.

DE – Collide ist eine Familie aus Decken-, Wand- und Hängeleuchten, die vollständig aus Aluminium gefertigt sind. Die Leuchten bestehen aus einer oder mehreren nebeneinander angeordneten Scheiben und einen zylindrischen Sockel für die Montage an die Wand. Durch der indirekten Lichtausstrahlung entsteht einen schönen Lichtschein-Effekt. Das Design von Collide ist eine natürliche Erweiterung der verwendeten Lichtquellen: eine, zwei oder mehrere kreisförmige Hochvolt-LED-Module. Die Leuchten sind nicht nur in Weiß, sondern auch in verschiedenen Natur-, Satin- oder Metallic-Ausführungen erhältlich.

FR - Collide est une famille d'éclairages de plafond, murals ou suspendus, entièrement en aluminium. Elle est formée par un ou plusieurs disques rapprochés qui décalés du mur grâce à une base cylindrique, offrent ainsi un effet de halo avec émission de lumière indirecte. La conception de Collide représente une extension naturelle des sources lumineuses utilisées : un, deux ou plusieurs circuits LED circulaires à tension de réseau. En plus de la couleur blanche, le disque extérieur est proposé sur demande en différentes finitions naturelles, satinées ou métalliques."

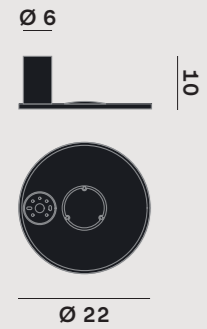
ES - Collide es una familia de lámparas de techo, de pared o suspensión, producida íntegramente en aluminio. Está formada por uno o más discos unidos, separados de la pared por una base cilíndrica que permite un efecto halo con emisión de luz indirecta. El diseño de Collide representa una extensión natural de las fuentes de luz utilizadas: uno, dos o más circuitos led circulares de tensión de red. Además del blanco, el disco exterior está disponible a pedido en diferentes acabados naturales, satinados o metálicos.







Collide H0



GENERAL

Ceiling/Wall
Surface
Phase
IP20
1.500 lumen - luminaire flux
Indoor use

LED

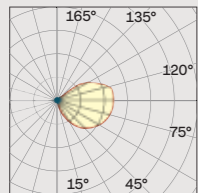
ACRICHE HV LED
2.700K, 3.000K
CRI 90
230V
Macadam step 3
LED Life L70 B50 > 50.000 h
Energy Class: F

ELECTRICAL

220-240 V 50 Hz
16W
Class 1
Driver included

OPTICAL | PHOTOMETRIC

Lighting type: Indirect
Light distribution: Asymmetric



COLOURS

Catalogue

63 Matt white

Satin Collection (upon request)

20 Graphite 33 Royal gold 43 Silver 48 Dark bronze 62 Matt black 64 Bronze 65 Champagne

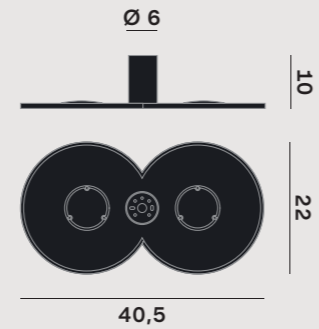
Warm Collection (upon request)

W2 Sand W4 Rope color W6 Dove-gray W8 Coffee

Metallic Collection (upon request)

14 Antique brass 19 Pelter delabrè 22 Copper delabrè 23 Gold delabrè

Collide H1



GENERAL

Ceiling/Wall
Surface
Phase
IP20
3.000 lumen - luminaire flux
Indoor use

LED

ACRICHE HV LED
2.700K, 3.000K
CRI 90
230V
Macadam step 3
LED Life L70 B50 > 50.000 h
Energy Class: F

ELECTRICAL

220-240 V 50 Hz
32W
Class 1
Driver included

OPTICAL | PHOTOMETRIC

Lighting type: Indirect
Light distribution: Symmetric

Collide H2



GENERAL

Ceiling/Wall
Surface
Phase
IP20
3.000 lumen - luminaire flux
Indoor use

LED

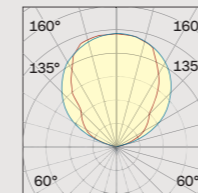
ACRICHE HV LED
2.700K, 3.000K
CRI 90
230V
Macadam step 3
LED Life L70 B50 > 50.000 h
Energy Class: F

ELECTRICAL

220-240 V 50 Hz
32W
Class 1
Driver included

OPTICAL | PHOTOMETRIC

Lighting type: Indirect
Light distribution: Symmetric



COLOURS

Catalogue

63 Matt white

Satin Collection (upon request)

20 Graphite 33 Royal gold 43 Silver 48 Dark bronze 62 Matt black 64 Bronze 65 Champagne

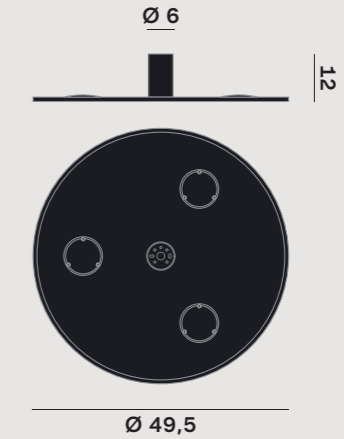
Warm Collection (upon request)

W2 Sand W4 Rope color W6 Dove-gray W8 Coffee

Metallic Collection (upon request)

14 Antique brass 19 Pelter delabrè 22 Copper delabrè 23 Gold delabrè

Collide H3



GENERAL

Ceiling/Wall
Surface
Phase
IP20
4.500 lumen - luminaire flux
Indoor use

LED

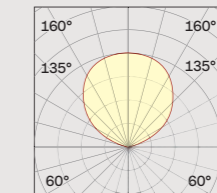
ACRICHE HV LED
2.700K, 3.000K
CRI 90
230V
Macadam step 3
LED Life L70 B50 > 50.000 h
Energy Class: F

ELECTRICAL

220-240 V 50 Hz
48W
Class 1
Driver included

OPTICAL | PHOTOMETRIC

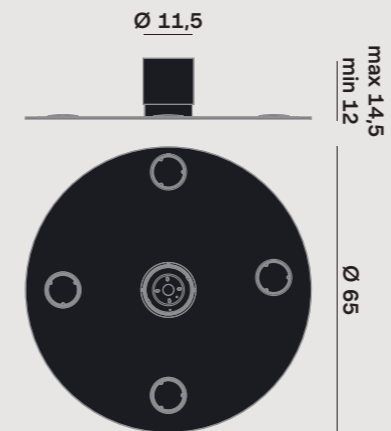
Lighting type: Indirect
Light distribution: Symmetric



Collide



Collide H4

**GENERAL**

Ceiling/Wall
Surface
Phase
IP20
6.000 lumen - luminaire flux
Indoor use

LED

ACRICHE HV LED
2.700K, 3.000K
CRI 90
230V
Macadam step 3
LED Life L70 B50 > 50.000 h
Energy Class: F

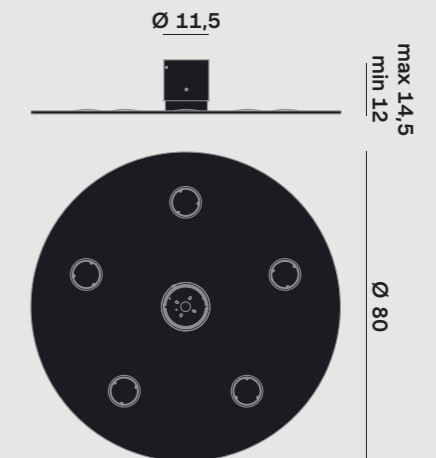
ELECTRICAL

220-240 V 50 Hz
64W
Class 1
Driver included

OPTICAL | PHOTOMETRIC

Lighting type: Indirect
Light distribution: Symmetric

Collide H5

**GENERAL**

Ceiling/Wall
Surface
Phase
IP20
7.500 lumen - luminaire flux
Indoor use

LED

ACRICHE HV LED
2.700K, 3.000K
CRI 90
230V
Macadam step 3
LED Life L70 B50 > 50.000 h
Energy Class: F

ELECTRICAL

220-240 V 50 Hz
80W
Class 1
Driver included

OPTICAL | PHOTOMETRIC

Lighting type: Indirect up + direct down
Light distribution: Symmetric

COLOURS**Catalogue**

63 Matt white

Satin Collection (upon request)

20 Graphite

33 Royal gold

43 Silver

48 Dark bronze

62 Matt black

64 Bronze

65 Champagne

Warm Collection (upon request)

W2 Sand

W4 Rope color

W6 Dove-gray

W8 Coffee

Metallic Collection (upon request)

14 Antique brass

19 Pelter delabrè

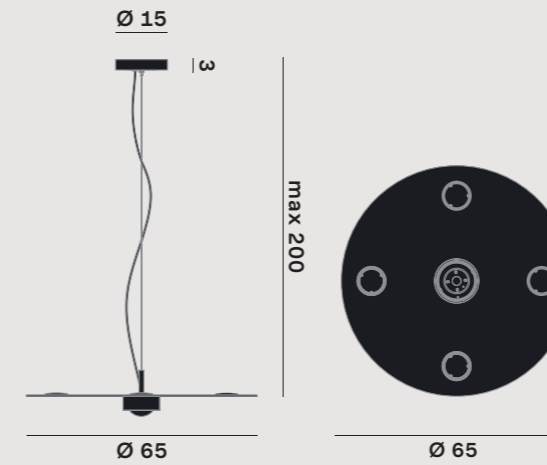
22 Copper delabrè

23 Gold delabrè

Collide



Collide H6



GENERAL

Ceiling
Suspended
Phase
IP20
up 6.000 + down 1.300 lumen - luminaire flux
Indoor use

LED

ACRICHE HV LED + COBLED
2.700K, 3.000K
CRI 90
230V
Macadam step 3
LED Life L70 B50 > 50.000 h
Energy Class: F

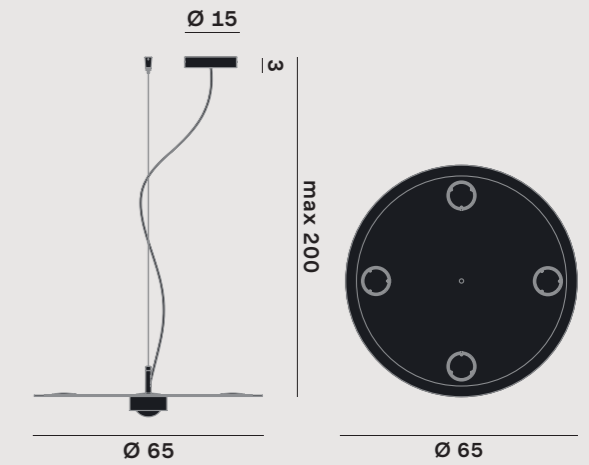
ELECTRICAL

220-240 V 50 Hz
80W
Class 1
Driver included

OPTICAL | PHOTOMETRIC

Lighting type: Indirect up + direct down
Light distribution: Symmetric

Collide H6 D



GENERAL

Ceiling
Suspended
Phase
IP20
up 6.000 + down 1.300 lumen - luminaire flux
Indoor use

LED

ACRICHE HV LED + COBLED
2.700K, 3.000K
CRI 90
230V
Macadam step 3
LED Life L70 B50 > 50.000 h
Energy Class: F

ELECTRICAL

220-240 V 50 Hz
80W
Class 1
Driver included

OPTICAL | PHOTOMETRIC

Lighting type: Indirect up + direct down
Light distribution: Symmetric

COLOURS

Catalogue

63 Matt white

Satin Collection (upon request)

20 Graphite

33 Royal gold

43 Silver

48 Dark bronze

62 Matt black

64 Bronze

65 Champagne

Warm Collection (upon request)

W2 Sand

W4 Rope color

W6 Dove-gray

W8 Coffee

Metallic Collection (upon request)

14 Antique brass

19 Pelter delabrè

22 Copper delabrè

23 Gold delabrè