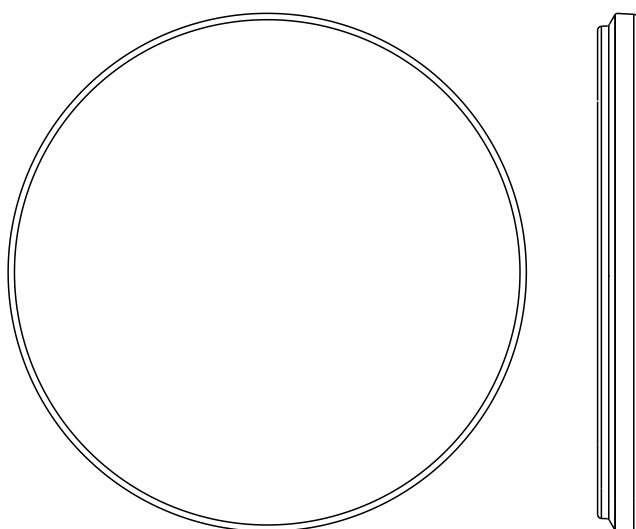


CLARA

Designed by Piero Lissoni, 2014

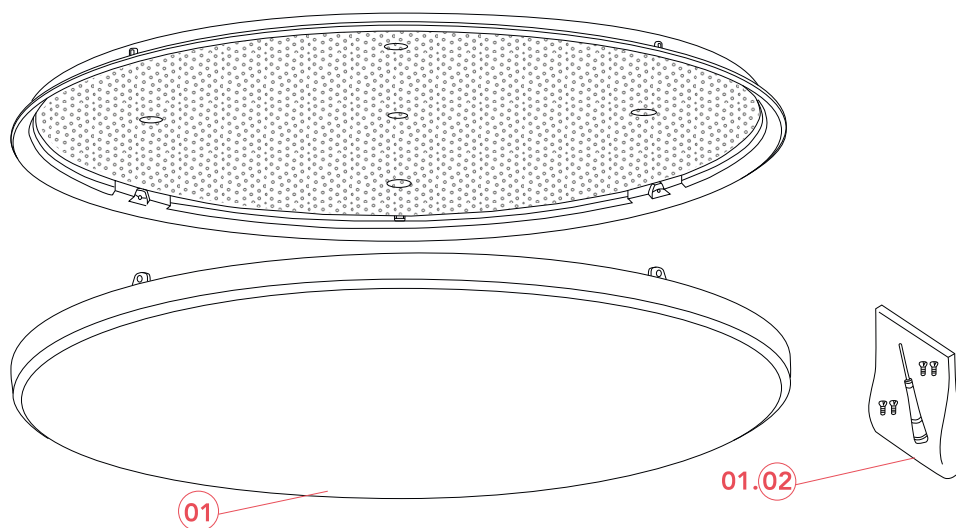
F1570009



CLARA

F1570009

EN



01. RF1570200 – Diffuser

02. RF1570100 – Kit of n. 4 diff. screws & hexagonal screwdriver

CLARA F1570009

EN

RF1570200

DIFFUSER



WARNING! When installing and whenever acting on the appliance, ensure that the power supply has been switched off.
For the installation of the spare-part, it is necessary to consult a qualified electrician.

©2021 Flos - All rights reserved - www.flos.com
Flos reserves the right to introduce any changes to its own models, without prior notice.

CLARA F1570009

EN

RF1570200

DIFFUSER

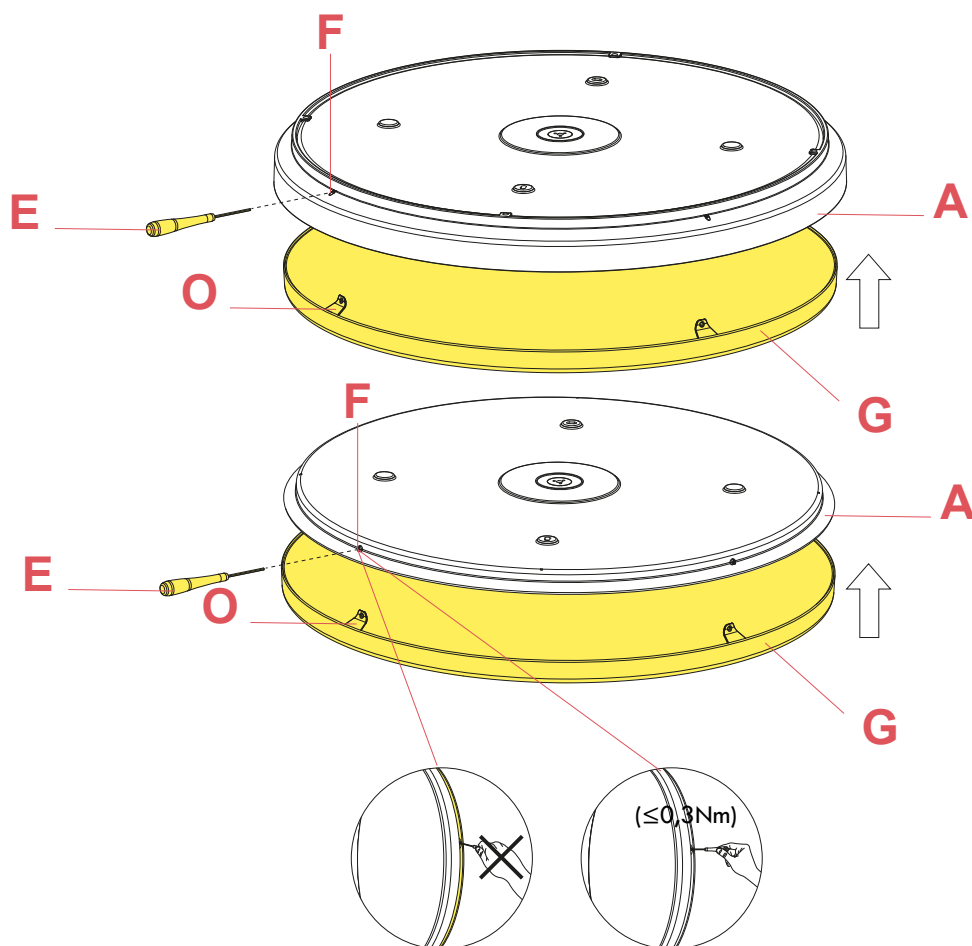


Fig.1

Assemble the diffuser (G) on the body (A) matching the diffuser's four tabs (O) with the holes in the body and re-screwing the four dowel pins (F) with the screwdriver provided.

REMARKS!!! we recommend screwing the dowel pins (F) without forcing ($\leq 0,3\text{Nm}$) them using the screwdriver (E) provided.

WARNING! When installing and whenever acting on the appliance, ensure that the power supply has been switched off.
For the installation of the spare-part, it is necessary to consult a qualified electrician.

©2021 Flos - All rights reserved - www.flos.com
Flos reserves the right to introduce any changes to its own models, without prior notice.

CLARA F1570009

EN

RF1570100

KIT OF N.4 SCREWS & HEXAGONAL SCREWDRIVER



WARNING! When installing and whenever acting on the appliance, ensure that the power supply has been switched off.
For the installation of the spare-part, it is necessary to consult a qualified electrician.

©2021 Flos - All rights reserved - www.flos.com
Flos reserves the right to introduce any changes to its own models, without prior notice.

CLARA F1570009

EN

RF1570100

KIT OF N.4 SCREWS & HEXAGONAL SCREWDRIVER

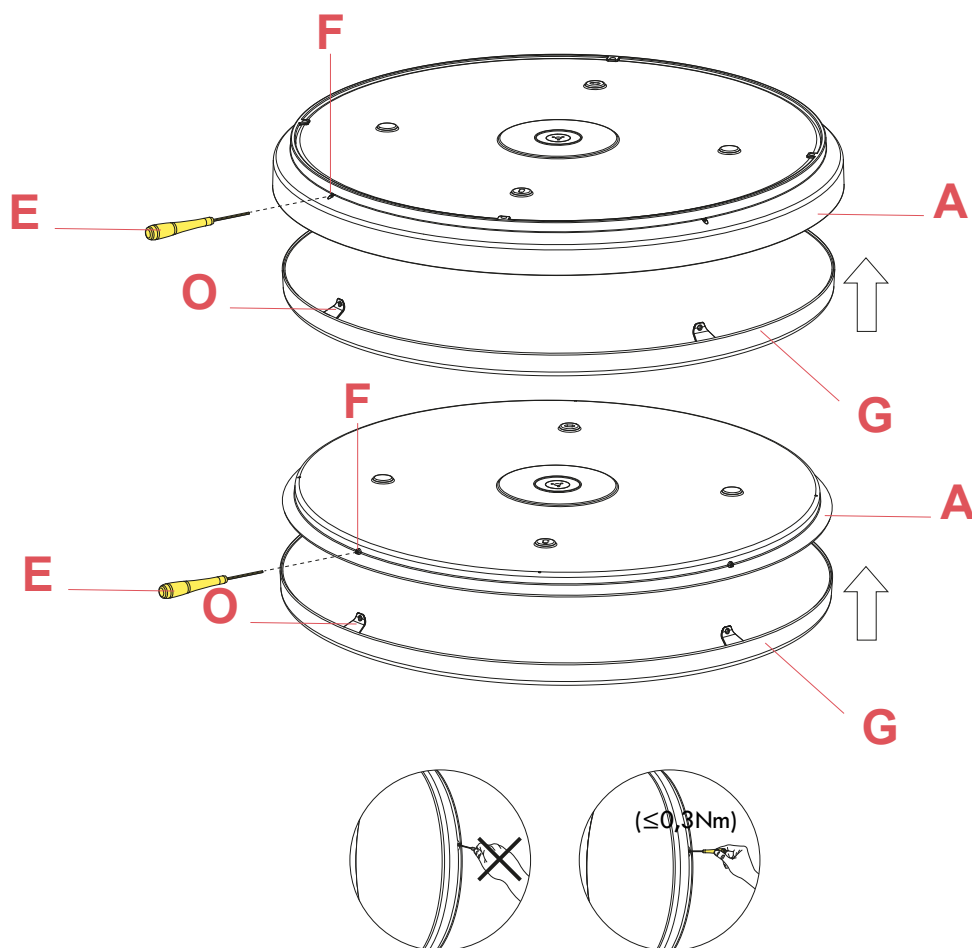


Fig.1

Assemble the diffuser (G) on the body (A) matching the diffuser's four tabs (O) with the holes in the body and re-screwing the four dowel pins (F) with the screwdriver provided.

REMARKS!!! we recommend screwing the dowel pins (F) without forcing ($\leq 0,3\text{Nm}$) them using the screwdriver (E) provided.

WARNING! When installing and whenever acting on the appliance, ensure that the power supply has been switched off.
For the installation of the spare-part, it is necessary to consult a qualified electrician.

©2021 Flos - All rights reserved - www.flos.com
Flos reserves the right to introduce any changes to its own models, without prior notice.