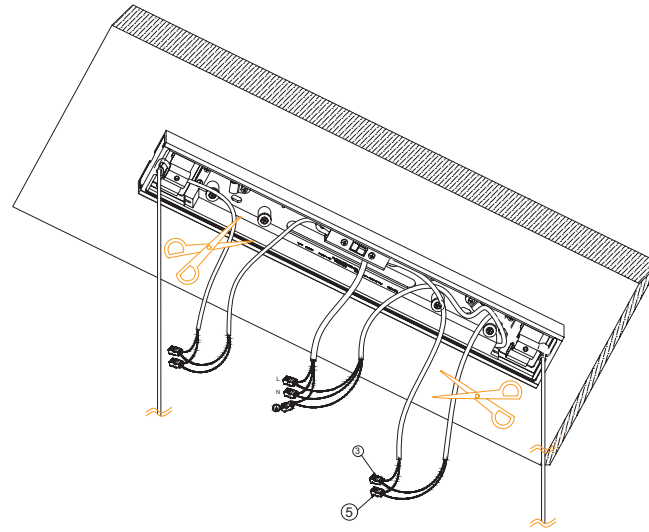


How to shorten the wire

NOTE: In case of any doubt, please contact the qualified electrician.



General use

- NOTE: The ceiling/lamp base can be used as installation box.
- The product is designed for indoor use only.
- The lamp gets hot after prolonged use, therefore, do not cover the product.

Cleaning instructions

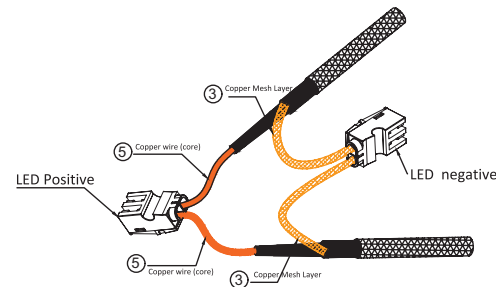
- Before cleaning, ensure that the power supply is switched off.
- Wipe surface of lamp shade with a soft cloth.
- Do not use any abrasive cleaning tools such as steel wool, scouring sponges or stiff brushes.
- Never use strong cleaning agents such as white spirit, household glass cleaner or cellulose thinners.

Safety precautions

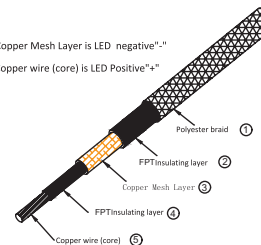
- The appliance should be installed, connected and tested by qualified electrician and in accordance with local regulations.
- Turn off the power supply before installation or maintenance of the lamp, and make sure that the cables are not squeezed or damaged by sharp edges during installation.
- The lamp should not be covered by insulation blankets or similar materials.

SLIM

User Instructions



- ③ Copper Mesh Layer is LED "negative"-
- ⑤ Copper wire (core) is LED Positive"+



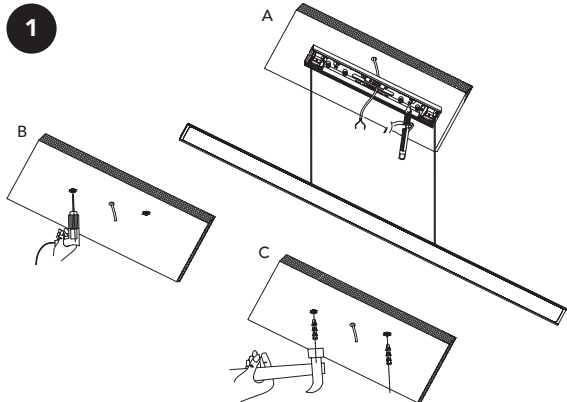
International warranty

Your product has gone through rigorous testing in order to live up to the highest quality standards. It therefore carries a 7-year warranty from the date of the original retail purchase receipt, covering defects in materials and workmanship when used normally in accordance with the published LIGHT-POINT guidelines.

These guidelines include but are not limited to information contained in technical specifications, safety instructions and quick start guides. LIGHT-POINT is not responsible for damage arising from failure to follow instructions relating to the use of the product.

LIGHT-POINT is a registered trademark of NORDIC LIVING GROUP.

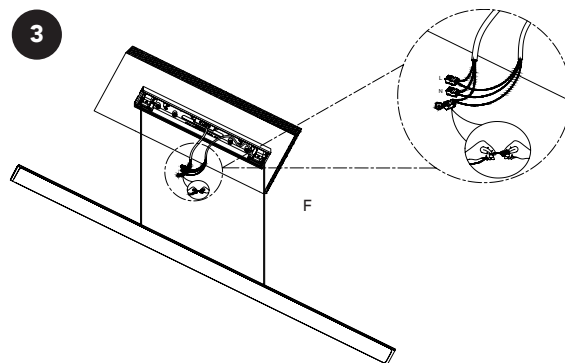
For more information, please visit
LIGHT-POINT.COM



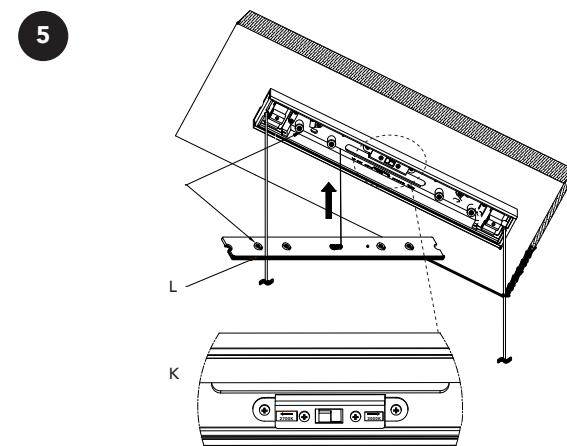
Installation instructions

NOTE: Before installing, make sure the power supply is switched off.

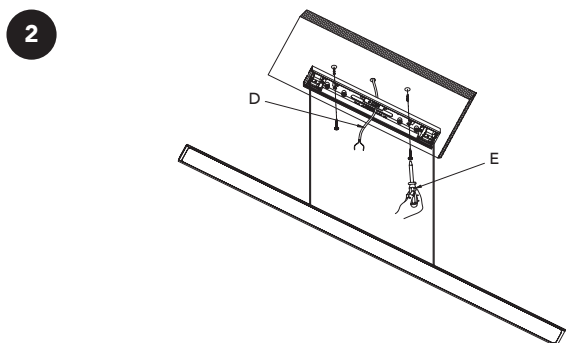
- A** Fix the ceiling plate on the wall and mark the position of the installation hole with a pen.
- B** Drill the hole position with Ø5 drill bit.
- C** Fit the screw anchors in the mounting holes.



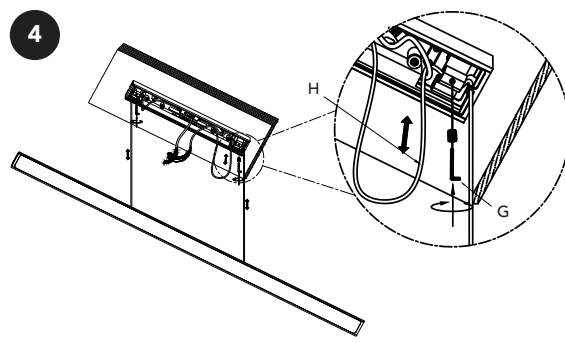
- F** Connect the power cord and the input line of the lamp body into the terminal according to the identification to fix it.



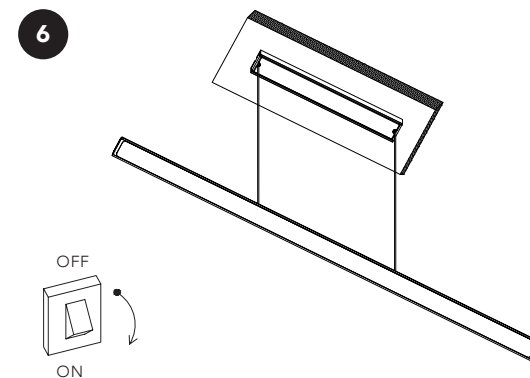
- K** Choose between 2700K or 3000K.
- L** Then fix the decorative cover plate to the magnet position.
- M** Turn on the main power switch.



- D** Put the wall power cord into the ceiling.
- E** Then fix the mounting screw to the mounting position.



- G** Loosen the fixing screw of the wire with an allen key.
- H** Adjust the wire up and down to the right position.
- J** Loosen the wire fixing screw with an allen key. Then tighten the wire screw to fix it.



- N** Installation is complete.