

SLIM Collection

The SLIM collection is contemporary classic defined by our characteristic LIGHT-POINT design language. The collection has a quiet beauty rooted in the Danish design tradition.

General use

- NOTE: The ceiling/lamp base can be used as installation box.
- The product is designed for indoor use only.
- The lamp gets hot after prolonged use, therefore, do not cover the product.

Cleaning instructions

- Before cleaning, ensure that the power supply is switched off.
- Wipe surface of lamp shade with a soft cloth.
- Do not use any abrasive cleaning tools such as steel wool, scouring sponges or stiff brushes.
- Never use strong cleaning agents such as white spirit, household glass cleaner or cellulose thinners.

Safety precautions

- The appliance should be installed, connected and tested by qualified electrician and in accordance with local regulations.
- Turn off the power supply before installation or maintenance of the lamp, and make sure that the cables are not squeezed or damaged by sharp edges during installation.
- The lamp should not be covered by insulation blankets or similar materials.

SLIM User Instructions



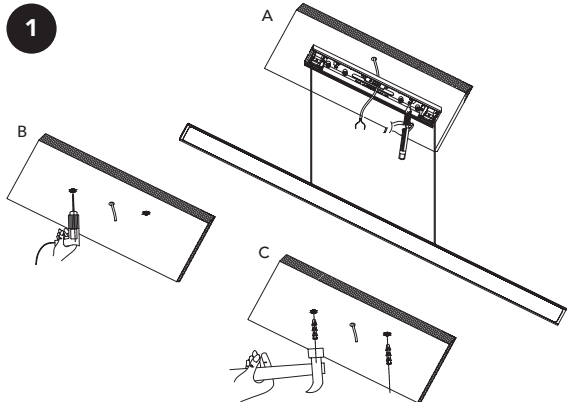
International warranty

Your product has gone through rigorous testing in order to live up to the highest quality standards. It therefore carries a 7-year warranty from the date of the original retail purchase receipt, covering defects in materials and workmanship when used normally in accordance with the published LIGHT-POINT guidelines.

These guidelines include but are not limited to information contained in technical specifications, safety instructions and quick start guides. LIGHT-POINT is not responsible for damage arising from failure to follow instructions relating to the use of the product.

LIGHT-POINT is a registered trademark of NORDIC LIVING GROUP.

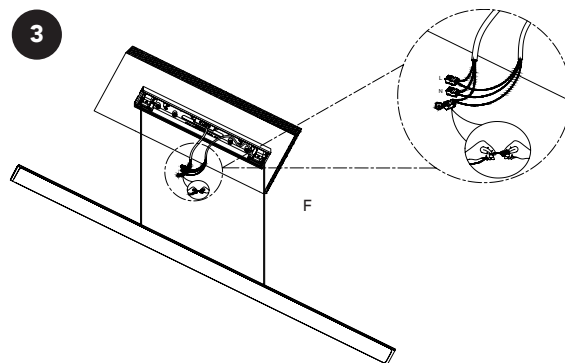
For more information, please visit
LIGHT-POINT.COM



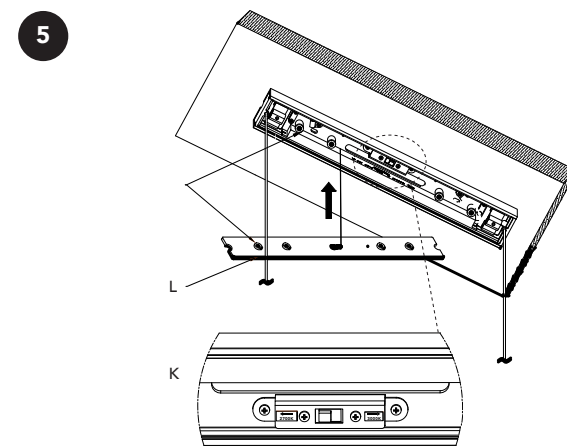
Installation instructions

NOTE: Before installing, make sure the power supply is switched off.

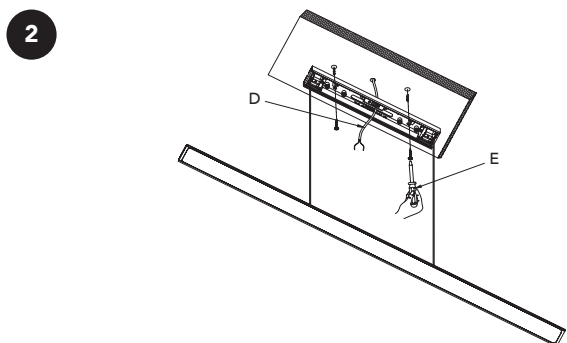
- A** Fix the ceiling plate on the wall and mark the position of the installation hole with a pen.
- B** Drill the hole position with Ø5 drill bit.
- C** Fit the screw anchors in the mounting holes.



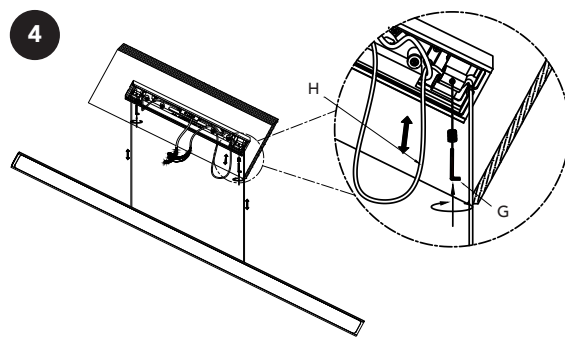
- F** Connect the power cord and the input line of the lamp body into the terminal according to the identification to fix it.



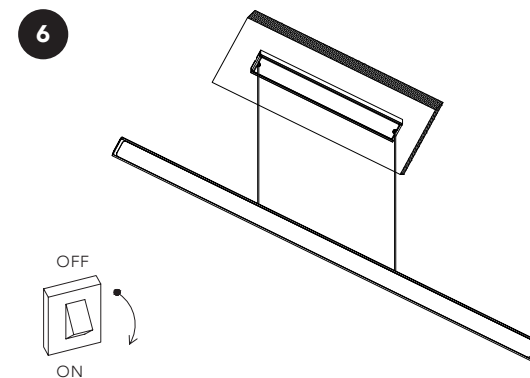
- K** Choose between 2700K or 3000K.
- L** Then fix the decorative cover plate to the magnet position.
- M** Turn on the main power switch.



- D** Put the wall power cord into the ceiling.
- E** Then fix the mounting screw to the mounting position.



- G** Loosen the fixing screw of the wire with an allen key.
- H** Adjust the wire up and down to the right position.
- J** Loosen the wire fixing screw with an allen key. Then tighten the wire screw to fix it.



- N** Installation is complete.